

Form 18253 Revised
March, 1929
PRINTED IN U. S. A.

LIST OF PARTS



MACHINES
Nos. 58-1 to 58-5, 58-9,
58-11, 58-12 and 58-15

** A TRADE MARK OF
THE SINGER MANUFACTURING COMPANY

NO.	PLATE	NAME
2049	1407	Button Carrier Bar Connection Joint Pin
14026	1406	" " " " Pin
21512	1406	" " Holder with 209F
2049	1407	" " " Pin
209F	1406	" " " Set Screw
172F	1406	" " Screw
21513	1402	" Feed Lever
802c	1414	" " " Hinge Screw
1887	—	" " " Roller and Screw Stud
1906	1415	" " " " " " "
		1887 with 1520E and 14017
1520E	1414	Button Feed Lever Roller and Screw Stud Nut
14017	1413	Button Feed Lever Roller and Screw Stud Nut Washer
21592	1406	Button Gauge
171F	1406	" " Set Screw
21514	1405	" Guide
21515	1405	" " Block
21516	1405	" " " Dowel Pin
141F	1405	" " " Screw
207F	1405	" " Screw
21517	1413	" " Spring
219F	1414	" " " Screw
7071	1405	" " " " Washer
942D	1405	" Guiding Screw
21518	1405	" Receiving Guide (left)
21519	1405	" " " (right)
207F	1405	" " " Screw
21520	1413	" Retaining Spring
190D	1407	" " " Screw
7071	1405	" " " " Washer
21594	1406	" Shank Adjusting Piece
197F	1406	" " " " Screw
21521	1401	Chute Cover with two 21522
21522	1413	" " Adjusting Stud
207F	1405	" " " " Set Screw
21523	1401	" Frame
171F	1406	" Screw
21524	1405	" Support Bracket
21525	—	Chute complete, Nos. 190D, 219F, 21517, 21520, 21521, 21523 and two each 207F and 7071
12108	1400	Crank Connecting Rod with 4349 and two 158E
*4349	—	Crank Connecting Rod Cap
158E	1414	" " " " Screw

NO.	PLATE	NAME
375c	1408	Crank Connecting Rod Hinge Screw
1518E	1408	" " " " " Nut
3032	1402	Feed Cam with 446c
446c	1414	" " Set Screw
3033	1408	" Connecting Link
375c	1408	" " " Hinge Screw
1518E	1408	" " " " " Nut
21526	1411	" Dog
6458	1408	" " Carrier
225c	1411	" " Screw
21527	1400	" Forked Connection
375c	1408	" " " Hinge Screw
1518E	1408	" " " " " Nut
21655	1421	" Regulating Fork with two 448c
448c	1407	" " " Set Screw
21529	1407	" " " Sliding Block
21530	1407	" Regulator with 190D and 1920
190D	1407	" " Clamping Screw
21656	1421	" " Crank Shaft
21657	1421	" " " " Bushing
448c	1407	" " " " " Set Screw
2049	1407	Feed Regulator Dowel Pin
21532	1407	" " Hinge Pin
6533	1407	" " " " Collar with 460c
460c	1407	Feed Regulator Hinge Pin Collar Set Screw
1920	1407	Feed Regulator Roller and Stud
21533	1407	" " Slide with 21529
943D	1407	" " Thumb Screw
6533	1407	" " " " Collar with 460c
460c	1407	Feed Regulator Thumb Screw Collar Set Screw
21534	—	Feed Regulator complete, Nos. 943D, 2049, 21530, 21532, 21533 and two 6533
21535	1400	Feed Rock Shaft
21536	1408	" " " Crank with 190D
156c	1408	" " " " Position Screw
190D	1407	" " " " Set Screw
43509	1416	Hopper Base with 2273 and 50024E
944F	1414	" " Screw
21538	—	" Brush
21539	1402	" " Carrier
21540	1412	" " " Pawl
946D	1412	" " " " Hinge Screw

NO.	PLATE	NAME
21541	1412	Hopper Brush Carrier Pawl Spring.....
103D	1412	" " " " " Screw
21542	1402	" " " Shaft.....
21543	1405	" " " " Collar with 450c.....
450c	1405	Hopper Brush Carrier Shaft Collar Set Screw.....
21544	1402	Hopper Brush Carrier Shaft Worm Wheel with two 448c.....
448c	1407	Hopper Brush Carrier Shaft Worm Wheel Set Screw.....
21545	1402	Hopper Brush Carrier Worm with 445c and 888c.....
888c	1415	Hopper Brush Carrier Worm Position Screw.....
445c	1414	Hopper Brush Carrier Worm Set Screw..
43511	1420	" Gate.....
50024E	1415	" " Screw Stud.....
2273	1427	" " " " Pin.....
1538D	1415	" " Thumb Nut.....
21547	1416	" Rim.....
217J	1432	" " Screw.....
43510	—	Hopper complete, Nos. 103D, 141E, 942D, 946D, 1538D, 21514, 21515, 21518, 21519, 21525, 21539 to 21544, 21547, 43509, 43511, two each 171E, 21516, six 21538 and eight 217J.....
21549	1401	Needle Bar with 857c.....
*3045	1408	" " Connecting Link.....
377c	1408	" " " " Hinge Screw
1518E	1408	" " " " " " "
		Nut.....
21629	1408	Needle Bar Connecting Stud with 155c....
155c	1408	" " " " " Set Screw....
21550	1402	" " Frame.....
21551	1402	" " " Driving Lever.....
802c	1414	" " " " " Hinge Screw.....
1887	—	Needle Bar Frame Driving Lever Roller and Screw Stud.....
1906	1415	Needle Bar Frame Driving Lever Roller and Screw Stud 1887 with 1520E and 14017.....
1520E	1414	Needle Bar Frame Driving Lever Roller and Screw Stud Nut.....
14017	1413	Needle Bar Frame Driving Lever Roller and Screw Stud Nut Washer.....

NO.	PLATE	NAME
21552	1402	Needle Bar Frame Pitman.....
377c	1408	" " " " " Hinge Screw
1518E	1408	" " " " " " "
		Nut.....
577c	1414	Needle Bar Frame Screw Centre (lower)
1517E	1414	" " " " " " "
		Nut.....
945F	1414	Needle Bar Frame Screw Centre (upper)
1517D	1414	" " " " " " "
		Nut.....
21553	1413	Needle Bar Frame Thread Eyelet.....
219D	1443	" " " " " " Screw
21554	1413	" " Thread Eyelet.....
665D	1414	" " " " " Screw.....
857c	1414	" Set Screw.....
*21555	1402	Oscillating Rock Shaft.....
21630	—	" " " 21555 with 4784 and 12388.....
12388	1402	Oscillating Rock Shaft Hinge Pin.....
448c	1407	" " " " " Set Screw
4784	1413	" " " " Oil Pad.....
21556	1400	" Shaft.....
21557	1410	" " Crank with 460c and 1921.....
2049	1407	Oscillating Shaft Crank Pin.....
1921	1415	" " " Roller and Stud..
460c	1407	" " " Set Screw.....
21619	1401	Presser Bar.....
21559	1406	" " Lifting Bracket with 446c....
446c	1414	" " " " Set Screw....
43728	1437	" " " Lever with 119c, 1528J and 1810.....
119c	1415	Presser Bar Lifting Lever Adjusting Screw
1528J	1414	" " " " " " "
		Nut.....
65c	1414	Presser Bar Lifting Lever Hinge Screw....
1810	1415	" " " " Roller and Stud
21586	1400	" " " " Spring.....
191c	1414	" " " " " Screw.....
21709	1420	" " " " (intermediate) with 1419c, 1521E, 1611E and 21710....
21700	1426	Presser Bar Lifting Lever (intermediate) Hinge Stud.....
448c	1407	Presser Bar Lifting Lever (intermediate) Hinge Stud Set Screw.....
1419c	1426	Presser Bar Lifting Lever (intermediate) Trip Stud.....

NO.	PLATE	NAME
1070c	1415	Stop Cam Interlocking Rod Guide Set Screw.....
14277	1426	Stop Cam Interlocking Rod Guide Washer (rawhide).....
21651	1419	Stop Cam Interlocking Rod Spring.....
913c	1432	" " " " " Regulating Thumb Screw.....
1638E	1432	Stop Cam Interlocking Rod Spring Regulating Thumb Screw Nut.....
21652	1421	Stop Cam Pin.....
21615	1404	" " Spring (long).....
21616	1404	" " " (short).....
21653	1419	" " " Cover.....
997E	1415	" " " " Screw.....
21617	1408	" " " Stop Block.....
871E	1414	" " " " " Screw.....
2921	1412	Tension Disc.....
1560c	1412	" " Regulating Thumb Nut.....
20037	1412	" " Releaser.....
21606	1412	" " Releasing Lever.....
90D	1412	" " " " Hinge Screw.....
413c	1412	" " Screw Stud.....
2923	1412	" " Spring.....
12149	1412	" " Thread Guard.....
21577	1413	Thread Eyelet (side of arm).....
52454	1468	" " Retainer.....
50429c	1468	" " " Set Screw.....
*43764	—	" " Take-up Cam.....
21578	1402	" " " 43764 with 446c.....
3012	1413	" " " Pin.....
446c	1414	" " " Set Screw.....
*21579	1412	" " " Lever with 1819.....
43673	—	" " " 21579 with 76c.....
76c	1412	" " " Hinge Screw.....
1819	1412	" " " Roller and Stud.....
8511	1412	" " " Spring.....
7336	1412	" " " Regulator.....
448c	1407	" " " " Set Screw.....
21618	1411	Throat Plate for 21526.....
691F	1411	" " " Screw.....
21583	1400	Trip Lever.....
24D	1414	" " " Hinge Screw.....
13224	1413	" " " Spring.....

MACHINE No. 58-2

FOR LARGE BUTTONS. MAKES TWELVE STITCHES IN BUTTON SHANK. NINE STITCHES BETWEEN BUTTONS. GREATEST DISTANCE BETWEEN BUTTONS, 1½ INCHES.

FOR OVERGAITERS

(OBSOLETE)

This Machine is the same as 58-1, with the following exceptions:

NO.	PLATE	NAME
21588	1403	Stitch Forming Cam, 2 $\frac{5}{8}$ in. diam. (21 teeth) with 457c and 21584, in place of 21573.....
21660	1419	Stitch Forming Cam Driver, in place of 21659.....
21708	1419	Stitch Forming Cam Driver Cam with 448c and 765c, in place of 21575.....

SINGER Needles should be used in SINGER Machines. These Needles and their Containers are marked with the Company's Trade Mark "SIMANCO. **" 1

Needles in Containers marked "FOR SINGER MACHINES" are NOT **SINGER** made needles. 2

**LIST OF PARTS COMPLETE
FOR
MACHINE No. 58-3**

**FOR SHOE BUTTONS. MAKES TWELVE STITCHES IN BUT-
TON SHANK, NINE STITCHES BETWEEN BUTTONS.
GREATEST DISTANCE BETWEEN BUTTONS, 1½ INCHES.
(OBSOLETE)**

NO.	PLATE	NAME
*21501	—	Arm and Cylinder with 21503.....
21633	1416	" Shaft.....
*21503	—	" " Bushing (front).....
21634	1419	" " Flanged Bushing (back).....
437c	1415	" " " " " Adjust- ing Screw.....
1517E	1415	Arm Shaft Flanged Bushing (back) Ad- justing Screw Nut.....
448c	1407	Arm Shaft Flanged Bushing (back) Set Screw.....
1069D	1415	Arm Shaft Screw.....
21595	1406	Button Carrier.....
21505	1401	" " Bar.....
21506	1405	" " " Collar with 457c....
457c	1405	" " " " Set Screw.....
21507	1402	" " " Connecting Rod.....
21508	—	" " " " " 21507 with 14026 and 21510.....
21509	1406	Button Carrier Bar Connecting Rod Ad- justing Collar with 207K.....
207K	1405	Button Carrier Bar Connecting Rod Ad- justing Collar Set Screw.....
3100	1401	Button Carrier Bar Connecting Rod Spring.....
21509	1406	Button Carrier Bar Connecting Rod Spring Collar with 207K.....
207K	1405	Button Carrier Bar Connecting Rod Spring Collar Set Screw.....
21510	1406	Button Carrier Bar Connection.....
646F	1406	" " " " Hinge Screw.....
21511	1406	" " " " Joint with 157D.....
157D	1406	Button Carrier Bar Connection Joint Clamping Screw.....

NO.	PLATE	NAME
2049	1407	Button Carrier Bar Connection Joint Pin
14026	1406	" " " " Pin.....
21512	1406	" " Holder with 209F.....
2049	1407	" " " Pin.....
209F	1406	" " " Set Screw.....
172F	1406	" " Screw.....
21513	1402	" Feed Lever.....
802c	1414	" " " Hinge Screw.....
1887	—	" " " Roller and Screw Stud
1906	1415	" " " " " " "
		1887 with 1520E and 14017.....
1520E	1414	Button Feed Lever Roller and Screw Stud Nut.....
14017	1413	Button Feed Lever Roller and Screw Stud Nut Washer.....
21596	1405	Button Guide.....
21597	1405	" " Adjusting Block.....
133F	1405	" " Screw.....
7071	1405	" " " Washer.....
21598	1413	" Guiding Spring.....
219F	1414	" " " Screw.....
7071	1405	" " " " Washer...
21594	1406	" Shank Adjusting Piece.....
197F	1406	" " " " Screw....
21599	1405	" Switch Stud.....
460c	1407	" " " Set Screw.....
21600	1401	Chute Cover with two 21522.....
21522	1413	" " Adjusting Stud.....
207F	1405	" " " " Set Screw...
21523	1401	" Frame.....
171F	1406	" Screw.....
21524	1405	" Support Bracket.....
207D	1405	" " " Screw.....
7071	1405	" " " " Washer...
21601	—	Chute complete, Nos. 219F, 7071, 21523, 21598, 21600 and two 207F.....
12108	1400	Crank Connecting Rod with 4349 and two 158E.....
*4349	—	Crank Connecting Rod Cap.....
158E	1414	" " " " Screw.....
375c	1408	" " " " Hinge Screw.....
1518E	1408	" " " " " Nut
3032	1402	Feed Cam with 446c.....
446c	1414	" " Set Screw.....
3033	1408	" Connecting Link.....
375c	1408	" " " Hinge Screw.....
1518E	1408	" " " " " Nut

NO.	PLATE	NAME
577c	1414	Needle Bar Frame Screw Centre (lower)
1517E	1414	" " " " " "
		Nut.....
945F	1414	Needle Bar Frame Screw Centre (upper)
1517D	1414	" " " " " "
		Nut.....
21553	1413	Needle Bar Frame Thread Eyelet.....
219D	1443	" " " " " Screw.....
21554	1413	" " Thread Eyelet.....
665D	1414	" " " " Screw.....
857c	1414	" Set Screw.....
*21555	1402	Oscillating Rock Shaft.....
21630	—	" " " 21555 with 4784 and 12388.....
12388	1402	Oscillating Rock Shaft Hinge Pin.....
448c	1407	" " " " " Set Screw.....
4784	1413	" " " Oil Pad.....
21556	1400	" Shaft.....
21557	1410	" " Crank with 460c and 1921.....
2049	1407	Oscillating Shaft Crank Pin.....
1921	1415	" " " Roller and Stud.....
460c	1407	" " " Set Screw.....
21619	1401	Presser Bar.....
21559	1406	" " Lifting Bracket with 446c.....
446c	1414	" " " " Set Screw.....
43728	1437	" " " Lever with 119c, 1528j and 1810.....
119c	1415	Presser Bar Lifting Lever Adjusting Screw.....
1528j	1414	" " " " " "
		Nut.....
65c	1414	Presser Bar Lifting Lever Hinge Screw.....
1810	1415	" " " " Roller and Stud.....
21586	1400	" " " " Spring.....
191c	1414	" " " " " Screw.....
21709	1420	" " " " (intermediate) with 1419c, 1521E, 1611E and 21710....
21700	1426	Presser Bar Lifting Lever (intermediate) Hinge Stud.....
448c	1407	Presser Bar Lifting Lever (intermediate) Hinge Stud Set Screw.....
1419c	1426	Presser Bar Lifting Lever (intermediate) Trip Stud.....
1521E	1426	Presser Bar Lifting Lever (intermediate) Trip Stud Lock Nut.....
1611E	1426	Presser Bar Lifting Lever (intermediate) Trip Stud Nut.....

NO.	PLATE	NAME
21710	1426	Presser Bar Lifting Lever (intermediate) Trip Stud Spring.....
11167	1401	Presser Bar Spring.....
11170	1413	" " " Washer.....
43514	—	" Foot Body with 233D and 43515..
43515	1428	" " Button Guide.....
233D	1428	" " " " Screw.....
43516	1428	Presser Foot complete, Nos. 197F, 21594 and 43514.....
21631	—	Presser Foot Body.....
21632	1421	Presser Foot complete, for small round buttons, for export, Nos. 197F, 21594 and 21631.....
172c	1406	Presser Foot Screw.....
688j	1415	Pressure Regulating Thumb Screw.....
66085	1473	Pulley (loose).....
21639	1419	" (tight).....
21640	—	Pulley (tight) complete, Nos. 871E, 21615 to 21617, 21639, 21647, 21653 and two 997E.....
23668	1426	Pulley (tight) Pin.....
21641	—	Pulleys complete, Nos. 21640 and 66085..
2996	1410	Shuttle Bobbin.....
62739	—	" " Case.....
15140	1410	" " " Latch.....
2973	1410	" " " " Lever.....
2974	1410	" " " " " Fulcrum Pin.....
2975	1410	Shuttle Bobbin Case Latch Spring.....
592E	1410	" " " " Stop Screw...
15141	1410	Shuttle Bobbin Case Hinge, Nos. 2973, 2974 and 15140.....
15027	1410	Shuttle Bobbin Case Position Finger.....
2523	1410	" " " " " Rivet.....
15277	1410	Shuttle Bobbin Case complete, Nos. 591E, 592E, 2523, 2975, 15027, 15141, 15278 and 62739.....
21562	1410	Shuttle Body.....
591F	1410	" Tension Regulating Screw.....
15278	1410	" " Spring.....
21561	1410	Shuttle, 1 $\frac{1}{8}$ in. diam., Nos. 2996, 15277 and 21562.....
21563	1410	Shuttle Driver and Feed Lifting Cam....
2049	1407	" " " " " " Pin.....
21622	—	" Race Body.....
21623	1409	" " Cap.....
662D	1409	" " " Screw.....

**LIST OF PARTS COMPLETE
FOR
MACHINE No. 58-4**

**FOR SHOE BUTTONS. MAKES TWELVE STITCHES IN BUT-
TON SHANK, FOUR FASTENING STITCHES. NO STITCHES
BETWEEN BUTTONS.**

(OBSOLETE)

NO.	PLATE	NAME
*21701	—	Arm and Cylinder with 21503.....
21633	1416	" Shaft.....
*21503	—	" " Bushing (front).....
21634	1419	" " Flanged Bushing (back).....
437c	1415	" " " " Adjust- ing Screw.....
1517E	1415	Arm Shaft Flanged Bushing (back) Ad- justing Screw Nut.....
448c	1407	Arm Shaft Flanged Bushing (back) Set Screw.....
1069D	1415	Arm Shaft Screw.....
21595	1406	Button Carrier.....
21505	1401	" " Bar.....
21506	1405	" " " Collar with 457c.....
457c	1405	" " " " Set Screw.....
21507	1402	" " " Connecting Rod.....
21508	—	" " " " " 21507 with 14026 and 21510.....
21509	1406	Button Carrier Bar Connecting Rod Ad- justing Collar with 207κ.....
207κ	1405	Button Carrier Bar Connecting Rod Ad- justing Collar Set Screw.....
3100	1401	Button Carrier Bar Connecting Rod Spring
21509	1406	" " " " " "
		Collar with 207κ.....
207κ	1405	Button Carrier Bar Connecting Rod Spring Collar Set Screw.....
21510	1406	Button Carrier Bar Connection.....
646F	1406	" " " " Hinge Screw
21511	1406	" " " " Joint with 157D.....
157D	1406	Button Carrier Bar Connection Joint Clamping Screw.....

NO.	PLATE	NAME
2049	1407	Button Carrier Bar Connection Joint Pin
14026	1406	" " " " Pin.....
21512	1406	" " Holder with 209F.....
2049	1407	" " " Pin.....
209F	1406	" " " Set Screw.....
172F	1406	" " Screw.....
21513	1402	" Feed Lever.....
802C	1414	" " " Hinge Screw.....
1887	—	" " " Roller and Screw Stud
1906	1415	" " " " " "
		1887 with 1520E and 14017.....
1520E	1414	Button Feed Lever Roller and Screw Stud Nut.....
14017	1413	Button Feed Lever Roller and Screw Stud Nut Washer.....
21596	1405	Button Guide.....
21597	1405	" " Adjusting Block.....
133F	1405	" " Screw.....
7071	1405	" " " Washer.....
21598	1413	" Guiding Spring.....
219F	1414	" " " Screw.....
7071	1405	" " " Washer....
21594	1406	" Shank Adjusting Piece.....
197F	1406	" " " " Screw....
21599	1405	" Switch Stud.....
460C	1407	" " " Set Screw.....
21600	1401	Chute Cover with two 21522.....
21522	1413	" " Adjusting Stud.....
207F	1405	" " " " Set Screw..
21523	1401	" Frame.....
171F	1406	" Screw.....
21524	1405	" Support Bracket.....
207D	1405	" " " Screw.....
7071	1405	" " " " Washer...
21601	—	Chute complete, Nos. 219F, 7071, 21523, 21598, 21600 and two 207F.....
12108	1400	Crank Connecting Rod with 4349 and two 158E.....
*4349	—	Crank Connecting Rod Cap.....
158E	1414	" " " " Screw.....
375c	1408	" " " Hinge Screw.....
1518E	1408	" " " " Nut
43512	1424	Hopper Base with 2273, 50024E and two each 460c and 21599.....
944F	1414	Hopper Base Screw.....
21538	—	" Brush.....
21539	1402	" " Carrier.....

NO.	PLATE	NAME
21540	1412	Hopper Brush Carrier Pawl.....
946d	1412	" " " " Hinge Screw
21541	1412	" " " " Spring
103d	1412	" " " " " Screw
21542	1402	" " " " Shaft.....
21543	1405	" " " " Collar with 450c.....
450c	1405	Hopper Brush Carrier Shaft Collar Set Screw.....
21544	1402	Hopper Brush Carrier Shaft Worm Wheel with two 448c.....
448c	1407	Hopper Brush Carrier Shaft Worm Wheel Set Screw.....
21545	1402	Hopper Brush Carrier Worm with 445c and 888c.....
888c	1415	Hopper Brush Carrier Worm Position Screw.....
445c	1414	Hopper Brush Carrier Worm Set Screw..
21603	1413	" " Lifter.....
43511	1420	" Gate.....
50024E	1415	" " Screw Stud.....
2273	1427	" " " " Pin.....
1538d	1415	" " Thumb Nut.....
21604	1416	" Rim.....
217j	1432	" " Screw.....
43513	----	Hopper complete, Nos. 103b, 133E, 946d, 1538d, 7071, 21539 to 21544, 21596, 21597, 21601, 21604, 43511, 43512, two each 171E, 21603, four 217j and six 21538
21549	1401	Needle Bar with 857c.....
*3045	1408	" " Connecting Link.....
377c	1408	" " " " Hinge Screw
1518E	1408	" " " " " " "
		Nut.....
21629	1408	Needle Bar Connecting Stud with 155c..
155c	1408	" " " " Set Screw..
21550	1402	" " Frame.....
21551	1402	" " " Driving Lever.....
802c	1414	" " " " " Hinge Screw.....
1887	----	Needle Bar Frame Driving Lever Roller and Screw Stud.....
1906	1415	Needle Bar Frame Driving Lever Roller and Screw Stud 1887 with 1520E and 14017.....
1520E	1414	Needle Bar Frame Driving Lever Roller and Screw Stud Nut.....

NO.	PLATE	NAME
14017	1413	Needle Bar Frame Driving Lever Roller and Screw Stud Nut Washer.....
21552	1402	Needle Bar Frame Pitman.....
377c	1408	" " " " Hinge Screw..
1518E	1408	" " " " " " Nut
577c	1414	" " " " Screw Centre (lower)
1517E	1414	" " " " " " "
		Nut.....
945F	1414	Needle Bar Frame Screw Centre (upper)
1517d	1414	" " " " " " "
		Nut.....
21553	1413	Needle Bar Frame Thread Eyelet.....
219d	1443	" " " " " " Screw..
21554	1413	" " Thread Eyelet.....
665d	1414	" " " " Screw.....
21702	1428	" Plate.....
691F	1411	" " Screw.....
857c	1414	" Set Screw.....
*21555	1402	Oscillating Rock Shaft.....
21630	----	" " " 21555 with 4784 and 12388.....
12388	1402	Oscillating Rock Shaft Hinge Pin.....
448c	1407	" " " " " Set Screw
4784	1413	" " " Oil Pad.....
21556	1400	" Shaft.....
21557	1410	" " Crank with 460c and 1921.....
2049	1407	Oscillating Shaft Crank Pin.....
1921	1415	" " " Roller and Stud
460c	1407	" " " Set Screw.....
21619	1401	Presser Bar.....
21559	1406	" " Lifting Bracket with 446c..
446c	1414	" " " " Set Screw..
43728	1437	" " " Lever with 119c, 1528j and 1810.....
119c	1415	Presser Bar Lifting Lever Adjusting Screw
1528j	1414	" " " " " "
		Nut.....
65c	1414	Presser Bar Lifting Lever Hinge Screw ..
1810	1415	" " " " Roller and Stud
21586	1400	" " " " Spring.....
191c	1414	" " " " " Screw..
21709	1420	" " " " (intermediate) with 1419c, 1521E, 1611E and 21710 ..
21700	1426	Presser Bar Lifting Lever (intermediate) Hinge Stud.....

NO.	PLATE	NAME
448c	1407	Presser Bar Lifting Lever (intermediate) Hinge Stud Set Screw.....
1419c	1426	Presser Bar Lifting Lever (intermediate) Trip Stud.....
1521E	1426	Presser Bar Lifting Lever (intermediate) Trip Stud Lock Nut.....
1611E	1426	Presser Bar Lifting Lever (intermediate) Trip Stud Nut.....
21710	1426	Presser Bar Lifting Lever (intermediate) Trip Stud Spring.....
11167	1401	Presser Bar Spring.....
11170	1413	" " " Washer.....
43514	—	" Foot Body with 233D and 43515...
43515	1428	" " Button Guide.....
233D	1428	" " " " Screw.....
43516	1428	Presser Foot complete, Nos. 197F, 21594 and 43514.....
21631	—	Presser Foot Body.....
21632	1421	Presser Foot complete, for small round buttons, for export, Nos. 197F, 21594 and 21631.....
172c	1406	Presser Foot Screw.....
688J	1415	Pressure Regulating Thumb Screw.....
66085	1473	Pulley (loose).....
21639	1419	" (tight).....
21640	—	Pulley (tight) complete, Nos. 871E, 21615 to 21617, 21639, 21647, 21653 and two 997E.....
23668	1426	Pulley (tight) Pin.....
21641	—	Pulleys complete, Nos. 21640 and 66085...
2996	1410	Shuttle Bobbin.....
62739	—	" " Case.....
15140	1410	" " " Latch.....
2973	1410	" " " " Lever.....
2974	1410	" " " " " Fulcrum Pin.....
2975	1410	Shuttle Bobbin Case Latch Spring.....
592E	1410	" " " " Stop Screw...
15141	1410	Shuttle Bobbin Case Hinge, Nos. 2973, 2974 and 15140.....
15027	1410	Shuttle Bobbin Case Position Finger.....
2523	1410	" " " " " Rivet
15277	1410	Shuttle Bobbin Case complete, Nos. 591E, 592E, 2523, 2975, 15027, 15141, 15278 and 62739.....
21562	1410	Shuttle Body.....
591F	1410	" Tension Regulating Screw.....

NO.	PLATE	NAME
15278	1410	Shuttle Tension Spring.....
21561	1410	Shuttle, 1 $\frac{1}{8}$ in. diam., Nos. 2996, 15277 and 21562.....
21563	1410	Shuttle Driver and Feed Lifting Cam...
2049	1407	" " " " " " Pin
21622	—	" Race Body.....
21623	1409	" " Cap.....
662D	1409	" " " Screw.....
2523	1410	" " " Steady Pin.....
21624	1409	" " Ring.....
2532	1409	" " " Position Pin.....
2533	1409	" " " Spring.....
648D	1409	" " " " Screw.....
21625	1409	Shuttle Race (flexible) complete, Nos. 648D, 662D, 2523, 2533, 21622 to 21624 and two 2532.....
171F	1406	Shuttle Race Screw.....
21642	1416	Starting Lever.....
21646	—	Starting Lever complete, Nos. 717c, 913c, 1520E, 1638E, 14206, 21642, 21643, 21645, 21649, 21651, 43583, two each 159F, 399F and three 14277.....
21643	1421	Starting Lever Belt Shifter.....
159F	1414	" " " " Set Screw....
21644	1416	" " Bracket.....
8582	1413	" " " Dowel Pin.....
123E	1415	" " " Screw.....
21645	1421	" " Cushion (rawhide).....
399F	1415	" " " Screw.....
564c	1415	" " Screw Centre.....
1508E	1415	" " " Nut.....
14174	1404	" " Spring.....
717c	1415	" " Stop Screw.....
1520E	1414	" " " " Nut.....
14206	1413	" " Trip Stud.....
159F	1414	" " " " Set Screw.....
21610	1403	Stitch Forming Cam, 2 $\frac{3}{4}$ in. diam. (17 teeth) with 457c and 21584.....
14250	1419	Stitch Forming Cam Driver.....
21707	1419	" " " " Cam with 448c and 765c.....
765c	1415	Stitch Forming Cam Driver Cam Position Screw.....
448c	1407	Stitch Forming Cam Driver Cam Set Screw.....
14253	1426	Stitch Forming Cam Driver Sliding Block

NO.	PLATE	NAME
810E	1426	Stitch Forming Cam Driver Sliding Block Cap Screw
21584	1413	Stitch Forming Cam Trip Stud
457c	1405	" " " " " Set Screw
21647	1419	Stop Cam with 21652
43583	1420	" " Interlocking Rod
21649	1421	" " " " Guide with 1070c
1070c	1415	Stop Cam Interlocking Rod Guide Set Screw
14277	1426	Stop Cam Interlocking Rod Guide Washer (rawhide)
21651	1419	Stop Cam Interlocking Rod Spring
913c	1432	" " " " " Regu- lating Thumb Screw
1638E	1432	Stop Cam Interlocking Rod Spring Regu- lating Thumb Screw Nut
21652	1421	Stop Cam Pin
21615	1404	" " Spring (long)
21616	1404	" " " (short)
21653	1419	" " " Cover
997E	1415	" " " " Screw
21617	1408	" " " Stop Block
871E	1414	" " " " " Screw
2921	1412	Tension Disc
1560c	1412	" Regulating Thumb Nut
20037	1412	" Releaser
21606	1412	" Releasing Lever
90b	1412	" " " Hinge Screw
413c	1412	" Screw Stud
2923	1412	" Spring
12149	1412	" Thread Guard
21706	1428	Thread Cutter
1053b	1428	" " " Screw
21577	1413	" Eyelet (side of arm)
52454	1468	" Retainer
50429c	1468	" " " Set Screw
*43764	—	" Take-up Cam
21578	1402	" " " 43764 with 446c
3012	1413	" " " Pin
446c	1414	" " " Set Screw
*21579	1412	" " " Lever with 1819
43673	—	" " " 21579 with 76c
76c	1412	" " " Hinge Screw
1819	1412	" " " Roller and Stud
8511	1412	" " " Spring
7336	1412	" " " Regulator

NO.	PLATE	NAME
448c	1407	Thread Take-up Spring Regulator Set Screw
21583	1400	Trip Lever
24d	1414	" " Hinge Screw
13224	1413	" " Spring

MACHINE No. 58-5

FOR SHOE BUTTONS. MAKES TEN STITCHES IN BUTTON
SHANK, SEVEN STITCHES BETWEEN BUTTONS. GREATEST
DISTANCE BETWEEN BUTTONS, 1¼ INCHES.

(OBSOLETE)

This Machine is the same as 58-3, with the
following exceptions:

NO.	PLATE	NAME
21620	1403	Stitch Forming Cam, 2 $\frac{3}{4}$ in. diam. (17 teeth) with 457c and 21584, in place of 21588
14250	1419	Stitch Forming Cam Driver, in place of 21660
21707	1419	Stitch Forming Cam Driver Cam with 448c and 765c, in place of 21708

SINGER Needles should be used
in SINGER Machines.
These Needles and their Containers
are marked with the
Company's Trade Mark "SIMANCO.***" 1

Needles in Containers marked
"FOR SINGER MACHINES"
are NOT **SINGER** made needles. 2

LIST OF PARTS COMPLETE
FOR
MACHINE No. 58-9

**FOR REGULAR AND MILO SHOE BUTTONS. HAS AUTOMATIC
ADJUSTABLE BUTTON CARRIER FOR DIFFERENT SIZE
BUTTONS. MAKES TWELVE STITCHES IN THE BUTTON
SHANK AND FOUR FASTENING STITCHES. NO STITCHES
BETWEEN BUTTONS.**

(OBSOLETE)

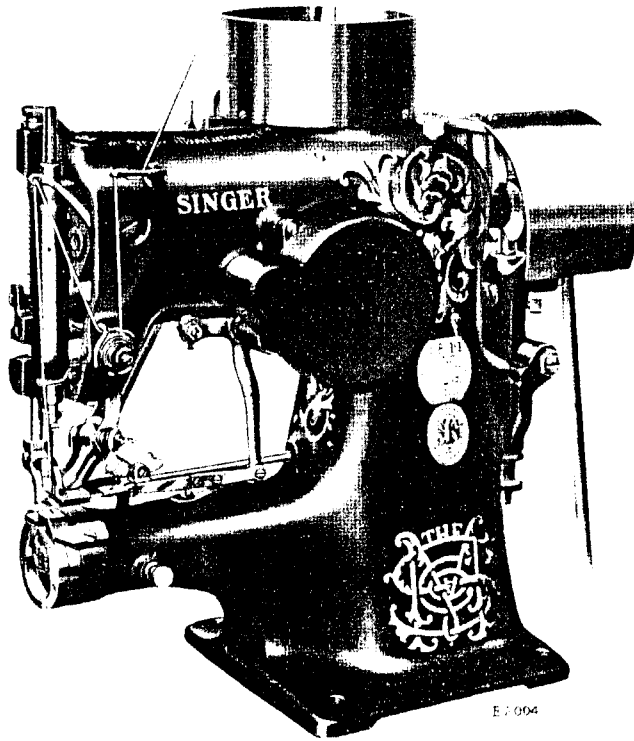
NO.	PLATE	NAME
*43550	---	Arm and Cylinder with 21503.....
21633	1416	" Shaft.....
*21503	---	" " Bushing (front).....
21634	1419	" " Flanged Bushing (back).....
437c	1415	" " " " Adjusting Screw.....
1517E	1415	Arm Shaft Flanged Bushing (back) Adjusting Screw Nut.....
448c	1407	Arm Shaft Flanged Bushing (back) Set Screw.....
1069D	1415	Arm Shaft Screw.....
23373	1424	Belt Cover.....
43584	1424	" " Bracket with 871E and 43585
871E	1414	" " " Screw Stud.....
43585	1426	" " " Stud.....
217F	1436	" " Screw.....
43579	1428	Button Carrier.....
43580	1428	Button Carrier complete, Nos. 90D, 228D, 11193, 43579, 43581 and 43582.....
43581	1428	Button Carrier Adjusting Lever.....
90D	1428	" " " " Hinge Screw
1961	1428	" " " " Roller and Screw Stud with 1521E and 9525.....
1521E	1428	Button Carrier Adjusting Lever Roller and Screw Stud Nut.....
9525	1428	Button Carrier Adjusting Lever Roller and Screw Stud Nut Washer.....
43582	1428	Button Carrier Adjusting Lever Spring.....
228D	1428	" " " " " Screw
11193	1428	" " " " Stop Pin
21505	1401	" " Bar.....
21506	1405	" " " Collar with 457c.....
457c	1405	" " " " Set Screw.....

NO.	PLATE	NAME
43586	---	Button Carrier Bar Connecting Rod.....
43587	1425	" " " " " 43586 with 14026 and 43557.....
1518E	1408	Button Carrier Bar Connecting Rod Lock Nut.....
1721E	1425	Button Carrier Bar Connecting Rod Nut..
3100	1401	" " " " " Spring
43556	1425	" " " " " " Collar with two 207K.....
207K	1405	Button Carrier Bar Connecting Rod Spring Collar Set Screw.....
43669	1469	Button Carrier Bar Connecting Rod Stop with 643E, 1518E and 43670.....
43670	1469	Button Carrier Bar Connecting Rod Stop Stud.....
643E	1469	Button Carrier Bar Connecting Rod Stop Adjusting Screw.....
1518E	1408	Button Carrier Bar Connecting Rod Stop Adjusting Screw Nut.....
418c	1407	Button Carrier Bar Connecting Rod Stop Set Screw.....
43557	1425	Button Carrier Bar Connection.....
646F	1406	" " " " Hinge Screw
43558	1425	" " " " Joint with 157D.....
157D	1406	Button Carrier Bar Connection Joint Clamping Screw.....
2019	1407	Button Carrier Bar Connection Joint Pin
14026	1406	" " " " Pin.....
43520	1425	" " " Stop with 1253c.....
1253c	1425	" " " " Clamping Screw
43521	1425	" " Holder with 209F.....
2049	1407	" " " Pin.....
209F	1406	" " " Set Screw.....
172F	1406	" " Screw.....
21513	1402	" Feed Lever.....
802c	1414	" " " Hinge Screw.....
1887	---	" " " Roller and Screw Stud
1906	1415	" " " " " " " " 1887 with 1520E and 14017.....
1520E	1414	Button Feed Lever Roller and Screw Stud Nut.....
14017	1413	Button Feed Lever Roller and Screw Stud Nut Washer.....
43588	1425	Button Guide with 43589 and two 1053D
21597	1405	" " Adjusting Block.....
43589	1425	" " Extension.....

NO.	PLATE	NAME
43535	1429	Needle Bar Frame Pitman Connection (lever end).....
191F	1414	Needle Bar Frame Pitman Connection Screw.....
43536	1429	Needle Bar Frame Pitman (adjustable) complete, Nos. 43534, 43535 and two 191F.....
377c	1408	Needle Bar Frame Pitman Hinge Screw
1518E	1408	" " " " " " " " Nut.....
577c	1414	Needle Bar Frame Screw Centre (lower) ..
1517E	1414	" " " " " " " Nut
945F	1414	" " " " " " (upper) ..
1517D	1414	" " " " " " " Nut
21553	1413	" " " " Thread Eyelet.....
219D	1443	" " " " " " Screw ..
21554	1413	" " Thread Eyelet.....
665D	1414	" " " " " " Screw.....
43575	1427	" Plate with 43547 and two 1053D... ..
691F	1411	" " " " " " Screw.....
857c	1414	" " " " " " Set Screw.....
*21555	1402	Oscillating Rock Shaft.....
21630	—	" " " " 21555 with 4784 and 12388.....
12388	1402	Oscillating Rock Shaft Hinge Pin.....
448c	1407	" " " " " " Set Screw
4784	1413	" " " " " " Oil Pad.....
21556	1400	" " " " " " Shaft.....
21557	1410	" " " " " " Crank with 460c and 1921
2049	1407	" " " " " " Pin.....
1921	1415	" " " " " " Roller and Stud...
460c	1407	" " " " " " Set Screw.....
43576	1429	Presser Bar.....
21559	1406	" " " " " " Lifting Bracket with 446c...
446c	1414	" " " " " " " " Set Screw...
43728	1437	" " " " " " Lever with 119c, 1528J and 1810.....
119c	1415	Presser Bar Lifting Lever Adjusting Screw
1528J	1414	" " " " " " " " " " Nut.....
65c	1414	Presser Bar Lifting Lever Hinge Screw...
1810	1415	" " " " " " Roller and Stud
21586	1400	" " " " " " Spring.....
191c	1414	" " " " " " " " Screw...
21709	1420	" " " " " " (intermediate) with 1419c, 1521E, 1611E and 21710...

NO.	PLATE	NAME
21700	1426	Presser Bar Lifting Lever (intermediate) Hinge Stud.....
448c	1407	Presser Bar Lifting Lever (intermediate) Hinge Stud Set Screw.....
1419c	1426	Presser Bar Lifting Lever (intermediate) Trip Stud.....
1521E	1426	Presser Bar Lifting Lever (intermediate) Trip Stud Lock Nut.....
1611E	1426	Presser Bar Lifting Lever (intermediate) Trip Stud Nut.....
21710	1426	Presser Bar Lifting Lever (intermediate) Trip Stud Spring.....
11167	1401	Presser Bar Spring.....
11170	1413	" " " " Washer.....
43577	1427	" " " " " " Foot with 1302D and 43578.....
43578	1427	" " " " " " Button Shank Guide.....
1302D	1427	" " " " " " " " Screw
172c	1406	" " " " " " " " Screw.....
688J	1415	Pressure Regulating 'Thumb' Screw.....
66085	1473	Pulley (loose).....
21639	1419	" (tight).....
21640	—	Pulley (tight) complete, Nos. 871E, 21615 to 21617, 21639, 21647, 21653 and two 997E.....
23668	1410	Pulley (tight) Pin.....
21641	—	Pulleys complete, Nos. 21640 and 66085...
2996	1410	Shuttle Bobbin.....
62739	—	" " " " " " Case.....
15140	1410	" " " " " " Latch.....
2973	1410	" " " " " " Lever.....
2974	1410	" " " " " " " " Fulcrum Pin.....
2975	1410	Shuttle Bobbin Case Latch Spring.....
592E	1410	" " " " " " " " Stop Screw...
15141	1410	Shuttle Bobbin Case Hinge, Nos. 2973, 2974 and 15140.....
15027	1410	Shuttle Bobbin Case Position Finger.....
2523	1410	" " " " " " " " Rivet
15277	1410	Shuttle Bobbin Case complete, Nos. 591E, 592E, 2523, 2975, 15027, 15141, 15278 and 62739.....
21562	1410	Shuttle Body.....
591F	1410	" " " " " " Tension Regulating Screw.....
15278	1410	" " " " " " Spring.....
21561	1410	Shuttle, 1 1/4 in. diam., Nos. 2996, 15277 and 21562.....

LIST OF PARTS COMPLETE FOR



MACHINE No. 58-11

**FOR REGULAR AND MILO SHOE BUTTONS. HAS AUTOMATIC
ADJUSTABLE BUTTON CARRIER AND AUTOMATIC THREAD
CUTTING DEVICE FOR CUTTING THE NEEDLE THREAD.
MAKES FOURTEEN STITCHES IN THE BUTTON SHANK AND
TWO FASTENING STITCHES. NO STITCHES BETWEEN
BUTTONS.**

(OBSOLETE)

NO.	PLATE	NAME
*43676	—	Arm and Cylinder with 21503
43677	1434	" Shaft.....
*21503	—	" " Bushing (front).....
21634	1438	" " Flanged Bushing (back).....
437c	1450	" " " " Adjust- ing Screw.....

NO.	PLATE	NAME
1517E	1450	Arm Shaft Flanged Bushing (back) Ad- justing Screw Nut.....
448c	1443	Arm Shaft Flanged Bushing (back) Set Screw.....
1069d	1450	Arm Shaft Screw.....
23373	1434	Belt Cover.....
43584	1434	" " Bracket with 871E and 43585
871E	1449	" " " Screw Stud.....
43585	1451	" " " Stud.....
217F	1436	" " Screw.....
43592	1435	Button Carrier.....
66106	—	" " 43592 with 43607, 66031 and 66104.....
66107	—	Button Carrier 66106 with 2269, 43609 and 43612.....
43594	1435	Button Carrier Adjusting Arm with 1483d
1483d	1475	" " " " Clamping Screw.....
43595	1437	Button Carrier Lever.....
66038	1468	" " " Connection (latch end) with 43604.....
43597	1438	Button Carrier Lever Connection (lever end) with 43604.....
66084	1475	Button Carrier Lever Connection Adjust- ing Collar with 454c.....
454c	1435	Button Carrier Lever Connection Adjust- ing Collar Set Screw.....
27795	1475	Button Carrier Lever Connection Adjust- ing Collar Set Screw Washer.....
50618d	1475	Button Carrier Lever Connection Hinge Screw.....
1637E	1450	Button Carrier Lever Connection Hinge Screw Nut.....
66069	1468	Button Carrier Lever Connection Latch
184d	1439	" " " " " " Hinge Screw.....
24872	1468	Button Carrier Lever Connection Latch Spring.....
50174c	1435	Button Carrier Lever Connection Latch Trip Screw Stud.....
1520E	1435	Button Carrier Lever Connection Latch Trip Screw Stud Nut.....
43603	1438	Button Carrier Lever Connection Spring
43604	1435	" " " " " " Stud.....

NO.	PLATE	NAME
66070	—	Button Carrier Lever Connection complete, Nos. 184d, 24872, 27795, 43597, 43603, 66068, 66069 and 66084
802d	1449	Button Carrier Lever Hinge Screw
2269	1451	" " Pin
66061	1468	" " Plate
43607	1435	" " Hinge Pin
66104	1475	" " Spring
43609	1441	" " Rod
43610	1435	" " Adjusting Collar with 457c
457c	1435	Button Carrier Rod Adjusting Collar Set Screw
43611	1435	Button Carrier Rod Adjusting Collar Set Screw Lock Stud
43612	1435	Button Carrier Rod Head with 457c
457c	1435	" " " " Set Screw
50618d	1475	" " Hinge Screw
1637E	1450	" " " " Nut
66064	1469	" " Supporting Arm
66071	—	" " " " 66064 with 43594 and 43616
2269	1451	Button Carrier Supporting Arm Pin
43614	1436	" " " " Shaft
66072	—	" " " " 43614 with 2269 and 66071
732d	1436	Button Carrier Supporting Arm Shaft Cap Screw
43615	1436	Button Carrier Supporting Arm Shaft Cap Screw Washer
43616	1435	Button Carrier Supporting Stud with 175d
233d	1435	" " " " Cap Screw
43617	1435	" " " " " " Washer
175d	1435	Button Carrier Supporting Stud Clamping Screw
43588	1436	Button Guide with 43589 and two 1053d
21597	1436	" " Adjusting Block
43589	1436	" " Extension
1053d	1436	" " " " Screw
715d	1436	" " Thumb Screw
43680	1435	" Retaining Spring
337d	1444	" " " " Screw
43681	1436	" Switch Plate (back)
1302d	1436	" " " " " " Screw
43682	1436	" " " " (front)
1302d	1436	" " " " " " Screw

NO.	PLATE	NAME
43563	1436	Button Switch Stud
460c	1448	" " " " Set Screw
43731	1437	Chute Cover with 50079d
1711j	1450	" " Lock Nut
50079d	1419	" " Screw Stud
43566	1436	" " Spring
1538d	1450	" " Thumb Nut
43620	1437	" Frame with 50079d
207F	1447	" " " " " " Screw (lower)
171F	1419	" " " " " " (upper)
43621	1436	" Support Bracket
43569	1436	" " " " Washer
43622	—	Chute complete, Nos. 43620, 43731 and two each 1538d, 1711j and 43566
12108	1437	Crank Connecting Rod with 4349 and two 158E
*4349	—	Crank Connecting Rod Cap
158E	1450	" " " " " " Screw
375c	1450	" " " " Hinge Screw
1518E	1450	" " " " " " Nut
43683	1434	Hopper Base with 460c, 2273, 43563, 43635, 43681, 43682, 50024E and five 1302d
941F	1419	Hopper Base Screw
21538	—	" Brush
21539	1438	" " Carrier
43624	1440	" " " " Eccentric with two 456c
456c	1440	Hopper Brush Carrier Eccentric Set Screw
43625	1440	" " " " Forked Connection with 457c
457c	1435	Hopper Brush Carrier Forked Connection Set Screw
43684	1440	Hopper Brush Carrier Forked Connection Shaft
43685	1440	Hopper Brush Carrier Forked Connection Shaft Bushing
448c	1443	Hopper Brush Carrier Forked Connection Shaft Bushing Set Screw
43804	1440	Hopper Brush Carrier Forked Connection Shaft Collar with 1253c
1253c	1440	Hopper Brush Carrier Forked Connection Shaft Collar Set Screw
43628	1440	Hopper Brush Carrier Handle
14026	1451	" " " " " " Pin
946d	1440	" " " " " " Screw
21542	1438	" " " " " " Shaft

NO.	PLATE	NAME
43629	1438	Hopper Brush Carrier Shaft Ratchet Wheel
66057	—	“ “ “ “ “ “
		43629 with 2019, 43637, 43765 and two 171F.....
43630	1438	Hopper Brush Carrier Shaft Ratchet Wheel Brake Lever.....
*43765	—	Hopper Brush Carrier Shaft Ratchet Wheel Brake Lever 43630 with 43631..
43631	1440	Hopper Brush Carrier Shaft Ratchet Wheel Brake Lever Block.....
43632	1440	Hopper Brush Carrier Shaft Ratchet Wheel Brake Lever Block Pin.....
43633	1440	Hopper Brush Carrier Shaft Ratchet Wheel Brake Lever Block Spring.....
436c	1475	Hopper Brush Carrier Shaft Ratchet Wheel Brake Lever Block Spring Adjusting Screw.....
1517E	1415	Hopper Brush Carrier Shaft Ratchet Wheel Brake Lever Block Spring Adjusting Screw Nut.....
43634	1440	Hopper Brush Carrier Shaft Ratchet Wheel Brake Lever Spring.....
43635	1440	Hopper Brush Carrier Shaft Ratchet Wheel Brake Lever Spring Hook.....
43727	1440	Hopper Brush Carrier Shaft Ratchet Wheel Brake Lever Stop Bracket....
190b	1140	Hopper Brush Carrier Shaft Ratchet Wheel Brake Lever Stop Bracket Screw
43637	1438	Hopper Brush Carrier Shaft Ratchet Wheel Hub with two 454c.....
454c	1435	Hopper Brush Carrier Shaft Ratchet Wheel Hub Set Screw.....
43638	1439	Hopper Brush Carrier Shaft Ratchet Wheel Lever.....
43639	1439	Hopper Brush Carrier Shaft Ratchet Wheel Lever Guide Bracket.....
190b	1440	Hopper Brush Carrier Shaft Ratchet Wheel Lever Guide Bracket Screw....
184b	1439	Hopper Brush Carrier Shaft Ratchet Wheel Lever Guide Screw.....
184b	1439	Hopper Brush Carrier Shaft Ratchet Wheel Lever Hinge Screw.....
43640	1439	Hopper Brush Carrier Shaft Ratchet Wheel Lever Pawl with 2273.....
184b	1439	Hopper Brush Carrier Shaft Ratchet Wheel Lever Pawl Hinge Screw.....

NO.	PLATE	NAME
43641	1439	Hopper Brush Carrier Shaft Ratchet Wheel Lever Pawl Spring.....
2273	1451	Hopper Brush Carrier Shaft Ratchet Wheel Lever Pawl Spring Pin.....
229b	1439	Hopper Brush Carrier Shaft Ratchet Wheel Lever Pawl Spring Screw.....
2049	1448	Hopper Brush Carrier Shaft Ratchet Wheel Pin.....
171F	1449	Hopper Brush Carrier Shaft Ratchet Wheel Screw.....
21603	1440	Hopper Brush Lifter.....
43511	1438	“ Gate.....
50024E	1449	“ “ Screw Stud.....
2273	1451	“ “ “ “ Pin.....
1538b	1450	“ “ Thumb Nut.....
43573	1434	“ Rim.....
217J	1432	“ “ Screw.....
43642	1438	“ Washer.....
43689	—	Hopper complete, Nos. 436c, 715b, 946b, 1517E, 1538b, 14026, 21539, 21542, 21597, 43511, 43573, 43588, 43622, 43628, 43632 to 43634, 43639, 43642, 43683, 43727, 66057, two each 171F, 21603, four each 190b, 217J and six 21538....
21549	1441	Needle Bar with 857c.....
*3045	1408	“ “ Connecting Link.....
43726	—	“ “ “ “ 3045 with 43644.....
377c	1450	Needle Bar Connecting Link Hinge Screw
1518E	1450	“ “ “ “ “ “ Nut.....
43644	1443	Needle Bar Connecting Stud with 187b..
187b	1443	“ “ “ “ Clamping Screw.....
43645	1442	Needle Bar Frame.....
*43690	1442	“ “ “ Cam with 448c.....
66065	—	“ “ “ “ “ two 448c..
43691	1442	“ “ “ “ Cover.....
158E	1450	“ “ “ “ “ Screw....
23668	1451	“ “ “ “ Pin.....
448c	1443	“ “ “ “ Set Screw.....
43692	1441	“ “ “ “ Shaft.....
43693	1442	“ “ “ “ Worm with 448c and 50243c.....
50243c	1449	Needle Bar Frame Cam Worm Position Screw.....
448c	1443	Needle Bar Frame Cam Worm Set Screw

NO.	PLATE	NAME
43694	1442	Needle Bar Frame Cam Worm Wheel with 448c and 50243c
50243c	1449	Needle Bar Frame Cam Worm Wheel Position Screw
448c	1443	Needle Bar Frame Cam Worm Wheel Set Screw
43695	1439	Needle Bar Frame Driving Arm with 200c and 51803
2022	1469	Needle Bar Frame Driving Arm Pin
51803	1439	" " " " " Roller and Stud
200c	1468	Needle Bar Frame Driving Arm Set Screw
43696	1439	" " " " " Shaft
43698	1439	" " " Pitman Arm
2022	1469	" " " " " Pin
679c	1443	" " " " " Ball Screw Stud (arm end)
1520E	1435	Needle Bar Frame Pitman Ball Screw Stud (arm end) Nut
777c	1443	Needle Bar Frame Pitman Ball Screw Stud (frame end)
1518E	1450	Needle Bar Frame Pitman Ball Screw Stud (frame end) Nut
*66078	—	Needle Bar Frame Pitman Cap
171E	1449	" " " " " Screw
*66079	—	" " " " " End Bearing (arm end) for 66081
*66080	—	Needle Bar Frame Pitman End Bearing (frame end) for 66082
66081	1472	Needle Bar Frame Pitman Head (arm end) Nos. 679c, 66078, 66079 and two 171E
66082	1472	Needle Bar Frame Pitman Head (frame end) Nos. 777c, 66078, 66080 and two 171E
66083	1472	Needle Bar Frame Pitman Rod
1722E	1472	" " " " " Nut (left hand thread)
1723E	1472	Needle Bar Frame Pitman Rod Nut (right hand thread)
66077	1472	Needle Bar Frame Pitman complete, Nos. 1722E, 1723E and 66081 to 66083
577c	1449	Needle Bar Frame Screw Centre (lower)
1517E	1450	" " " " " " Nut
945F	1449	Needle Bar Frame Screw Centre (upper)
1517D	1450	" " " " " " Nut

NO.	PLATE	NAME
21553	1443	Needle Bar Frame Thread Eyelet
219D	1443	" " " " " Screw
21554	1443	" " Thread Eyelet
665D	1443	" " " " " Screw
43736	1444	" Plate
691F	1444	" " Screw
857c	1450	" Set Screw
*21555	1441	Oscillating Rock Shaft
21630	—	" " " 21555 with 4784 and 12388
12388	1441	Oscillating Rock Shaft Hinge Pin
448c	1443	" " " " " Set Screw
4784	1443	" " " Oil Pad
21556	1441	" Shaft
21557	1448	" " Crank with 460c and 1921
2049	1448	Oscillating Shaft Crank Pin
1921	1451	" " " " " Roller and Stud
460c	1448	" " " " " Set Screw
43576	1441	Presser Bar
43700	1443	" " Lifting Bracket with 448c
43647	1441	" " " " " Guide Bar
453c	1450	" " " " " " " Set Screw
448c	1443	Presser Bar Lifting Bracket Set Screw
43728	1437	" " " " " Lever with 119c, 1528J and 1810
119c	1449	Presser Bar Lifting Lever Adjusting Screw
1528J	1450	" " " " " " " Nut
65c	1450	Presser Bar Lifting Lever Hinge Screw
1810	1451	" " " " " Roller and Stud (intermediate)
43702	1441	" " " " " with 1433c, 1521E, 1611E and 21724
21700	1443	Presser Bar Lifting Lever (intermediate) Hinge Stud
448c	1443	Presser Bar Lifting Lever (intermediate) Hinge Stud Set Screw
39303	1443	Presser Bar Lifting Lever (intermediate) Spring
1226E	1443	Presser Bar Lifting Lever (intermediate) Spring Screw Stud
1433c	1443	Presser Bar Lifting Lever (intermediate) Trip Stud
1521E	1450	Presser Bar Lifting Lever (intermediate) Trip Stud Lock Nut

NO.	PLATE	NAME
1611E	1450	Presser Bar Lifting Lever (intermediate) Trip Stud Nut.....
21724	1443	Presser Bar Lifting Lever (intermediate) Trip Stud Spring.....
11167	1441	Presser Bar Spring.....
11170	1439	" " " Washer.....
66048	—	" Foot Body.....
66073	1474	" " Bottom Plate.....
66074	1474	" " Extension.....
1477D	1444	" " " Screw.....
66075	1474	Presser Foot complete, Nos. 665D, 1477D, 43740, 66048, 66073, 66074, 66076 and four 1329D.....
172C	1444	Presser Foot Screw.....
688J	1449	Pressure Regulating Thumb Screw.....
1648E	1450	" " " " Lock Nut
66085	1473	Pulley (loose).....
43650	1445	" (tight).....
43651	—	Pulley (tight) complete, Nos. 871E, 21615 to 21617, 21647, 21653, 43650 and two 997E.....
23668	1451	Pulley (tight) Pin.....
43652	—	Pulleys complete, Nos. 43651 and 66085..
2996	1446	Shuttle Bobbin.....
66105	—	" " Case.....
15140	1446	" " " Latch.....
2973	1446	" " " " Lever.....
2974	1446	" " " " Fulcrum Pin.....
2975	1446	Shuttle Bobbin Case Latch Spring.....
592E	1446	" " " " Stop Screw...
15141	1446	Shuttle Bobbin Case Hinge, Nos. 2973 2974 and 15140.....
4820	1446	Shuttle Bobbin Case Position Finger.....
2523	1446	" " " " Rivet
43725	1446	Shuttle Bobbin Case complete, Nos. 591F, 592E, 2523, 2975, 4820, 15141, 66105 and 224842.....
21562	1446	Shuttle Body.....
591F	1446	" Tension Regulating Screw.....
224842	1446	" " Spring.....
43654	1446	Shuttle, 1 $\frac{1}{8}$ in. diam., Nos. 2996, 21562 and 43725.....
43745	1448	Shuttle Driver.....
2049	1448	" " Pin.....
43542	—	" Race Body.....
43543	1430	" " Cap.....

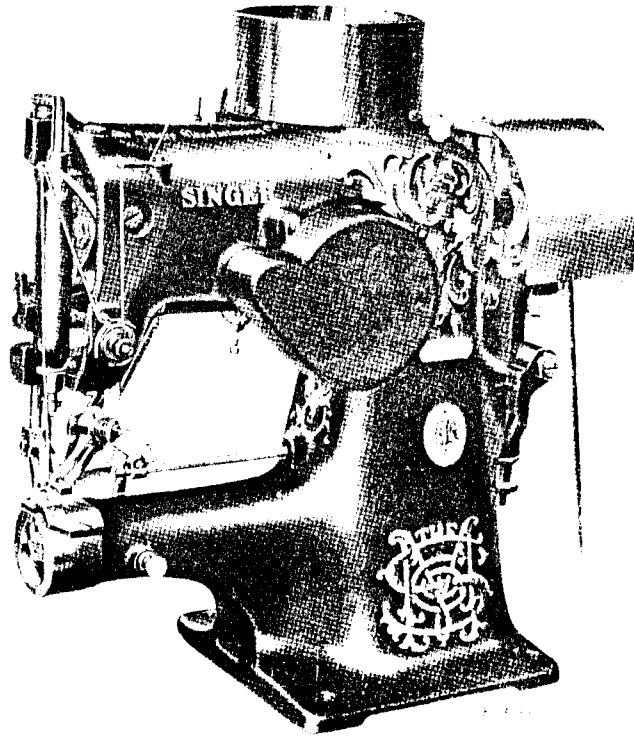
NO.	PLATE	NAME
662D	1449	Shuttle Race Cap Screw.....
2523	1446	" " " Steady Pin.....
43544	1430	" " Ring.....
18413	1430	" " Spring.....
1289D	1430	" " " " Screw.....
43545	1430	Shuttle Race (flexible) complete, Nos. 662D, 2523, 43542 to 43544 and two each 1289D and 18413.....
171F	1449	Shuttle Race Screw.....
43704	1434	Starting Lever with 641C and 51804.....
43705	—	Starting Lever complete, Nos. 159F, 717C, 913C, 1520E, 1638E, 21643, 21649, 21651, 43583, 43658, 43704, two each 158E, 640F and three 21645.....
43706	1445	Starting Lever Bell Crank with 1921.....
43707	1445	" " " " Cam with 448C
23668	1451	" " " " " Pin.....
418C	1443	" " " " " Set Screw
802D	1449	" " " " Hinge Screw...
1921	1451	" " " " Roller and Stud
21643	1447	" " Belt Shifter.....
159F	1450	" " " " Set Screw.....
21730	1434	" " Bracket.....
8582	1451	" " " Dowel Pin.....
123E	1450	" " " Screw.....
21645	1448	" " Cushion (rawhide).....
640F	1448	" " " Screw.....
43658	1438	" " Extension.....
158E	1450	" " " Screw.....
51804	1451	" " Roller and Stud.....
641C	1449	" " " " " Set Screw
564C	1449	" " Screw Centre.....
1508E	1450	" " " " Nut.....
14174	1445	" " Spring.....
717C	1449	" " Stop Screw.....
1520E	1435	" " " " Nut.....
21647	1445	Stop Cam with 21652.....
43583	1445	" " Interlocking Rod.....
21649	1448	" " " " Guide with 1070C.....
1070C	1448	Stop Cam Interlocking Rod Guide Set Screw.....
21651	1445	Stop Cam Interlocking Rod Spring.....
913C	1449	" " " " " Regu- lating Thumb Screw.....
1638E	1450	Stop Cam Interlocking Rod Spring Regu- lating Thumb Screw Nut.....

NO.	PLATE	NAME
21652	1451	Stop Cam Pin
21615	1445	" " Spring (long)
21616	1445	" " " (short)
21653	1445	" " " Cover
997E	1450	" " " " Screw
21617	1448	" " " Stop Block
871E	1449	" " " " " Screw
2102	1448	Tension Disc
1560c	1448	" Regulating Thumb Nut
43708	1443	" Releasing Arm
190D	1440	" " " Screw
32572	1448	" " Disc
43709	1448	" " Pin
50327c	---	" Screw Stud
44141	---	" " " 50327c with 1560c
2103	1448	" Spring
12149	1448	" Thread Guard
43756	---	Tension complete, Nos. 2103, 7336, 8511, 32572, 43709, 44141 and two 2102
43661	1447	Thread Clamping Blade
43740	1444	" " " Spring
665D	1443	" " " " Screw
43710	1444	" Cutter for 43736
337D	1444	" " Screw
43662	1447	" Cutting Blade
66076	1474	" " " Cap
1329D	1444	" " " " Screw
66054	1468	" " " Clamping Plate
66055	1468	" " " Connection and Holder
43712	1447	Thread Cutting Blade Connection (lever end)
207F	1447	Thread Cutting Blade Connection Screw
66056	---	Thread Cutting Blade Connection and Holder complete, Nos. 43712, 66055 and two 207F
86D	1449	Thread Cutting Blade Connection Hinge Screw (lever end)
43714	1442	Thread Cutting Blade Lever with 330D and 1906
2049	1448	Thread Cutting Blade Lever Pin
1887	---	" " " " Roller and Screw Stud
1906	1451	Thread Cutting Blade Lever Roller and Screw Stud 1887 with 1520E and 14017
330D	1449	Thread Cutting Blade Lever Roller and Screw Stud Adjusting Screw

NO.	PLATE	NAME
1520E	1435	Thread Cutting Blade Lever Roller and Screw Stud Nut
14017	1451	Thread Cutting Blade Lever Roller and Screw Stud Nut Washer
43715	1447	Thread Cutting Blade Lever Shaft
43716	1447	" " " " " Arm with 207F
2049	1448	Thread Cutting Blade Lever Shaft Arm Pin
1887	---	Thread Cutting Blade Lever Shaft Arm Roller and Screw Stud
1906	1451	Thread Cutting Blade Lever Shaft Arm Roller and Screw Stud 1887 with 1520E and 14017
1520E	1435	Thread Cutting Blade Lever Shaft Arm Roller and Screw Stud Nut
14017	1451	Thread Cutting Blade Lever Shaft Arm Roller and Screw Stud Nut Washer
207F	1447	Thread Cutting Blade Lever Shaft Arm Set Screw
43717	1447	Thread Cutting Blade Lever Spring
161D	1447	" " " " " Screw
9525	1447	" " " " " Washer
50111D	1474	Thread Cutting Blade Screw
43719	1447	" Eyelet (side of arm)
190D	1440	" " " " " Screw
*43764	---	" Take-up Cam
21578	1441	" " " 43764 with 446c
3012	1451	" " " Pin
446c	1450	" " " Set Screw
*21579	1447	" " Lever with 1819
43673	---	" " " 21579 with 76c
76c	1450	" " " Hinge Screw
1819	1447	" " " Roller and Stud
8511	1448	" " Spring
7336	1448	" " " Regulator
453c	1450	" " " " Set Screw

LIST OF PARTS COMPLETE

FOR



MACHINE No. 58-12

FOR REGULAR AND MILO SHOE BUTTONS. HAS AUTOMATIC ADJUSTABLE BUTTON CARRIER. NO THREAD CUTTING DEVICE. MAKES FOURTEEN STITCHES IN THE BUTTON SHANK AND TWO FASTENING STITCHES. NO STITCHES BETWEEN BUTTONS.

NO.	PLATE	NAME
*43749	—	Arm and Cylinder with 21503.....
43677	1434	" Shaft.....
*21503	—	" " Bushing (front).....
21634	1438	" " Flanged Bushing (back).....
437c	1450	" " " " Adjusting Screw.....

NO.	PLATE	NAME
1517E	1450	Arm Shaft Flanged Bushing (back) Adjusting Screw Nut.....
448c	1443	Arm Shaft Flanged Bushing (back) Set Screw.....
1069D	1450	Arm Shaft Screw.....
23373	1434	Belt Cover.....
43584	1434	" " Bracket with 871E and 43585
871E	1449	" " " Screw Stud.....
43585	1451	" " " Stud.....
217F	1436	" " " Screw.....
43592	1435	Button Carrier.....
66062	—	" " 43592 with 43607, 43608 and 66061.....
66063	—	Button Carrier 66062 with 2269, 43609 and 43612.....
43594	1435	Button Carrier Adjusting Arm with 1483D
1483D	1475	" " " " Clamping Screw.....
43595	1437	Button Carrier Lever.....
66068	1468	" " " Connection (latch end) with 43604.....
43597	1438	Button Carrier Lever Connection (lever end) with 43604.....
66084	1475	Button Carrier Lever Connection Adjusting Collar with 454c.....
454c	1435	Button Carrier Lever Connection Adjusting Collar Set Screw.....
27795	1475	Button Carrier Lever Connection Adjusting Collar Set Screw Washer.....
50618D	1475	Button Carrier Lever Connection Hinge Screw.....
1637E	1450	Button Carrier Lever Connection Hinge Screw Nut.....
66069	1468	Button Carrier Lever Connection Latch
184D	1439	" " " " " " Hinge Screw.....
24872	1468	Button Carrier Lever Connection Latch Spring.....
50174c	1435	Button Carrier Lever Connection Latch Trip Screw Stud.....
1520E	1435	Button Carrier Lever Connection Latch Trip Screw Stud Nut.....
43603	1438	Button Carrier Lever Connection Spring
43604	1435	" " " " " Stud.....

NO.	PLATE	NAME
66070	—	Button Carrier Lever Connection complete, Nos. 184d, 24872, 27795, 43597, 43603, 66068, 66069 and 66084
802d	1449	Button Carrier Lever Hinge Screw
2269	1451	" " Pin
66061	1468	" " Plate
43607	1435	" " " Hinge Pin
43608	1435	" " " Spring
43609	1441	" " Rod
43610	1435	" " " Adjusting Collar with 457c
457c	1435	Button Carrier Rod Adjusting Collar Set Screw
43611	1435	Button Carrier Rod Adjusting Collar Set Screw Lock Stud
43612	1435	Button Carrier Rod Head with 457c
457c	1435	" " " " Set Screw
50618d	1475	" " " Hinge Screw
1637E	1450	" " " " Nut
66064	1469	" " Supporting Arm
66071	—	" " " " 66064 with 43594 and 43616
2269	1451	Button Carrier Supporting Arm Pin
43614	1436	" " " " Shaft
66072	—	" " " " 43614 with 2269 and 66071
732d	1436	Button Carrier Supporting Arm Shaft Cap Screw
43615	1436	Button Carrier Supporting Arm Shaft Cap Screw Washer
43616	1435	Button Carrier Supporting Stud with 175d
233d	1435	" " " " Cap Screw
43617	1435	" " " " " " Washer
175d	1435	Button Carrier Supporting Stud Clamping Screw
43588	1436	Button Guide with 43589 and two 1053d
21597	1436	" " Adjusting Block
43589	1436	" " Extension
1053d	1436	" " " Screw
715d	1436	" " Thumb Screw
43680	1435	" Retaining Spring
337d	1444	" " " Screw
43681	1436	" Switch Plate (back)
1302d	1436	" " " " Screw
43682	1436	" " " (front)
1302d	1436	" " " " Screw

NO.	PLATE	NAME
43563	1436	Button Switch Stud
460c	1448	" " " Set Screw
43731	1437	Chute Cover with 50079d
1711d	1450	" " Lock Nut
50079d	1449	" " Screw Stud
43566	1436	" " Spring
1538d	1450	" " Thumb Nut
43620	1437	" Frame with 50079d
207F	1447	" " Screw (lower)
171F	1449	" " " (upper)
43621	1436	" Support Bracket
43569	1436	" " " Washer
43622	—	Chute complete, Nos. 43620, 43731 and two each 1538d, 1711d and 43566
12108	1437	Crank Connecting Rod with 4349 and two 158E
*4349	—	Crank Connecting Rod Cap
158E	1450	" " " " Screw
375c	1450	" " " Hinge Screw
1518E	1450	" " " " " Nut
43683	1434	Hopper Base with 460c, 2273, 43563, 43635, 43681, 43682, 50024E and five 1302d
914F	1449	Hopper Base Screw
21538	—	" Brush
21539	1438	" " Carrier
43624	1440	" " " Eccentric with two 456c
456c	1440	Hopper Brush Carrier Eccentric Set Screw
43625	1440	" " " Forked Connection with 457c
457c	1435	Hopper Brush Carrier Forked Connection Set Screw
43684	1440	Hopper Brush Carrier Forked Connection Shaft
43685	1440	Hopper Brush Carrier Forked Connection Shaft Bushing
448c	1443	Hopper Brush Carrier Forked Connection Shaft Bushing Set Screw
43804	1440	Hopper Brush Carrier Forked Connection Shaft Collar with 1253c
1253c	1440	Hopper Brush Carrier Forked Connection Shaft Collar Set Screw
43628	1440	Hopper Brush Carrier Handle
14026	1451	" " " " Pin
916d	1440	" " " " Screw
21542	1438	" " " Shaft

NO.	PLATE	NAME
43629	1438	Hopper Brush Carrier Shaft Ratchet Wheel
66057	—	“ “ “ “ “ “
		43629 with 2049, 43637, 43765 and two 171F.....
43630	1438	Hopper Brush Carrier Shaft Ratchet Wheel Brake Lever.....
*43765	—	Hopper Brush Carrier Shaft Ratchet Wheel Brake Lever 43630 with 43631..
43631	1440	Hopper Brush Carrier Shaft Ratchet Wheel Brake Lever Block.....
43632	1440	Hopper Brush Carrier Shaft Ratchet Wheel Brake Lever Block Pin.....
43633	1440	Hopper Brush Carrier Shaft Ratchet Wheel Brake Lever Block Spring.....
436c	1475	Hopper Brush Carrier Shaft Ratchet Wheel Brake Lever Block Spring Adjusting Screw.....
1517E	1415	Hopper Brush Carrier Shaft Ratchet Wheel Brake Lever Block Spring Adjusting Screw Nut.....
43634	1440	Hopper Brush Carrier Shaft Ratchet Wheel Brake Lever Spring.....
43635	1440	Hopper Brush Carrier Shaft Ratchet Wheel Brake Lever Spring Hook.....
43727	1440	Hopper Brush Carrier Shaft Ratchet Wheel Brake Lever Stop Bracket.....
190D	1440	Hopper Brush Carrier Shaft Ratchet Wheel Brake Lever Stop Bracket Screw.....
43637	1438	Hopper Brush Carrier Shaft Ratchet Wheel Hub with two 454c.....
454c	1435	Hopper Brush Carrier Shaft Ratchet Wheel Hub Set Screw.....
43638	1439	Hopper Brush Carrier Shaft Ratchet Wheel Lever.....
43639	1439	Hopper Brush Carrier Shaft Ratchet Wheel Lever Guide Bracket.....
190D	1440	Hopper Brush Carrier Shaft Ratchet Wheel Lever Guide Bracket Screw.....
184D	1439	Hopper Brush Carrier Shaft Ratchet Wheel Lever Guide Screw.....
184D	1439	Hopper Brush Carrier Shaft Ratchet Wheel Lever Hinge Screw.....
43640	1439	Hopper Brush Carrier Shaft Ratchet Wheel Lever Pawl with 2273.....
184D	1439	Hopper Brush Carrier Shaft Ratchet Wheel Lever Pawl Hinge Screw.....

NO.	PLATE	NAME
43641	1439	Hopper Brush Carrier Shaft Ratchet Wheel Lever Pawl Spring.....
2273	1451	Hopper Brush Carrier Shaft Ratchet Wheel Lever Pawl Spring Pin.....
229D	1439	Hopper Brush Carrier Shaft Ratchet Wheel Lever Pawl Spring Screw.....
2049	1448	Hopper Brush Carrier Shaft Ratchet Wheel Pin.....
171F	1449	Hopper Brush Carrier Shaft Ratchet Wheel Screw.....
21603	1440	Hopper Brush Lifter.....
43511	1438	“ Gate.....
50024E	1449	“ “ Screw Stud.....
2273	1451	“ “ “ “ Pin.....
1538D	1450	“ “ Thumb Nut.....
43573	1434	“ Rim.....
217J	1432	“ “ Screw.....
43642	1438	“ Washer.....
43689	—	Hopper complete, Nos. 436c, 715D, 946D, 1517E, 1538D, 14026, 21539, 21542, 21597, 43511, 43573, 43588, 43622, 43628, 43632 to 43634, 43639, 43642, 43683, 43727, 66057, two each 171F, 21603, four each 190D, 217J and six 21538.....
21549	1441	Needle Bar with 857c.....
*3045	1108	“ “ Connecting Link.....
43726	—	“ “ “ “ 3045 with 43644.....
377c	1450	Needle Bar Connecting Link Hinge Screw.....
1518E	1450	“ “ “ “ “ “ Nut.....
43644	1443	Needle Bar Connecting Stud with 187D..
187D	1443	“ “ “ “ Clamping Screw.....
43645	1442	Needle Bar Frame.....
*43750	—	“ “ “ Cam with 448c.....
66066	—	“ “ “ “ “ two 448c..
43691	1442	“ “ “ “ Cover.....
158E	1450	“ “ “ “ “ Screw....
23668	1451	“ “ “ “ Pin.....
448c	1443	“ “ “ “ Set Screw.....
43692	1441	“ “ “ “ Shaft.....
43693	1442	“ “ “ “ Worm with 448c and 50243c.....
50243c	1449	Needle Bar Frame Cam Worm Position Screw.....
448c	1443	Needle Bar Frame Cam Worm Set Screw..

NO.	PLATE	NAME
43694	1442	Needle Bar Frame Cam Worm Wheel with 448c and 50243c
50243c	1449	Needle Bar Frame Cam Worm Wheel Position Screw
448c	1443	Needle Bar Frame Cam Worm Wheel Set Screw
43695	1439	Needle Bar Frame Driving Arm with 200c and 51803
2022	1469	Needle Bar Frame Driving Arm Pin
51803	1439	" " " " " Roller and Stud
200c	1468	Needle Bar Frame Driving Arm Set Screw
43696	1439	" " " " " Shaft
43698	1439	" " " Pitman Arm
2022	1469	" " " " " Pin
679c	1443	" " " " " Ball Screw Stud (arm end)
1520E	1435	Needle Bar Frame Pitman Ball Screw Stud (arm end) Nut
777c	1443	Needle Bar Frame Pitman Ball Screw Stud (frame end)
1518E	1450	Needle Bar Frame Pitman Ball Screw Stud (frame end) Nut
*66078	—	Needle Bar Frame Pitman Cap
171E	1449	" " " " " Screw
*66079	—	" " " " " End Bearing (arm end) for 66081
*66080	—	Needle Bar Frame Pitman End Bearing (frame end) for 66082
66081	1472	Needle Bar Frame Pitman Head (arm end) Nos. 679c, 66078, 66079 and two 171E
66082	1472	Needle Bar Frame Pitman Head (frame end) Nos. 777c, 66078, 66080 and two 171E
66083	1472	Needle Bar Frame Pitman Rod
1722E	1472	" " " " " Nut (left hand thread)
1723E	1472	Needle Bar Frame Pitman Rod Nut (right hand thread)
66077	1472	Needle Bar Frame Pitman complete, Nos. 1722E, 1723E and 66081 to 66083
577c	1449	Needle Bar Frame Screw Centre (lower)
1517E	1450	" " " " " " "
		Nut
945F	1449	Needle Bar Frame Screw Centre (upper)
1517D	1450	" " " " " " "
		Nut

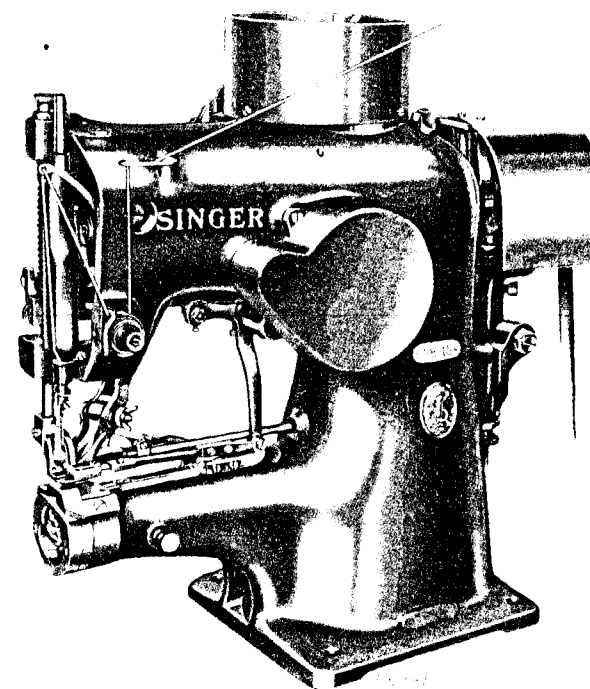
NO.	PLATE	NAME
21553	1443	Needle Bar Frame Thread Eyelet
219D	1443	" " " " " Screw
21551	1443	" " Thread Eyelet
665D	1443	" " " " " Screw
43736	1444	" Plate
691F	1444	" " Screw
857C	1450	" Set Screw
*21555	1441	Oscillating Rock Shaft
21630	—	" " " 21555 with 4784 and 12388
12388	1441	Oscillating Rock Shaft Hinge Pin
448c	1443	" " " " " Set Screw
4784	1443	" " " Oil Pad
21556	1441	" Shaft
21557	1448	" " Crank with 460c and 1921
2049	1448	" " " Pin
1921	1451	" " " Roller and Stud
460c	1448	" " " Set Screw
43576	1441	Presser Bar
43700	1443	" " Lifting Bracket with 448c
43647	1441	" " " " " Guide Bar
453c	1450	" " " " " " " Set Screw
448c	1443	Presser Bar Lifting Bracket Set Screw
43728	1437	" " " " " Lever with 119c, 1528J and 1810
119c	1449	Presser Bar Lifting Lever Adjusting Screw
1528J	1450	" " " " " " "
		Nut
65c	1450	Presser Bar Lifting Lever Hinge Screw
1810	1451	" " " " " Roller and Stud
43702	1441	" " " " " (intermediate) with 1433c, 1521E, 1611E and 21724
21700	1443	Presser Bar Lifting Lever (intermediate) Hinge Stud
448c	1443	Presser Bar Lifting Lever (intermediate) Hinge Stud Set Screw
39303	1443	Presser Bar Lifting Lever (intermediate) Spring
1226E	1443	Presser Bar Lifting Lever (intermediate) Spring Screw Stud
1433c	1443	Presser Bar Lifting Lever (intermediate) Trip Stud
1521E	1450	Presser Bar Lifting Lever (intermediate) Trip Stud Lock Nut
1611E	1450	Presser Bar Lifting Lever (intermediate) Trip Stud Nut

NO.	PLATE	NAME
21724	1443	Presser Bar Lifting Lever (intermediate) Trip Stud Spring
11167	1441	Presser Bar Spring
11170	1439	" " " Washer
43751	—	" Foot Body
43752	1468	" " Button Shank Guide
50362D	1468	" " " " " Screw
43753	1468	" " Extension
1477D	1444	" " " " " Screw
43754	1468	Presser Foot complete, Nos. 1477D, 43751 to 43753 and 50362D
172C	1444	Presser Foot Screw
688J	1449	Pressure Regulating Thumb Screw
1648E	1450	" " " " " Lock Nut
66085	1473	Pulley (loose)
43650	1445	" (tight)
43651	—	Pulley (tight) complete, Nos. 871E, 21615 to 21617, 21647, 21653, 43650 and two 997E
23668	1451	Pulley (tight) Pin
43652	—	Pulleys complete, Nos. 43651 and 66085
2996	1446	Shuttle Bobbin
66105	—	" " Case
15140	1446	" " " Latch
2973	1446	" " " " " Lever
2974	1446	" " " " " Fulerum Pin
2975	1446	Shuttle Bobbin Case Latch Spring
592E	1446	" " " " " Stop Screw
15141	1446	Shuttle Bobbin Case Hinge, Nos. 2973, 2974 and 15140
4820	1446	Shuttle Bobbin Case Position Finger
2523	1446	" " " " " Rivet
43725	1446	Shuttle Bobbin Case complete, Nos. 591E, 592E, 2523, 2975, 4820, 15141, 66105 and 224842
21562	1446	Shuttle Body
591F	1446	" Tension Regulating Screw
224842	1446	" " Spring
43654	1446	Shuttle, 1 1/8 in. diam., Nos. 2996, 21562 and 43725
43745	1448	Shuttle Driver
2049	1448	" " Pin
43542	—	" Race Body
43543	1430	" " Cap
662D	1449	" " " " " Screw

NO.	PLATE	NAME
2523	1446	Shuttle Race Cap Steady Pin
43544	1430	" " Ring
18413	1430	" " " Spring
1289D	1430	" " " " " Screw
43545	1430	Shuttle Race (flexible) complete, Nos. 662D, 2523, 43542 to 43544 and two each 1289D and 18413
171F	1449	Shuttle Race Screw
43704	1434	Starting Lever with 641c and 51804
43705	—	Starting Lever complete, Nos. 159E, 717C, 913C, 1520E, 1638E, 21643, 21649, 21651, 43583, 43658, 43704, two each 158E, 640F and three 21645
43706	1445	Starting Lever Bell Crank with 1921
43707	1445	" " " " " Cam with 448c
23668	1451	" " " " " Pin
448c	1443	" " " " " Set Screw
802D	1449	" " " " " Hinge Screw
1921	1451	" " " " " Roller and Stud
21643	1447	" " Belt Shifter
159F	1450	" " " " " Set Screw
21730	1434	" " Bracket
8582	1451	" " " Dowel Pin
123E	1450	" " " " " Screw
21645	1448	" " Cushion (rawhide)
640F	1448	" " " " " Screw
43658	1438	" " Extension
158E	1450	" " " " " Screw
51804	1451	" " Roller and Stud
641c	1449	" " " " " Set Screw
564c	1449	" " Screw Centre
1508E	1450	" " " " " Nut
14174	1445	" " Spring
717C	1449	" " Stop Screw
1520E	1435	" " " " " Nut
21647	1445	Stop Cam with 21652
43583	1445	" " Interlocking Rod
21649	1448	" " " " " Guide with 1070c
1070c	1448	Stop Cam Interlocking Rod Guide Set Screw
21651	1445	Stop Cam Interlocking Rod Spring
913C	1449	" " " " " " " Regu- lating Thumb Screw
1638E	1450	Stop Cam Interlocking Rod Spring Regu- lating Thumb Screw Nut

NO.	PLATE	NAME
21652	1451	Stop Cam Pin
21615	1445	" " Spring (long)
21616	1445	" " " (short)
21653	1445	" " " Cover
997E	1450	" " " " Screw
21617	1448	" " " Stop Block
871E	1449	" " " " " Screw
2102	1448	Tension Disc
1560c	1448	" Regulating Thumb Nut
43708	1443	" Releasing Arm
190b	1440	" " " Screw
32572	1448	" " Disc
43709	1448	" " Pin
50327c	----	" Screw Stud
44141	----	" " " 50327c with 1560c
2103	1448	" Spring
12149	1448	" Thread Guard
43756	----	Tension complete, Nos. 2103, 7336, 8511, 32572, 43709, 44141 and two 2102
43710	1444	Thread Cutter for 43736
337d	1444	" " Screw
43719	1447	" Eyelet (side of arm)
190b	1440	" " " " Screw
*43761	----	" Take-up Cam
21578	1444	" " 43761 with 446c
3012	1451	" " " Pin
446c	1450	" " " Set Screw
*21579	1447	" " Lever with 1819
43673	----	" " 21579 with 76c
76c	1450	" " Hinge Screw
1819	1447	" " Roller and Stud
8511	1448	" " Spring
7336	1448	" " Regulator
453c	1450	" " " " Set Screw

LIST OF PARTS COMPLETE FOR



MACHINE No. 58-15

FOR REGULAR AND MILO SHOE BUTTONS. HAS AUTOMATIC ADJUSTABLE BUTTON CARRIER AND AUTOMATIC THREAD CUTTING AND THREAD NIPPING DEVICE FOR CUTTING BOTH THE NEEDLE AND BOBBIN THREADS AND HOLDING THE ENDS UNTIL THE FIRST THREE STITCHES ARE MADE. MAKES FOURTEEN STITCHES IN THE BUTTON SHANKS AND TWO FASTENING STITCHES. NO STITCHES BETWEEN BUTTONS.

NO.	PLATE	NAME
*66086	----	Arm and Cylinder with 21503
43677	1434	" Shaft
*21503	----	" " Bushing (front)
21634	1438	" " Flanged Bushing (back)

NO.	PLATE	NAME
437c	1450	Arm Shaft Flanged Bushing (back) Adjusting Screw.....
1517E	1450	Arm Shaft Flanged Bushing (back) Adjusting Screw Nut.....
448c	1443	Arm Shaft Flanged Bushing (back) Set Screw.....
1069D	1450	Arm Shaft Screw.....
23373	1134	Belt Cover.....
43584	1434	" " Bracket with 871E and 43585..
871E	1449	" " " Screw Stud.....
43585	1451	" " " Stud.....
217F	1436	" " " Screw.....
43592	1435	Button Carrier.....
66062	---	" " 43592 with 43607, 43608 and 66061.....
66063	---	Button Carrier 66062 with 2269, 43609 and 43612.....
43594	1435	Button Carrier Adjusting Arm with 1483D
1483D	1475	" " " " Clamping Screw.....
43595	1437	Button Carrier Lever.....
66068	1468	" " " Connection (latch end) with 43604.....
43597	1438	Button Carrier Lever Connection (lever end) with 43604.....
66084	1475	Button Carrier Lever Connection Adjusting Collar with 454c.....
454c	1435	Button Carrier Lever Connection Adjusting Collar Set Screw.....
27795	1475	Button Carrier Lever Connection Adjusting Collar Set Screw Washer.....
50618E	1475	Button Carrier Lever Connection Hinge Screw.....
1637E	1450	Button Carrier Lever Connection Hinge Screw Nut.....
66069	1468	Button Carrier Lever Connection Latch
184D	1439	" " " " " " Hinge Screw.....
24872	1468	Button Carrier Lever Connection Latch Spring.....
50174c	1435	Button Carrier Lever Connection Latch Trip Screw Stud.....
1520E	1435	Button Carrier Lever Connection Latch Trip Screw Stud Nut.....
43603	1438	Button Carrier Lever Connection Spring
43604	1435	" " " " " Stud.....

NO.	PLATE	NAME
66070	---	Button Carrier Lever Connection complete, Nos. 184D, 24872, 27795, 43597, 43603, 66068, 66069 and 66084.....
802D	1449	Button Carrier Lever Hinge Screw.....
2269	1451	" " Pin.....
66061	1468	" " Plate.....
43607	1435	" " " Hinge Pin.....
43608	1435	" " " Spring.....
43609	1441	" " Rod.....
43610	1435	" " " Adjusting Collar with 457c.....
457c	1435	Button Carrier Rod Adjusting Collar Set Screw.....
43611	1435	Button Carrier Rod Adjusting Collar Set Screw Lock Stud.....
43612	1435	Button Carrier Rod Head with 457c.....
457c	1435	" " " " Set Screw.....
50618D	1475	" " " Hinge Screw.....
1637E	1450	" " " " Nut.....
66064	1469	" " Supporting Arm.....
66071	---	" " " " 66064 with 43594 and 43616.....
2269	1451	Button Carrier Supporting Arm Pin.....
43614	1436	" " " " Shaft.....
66072	---	" " " " " 43614 with 2269 and 66071.....
732D	1436	Button Carrier Supporting Arm Shaft Cap Screw.....
43615	1436	Button Carrier Supporting Arm Shaft Cap Screw Washer.....
43616	1435	Button Carrier Supporting Stud with 175D
233D	1435	" " " " Cap Screw
43617	1435	" " " " " " Washer.....
175D	1435	Button Carrier Supporting Stud Clamping Screw.....
43588	1436	Button Guide with 43589 and two 1053D..
21597	1436	" " Adjusting Block.....
43589	1436	" " Extension.....
1053D	1436	" " " Screw.....
715D	1436	" " Thumb Screw.....
43680	1435	" Retaining Spring.....
337D	1444	" " " Screw.....
43681	1436	" Switch Plate (back).....
1302D	1436	" " " " Screw.....
43682	1436	" " " " (front).....
1302D	1436	" " " " " Screw.....

NO.	PLATE	NAME
43641	1439	Hopper Brush Carrier Shaft Ratchet Wheel Lever Pawl Spring
2273	1451	Hopper Brush Carrier Shaft Ratchet Wheel Lever Pawl Spring Pin
229D	1439	Hopper Brush Carrier Shaft Ratchet Wheel Lever Pawl Spring Screw
2049	1448	Hopper Brush Carrier Shaft Ratchet Wheel Pin
171F	1449	Hopper Brush Carrier Shaft Ratchet Wheel Screw
21603	1440	Hopper Brush Lifter
43511	1438	" Gate
50024E	1449	" " Screw Stud
2273	1451	" " " " Pin
1538D	1450	" " Thumb Nut
43573	1434	" Rim
217J	1432	" " Screw
43642	1438	" Washer
43689	—	Hopper complete, Nos. 436c, 715D, 946D, 1517E, 1538D, 14026, 21539, 21542, 21597, 43511, 43573, 43588, 43622, 43628, 43632 to 43634, 43639, 43642, 43683, 43727, 66057, two each 171E, 21603, four each 190D, 217J and six 21538
21549	1441	Needle Bar with 857c
*3045	1408	" " Connecting Link
43726	—	" " " " 3045 with 43644
377c	1450	Needle Bar Connecting Link Hinge Screw
1518E	1450	" " " " " "
		Nut
43644	1443	Needle Bar Connecting Stud with 187D
187D	1443	" " " " Clamping Screw
43645	1442	Needle Bar Frame
66102	1473	" " " Cam with 448c
66103	—	" " " " " two 448c
43691	1442	" " " " Cover
158E	1450	" " " " " Screw
23668	1451	" " " " " Pin
448c	1443	" " " " " Set Screw
43692	1441	" " " " " Shaft
43693	1442	" " " " " Worm with 448c and 50243c
50243c	1449	Needle Bar Frame Cam Worm Position Screw

NO.	PLATE	NAME
448c	1443	Needle Bar Frame Cam Worm Set Screw
43694	1442	" " " " " Wheel with 448c and 50243c
50243c	1449	Needle Bar Frame Cam Worm Wheel Position Screw
448c	1443	Needle Bar Frame Cam Worm Wheel Set Screw
43695	1439	Needle Bar Frame Driving Arm with 200c and 51803
2022	1469	Needle Bar Frame Driving Arm Pin
51803	1439	" " " " " Roller and Stud
200c	1468	Needle Bar Frame Driving Arm Set Screw
43696	1439	" " " " " Shaft
43698	1439	" " " Pitman Arm
2022	1469	" " " " " Pin
679c	1443	" " " " " Ball Screw Stud (arm end)
1520E	1435	Needle Bar Frame Pitman Ball Screw Stud (arm end) Nut
777c	1443	Needle Bar Frame Pitman Ball Screw Stud (frame end)
1518E	1450	Needle Bar Frame Pitman Ball Screw Stud (frame end) Nut
*66078	—	Needle Bar Frame Pitman Cap
171E	1449	" " " " " Screw
*66079	—	" " " " " End Bearing (arm end) for 66081
*66080	—	Needle Bar Frame Pitman End Bearing (frame end) for 66082
66081	1472	Needle Bar Frame Pitman Head (arm end) Nos. 679c, 66078, 66079 and two 171E
66082	1472	Needle Bar Frame Pitman Head (frame end) Nos. 777c, 66078, 66080 and two 171E
66083	1472	Needle Bar Frame Pitman Rod
1722E	1472	" " " " " Nut (left hand thread)
1723E	1472	Needle Bar Frame Pitman Rod Nut (right hand thread)
66077	1472	Needle Bar Frame Pitman complete, Nos. 1722E, 1723E and 66081 to 66083
577c	1449	Needle Bar Frame Screw Centre (lower)
1517E	1450	" " " " " " " Nut
945F	1449	Needle Bar Frame Screw Centre (upper)

NO.	PLATE	NAME
1517D	1450	Needle Bar Frame Screw Centre (upper) Nut.....
21553	1443	Needle Bar Frame Thread Eyelet.....
219D	1443	" " " " " Screw.....
21554	1443	" " Thread Eyelet.....
665D	1443	" " " " " Screw.....
66087	1472	" Plate.....
66088	—	Needle Plate complete, Nos. 66087, 66097, 66098 and four 1472F.....
691F	1444	Needle Plate Screw.....
857C	1450	" Set Screw.....
21555	1441	Oscillating Rock Shaft.....
21630	—	" " " 21555 with 4784 and 12388.....
12388	1441	Oscillating Rock Shaft Hinge Pin.....
448C	1443	" " " " " Set Screw.....
4784	1443	" " " Oil Pad.....
21556	1441	" Shaft.....
21557	1448	" " Crank with 460c and 1921.....
2049	1448	Oscillating Shaft Crank Pin.....
1921	1451	" " " Roller and Stud.....
460C	1448	" " " Set Screw.....
43576	1441	Presser Bar.....
43700	1443	" " Lifting Bracket with 448c....
43647	1441	" " " " Guide Bar....
453C	1450	" " " " " " Set Screw.....
448C	1443	Presser Bar Lifting Bracket Set Screw.....
43728	1437	" " " Lever with 119c, 1528J and 1810.....
119C	1449	Presser Bar Lifting Lever Adjusting Screw.....
1528J	1450	" " " " " " " Nut.....
65C	1450	Presser Bar Lifting Lever Hinge Screw.....
1810	1451	" " " " Roller and Stud.....
43702	1441	" " " " (intermediate) with 1433C, 1521E, 1611E and 21724....
21700	1443	Presser Bar Lifting Lever (intermediate) Hinge Stud.....
448C	1443	Presser Bar Lifting Lever (intermediate) Hinge Stud Set Screw.....
39303	1443	Presser Bar Lifting Lever (intermediate) Spring.....
1226E	1443	Presser Bar Lifting Lever (intermediate) Spring Screw Stud.....

NO.	PLATE	NAME
1433C	1443	Presser Bar Lifting Lever (intermediate) Trip Stud.....
1521E	1450	Presser Bar Lifting Lever (intermediate) Trip Stud Lock Nut.....
1611E	1450	Presser Bar Lifting Lever (intermediate) Trip Stud Nut.....
21724	1443	Presser Bar Lifting Lever (intermediate) Trip Stud Spring.....
11167	1441	Presser Bar Spring.....
11170	1439	" " " Washer.....
66048	—	" Foot Body.....
66073	1474	" " Bottom Plate.....
66074	1474	" " Extension.....
1477D	1444	" " " " Screw.....
66075	1474	Presser Foot complete, Nos. 665D, 1477D, 43740, 66048, 66073, 66074, 66076 and four 1329D.....
172C	1444	Presser Foot Screw.....
688J	1449	Pressure Regulating Thumb Screw.....
1648E	1450	" " " " Lock Nut.....
66085	1473	Pulley (loose).....
43650	1445	" (tight).....
43651	—	Pulley (tight) complete, Nos. 871E, 21615 to 21617, 21647, 21653, 43650 and two 997E.....
23668	1451	Pulley (tight) Pin.....
43652	—	Pulleys complete, Nos. 43651 and 66085..
2996	1446	Shuttle Bobbin.....
66105	—	" " Case.....
15140	1446	" " " Latch.....
2973	1446	" " " " Lever.....
2974	1446	" " " " " Fulcrum Pin.....
2975	1446	Shuttle Bobbin Case Latch Spring.....
592E	1446	" " " " " Stop Screw..
15141	1446	Shuttle Bobbin Case Hinge, Nos. 2973, 2974 and 15140.....
60089	1472	Shuttle Bobbin Case Position Finger.....
2523	1446	" " " " " Rivet.....
66090	1472	Shuttle Bobbin Case complete, Nos. 591E, 592E, 2523, 2975, 15141, 66089, 66105 and 224842.....
21562	1446	Shuttle Body.....
591F	1446	" Tension Regulating Screw.....
224842	1446	" " Spring.....

NO.	PLATE	NAME
66091	1472	Shuttle, 1 $\frac{1}{8}$ in. diam., Nos. 2996, 21562 and 66090.....
43745	1448	Shuttle Driver.....
2049	1448	" " Pin.....
43542	—	" Race Body.....
43543	1430	" " Cap.....
662D	1449	" " " Screw.....
2523	1446	" " " Steady Pin.....
43544	1430	" " Ring.....
18413	1430	" " " Spring.....
1289D	1430	" " " " Screw.....
43545	1430	Shuttle Race (flexible) complete, Nos. 662D, 2523, 43542 to 43544 and two each 1289D and 18413.....
171F	1449	Shuttle Race Screw.....
43704	1434	Starting Lever with 641C and 51804.....
43705	—	Starting Lever complete, Nos. 159F, 717C, 913C, 1520E, 1638E, 21643, 21649, 21651, 43583, 43658, 43704, two each 158E, 640F and three 21645.....
43706	1445	Starting Lever Bell Crank with 1921.....
43707	1445	" " " " Cam with 448C.....
23668	1451	" " " " " Pin.....
448C	1443	" " " " " Set Screw.....
802D	1449	" " " " " Hinge Screw.....
1921	1451	" " " " " Roller and Stud.....
21643	1447	" " " " " Belt Shifter.....
159F	1450	" " " " " Set Screw.....
21730	1434	" " " " " Bracket.....
8582	1451	" " " " " Dowel Pin.....
123E	1450	" " " " " Screw.....
21645	1448	" " " " " Cushion (rawhide).....
640F	1448	" " " " " Screw.....
43658	1438	" " " " " Extension.....
158E	1450	" " " " " Screw.....
51804	1451	" " " " " Roller and Stud.....
641C	1449	" " " " " Set Screw.....
564C	1449	" " " " " Screw Centre.....
1508E	1450	" " " " " Nut.....
14174	1445	" " " " " Spring.....
717C	1449	" " " " " Stop Screw.....
1520E	1435	" " " " " Nut.....
21647	1445	Stop Cam with 21652.....
43583	1445	" " Interlocking Rod.....
21649	1448	" " " " Guide with 1070c.....

NO.	PLATE	NAME
1070c	1448	Stop Cam Interlocking Rod Guide Set Screw.....
21651	1445	Stop Cam Interlocking Rod Spring.....
913C	1449	" " " " " Regulating Thumb Screw.....
1638E	1450	Stop Cam Interlocking Rod Spring Regulating Thumb Screw Nut.....
21652	1451	Stop Cam Pin.....
21615	1445	" " Spring (long).....
21616	1445	" " " (short).....
21653	1445	" " " Cover.....
997E	1450	" " " " Screw.....
21617	1448	" " " Stop Block.....
871E	1449	" " " " " Screw.....
2102	1448	Tension Disc.....
1560c	1448	" Regulating Thumb Nut.....
43708	1443	" Releasing Arm.....
190D	1440	" " " Screw.....
32572	1448	" " " Disc.....
43709	1448	" " " Pin.....
50327c	—	" Screw Stud.....
44141	—	" " " 50327c with 1560c.....
2103	1448	" Spring.....
12149	1448	" Thread Guard.....
43756	—	Tension complete, Nos. 2103, 7336, 8511, 32572, 43709, 44141 and two 2102.....
66092	1474	Thread Clamping Blade (lower).....
43661	1447	" " " (upper).....
43740	1444	" " " " Spring.....
665D	1443	" " " " " Screw.....
66093	1474	" Cutting Blade (lower).....
66094	1474	" " " " Connection and Holder.....
66095	1474	Thread Cutting Blade (lower) Connection (lever end).....
197F	1406	Thread Cutting Blade (lower) Connection Screw.....
66096	—	Thread Cutting Blade (lower) Connection and Holder complete, Nos. 66094, 66095 and two 197F.....
66097	1474	Thread Cutting Blade (lower) Guide.....
66098	1474	" " " " " Cap.....
1472F	1474	" " " " " " Screw.....
50411D	1474	Thread Cutting Blade (lower) Screw.....
43662	1447	" " " (upper).....
66076	1474	" " " " Cap.....

NO.	PLATE	NAME
1329d	1444	Thread Cutting Blade (upper) Cap Screw
66054	1468	“ “ “ “ Clamping Plate.....
66099	1474	Thread Cutting Blade (upper) Connection and Holder.....
66100	1474	Thread Cutting Blade (upper) Connection (lever end).....
197F	1406	Thread Cutting Blade (upper) Connection Screw.....
66101	—	Thread Cutting Blade (upper) Connection and Holder complete, Nos. 66099, 66100 and two 197F.....
50411d	1474	Thread Cutting Blade (upper) Screw.....
1289d	1430	“ “ “ “ Connection Hinge Screw (lever end).....
43714	1442	Thread Cutting Blade Lever with 330b and 1906.....
2049	1448	Thread Cutting Blade Lever Pin.....
1887	—	“ “ “ “ Roller and Screw Stud.....
1906	1451	Thread Cutting Blade Lever Roller and Screw Stud 1887 with 1520E and 14017
330b	1449	Thread Cutting Blade Lever Roller and Screw Stud Adjusting Screw.....
1520E	1435	Thread Cutting Blade Lever Roller and Screw Stud Nut.....
14017	1451	Thread Cutting Blade Lever Roller and Screw Stud Nut Washer.....
43715	1447	Thread Cutting Blade Lever Shaft.....
43716	1447	“ “ “ “ “ Arm with 207F.....
2049	1448	Thread Cutting Blade Lever Shaft Arm Pin.....
1887	—	Thread Cutting Blade Lever Shaft Arm Roller and Screw Stud.....
1906	1451	Thread Cutting Blade Lever Shaft Arm Roller and Screw Stud 1887 with 1520E and 14017.....
1520E	1435	Thread Cutting Blade Lever Shaft Arm Roller and Screw Stud Nut.....
14017	1451	Thread Cutting Blade Lever Shaft Arm Roller and Screw Stud Nut Washer.....
207F	1447	Thread Cutting Blade Lever Shaft Arm Set Screw.....
43717	1447	Thread Cutting Blade Lever Spring.....
161d	1447	“ “ “ “ “ Screw

NO.	PLATE	NAME
9525	1447	Thread Cutting Blade Lever Spring Screw Washer.....
43719	1447	Thread Eyelet (side of arm).....
190b	1440	“ “ “ “ Screw.....
*43764	—	“ Take-up Cam.....
21578	1441	“ “ “ 43764 with 446c.....
3012	1451	“ “ “ Pin.....
446c	1450	“ “ “ Set Screw.....
*21579	1447	“ “ “ Lever with 1819.....
43673	—	“ “ “ 21579 with 76c.....
76c	1450	“ “ “ Hinge Screw.....
1819	1447	“ “ “ Roller and Stud.....
8511	1448	“ “ “ Spring.....
7336	1448	“ “ “ Regulator.....
453c	1450	“ “ “ “ Set Screw

ACCESSORIES

NO.	PLATE	NAME
51072E	1475	Bolt with 51581E, to secure machine to table.....
51581E	1414	Bolt Nut.....
6055	1415	“ “ Washer.....
120346	1452	Oiler (copper plated) with 120347.....
120347	1452	“ Spout, 9 in. long.....
11831	1452	Screw Driver (large).....
26026	1417	“ “ (medium).....
26485	1417	“ “ (small).....
4822	1417	Wrench for 1521, 1528 and 1637.....
10875	1417	“ “ 1517, 1518, 1520, 1611, 1722 and 1723.....
21654	1452	Wrench for 1508 and 1638.....

THREAD CUTTER

NO.	PLATE	NAME
36472	1433	Thread Cutter for 58-9 Machine.....

BOBBIN WINDER

(SWINGING AUTOMATIC, LEFT HAND)

NO.	PLATE	NAME
126001	1470	Base with 1313E and 126003.....
162E	1471	“ Screw.....
126002	1470	Bracket with 458C.....

TABLE BELT GUIDE PARTS

NO.	PLATE	NAME
14229	1418	Bracket with 448c.....
14230	1418	Pulley.....
14231	1400	" Shaft with 858c.....
858c	1414	" " Plug Screw.....
448c	1407	" " Set Screw.....
14232	1418	Table Belt Guide complete, Nos. 14229 to 14231 and four wood screws 1¼ in. No. 10 R. H. B.....

STAND

FOR ⅓ H. P. ELECTRIC TRANSMITTER
(OBSOLETE)

NO.	PLATE	NAME
46673	7241	Brace.....
51009R	7243	" Bolt with 1510r.....
1510R	7243	" " Nut.....
9281R	1475	" " " Washer.....
46674	7241	Leg.....
46675	7241	" Brace.....
51088R	7243	" " Bolt (lower) with 51581r.....
51581R	1414	" " " " Nut.....
67425	7243	" " " " " Lock Washer.....
2018R	7243	" " " " " Washer.....
51083R	7243	" " " (upper) with 51581r.....
51581R	1414	" " " " Nut.....
67425	7243	" " " " " Lock Washer.....
9842R	7243	" " " " " Washer.....
46676	7242	" " Bracket (left).....
46677	7242	" " " (right).....
50606R	7243	" " " Bolt with 1600r.....
1600R	1475	" " " " Nut.....
9281R	1475	" " " " " Washer.....
46683	7241	Treadle Support.....
50606R	7243	" " Bolt with 1600r.....
1600R	1475	" " " Nut.....
9281R	1475	" " " " Washer.....
25291	—	Stand (iron work) complete, Nos. 46673, 46676, 46677, 46683, two each 2018R, 9842R, 46674, 46675, 51083R, 51088R, four each 50606R, 51009R, 67425 and eight 9281R.....

STAND

FOR SINGER INDIVIDUAL AND 1600 SERIES MOTORS

NO.	PLATE	NAME
126508	—	Leg.....
51057P	—	" Bolt with 1522r.....
1522R	—	" " Nut.....
126509	—	" " " Socket Washer.....
12620P	—	" " Washer.....
46707	—	" Brace with wood screw 1 in. No. 16.....
126530	—	" Cross Member, 15½ in. long.....
51057P	—	" " " Bolt with 1522r.....
1522R	—	" " " " Nut.....
126509	—	" " " " Socket Washer.....
12620P	—	" " " " Washer.....
126758	—	Leg with Rail complete, Nos. 126530, 126532, two 126508, three 12620P and four each 51057R and 126509.....
126532	—	Rail, 16 in. long.....
51057P	—	" Bolt with 1522R.....
1522R	—	" " Nut.....
126509	—	" " " Socket Washer.....
12620P	—	" " Washer.....
46711	—	Treadle Support.....
50297R	—	" " Bolt with 1522r.....
46712	—	" " " 50297R with 12620P and 46713.....
1522R	—	Treadle Support Bolt Nut.....
46713	—	" " " Packing.....
12620P	—	" " " Washer.....
25297	—	Stand (steel work) complete, Nos. 46711 and two each 46707, 46712 and 126758

STARTING LEVER ROCK SHAFT

FOR 25291 AND 25297

NO.	PLATE	NAME
14224	—	Chain, length 10¼ in., with 56864.....
56864	1475	" Hook.....
7124	7242	Rock Shaft.....
27683	7242	" " Arm with two 356c.....
356c	7243	" " " Set Screw.....
16128	7242	" " Hanger with two wood screws 1 in. No. 10.....
2770	7242	Rock Shaft Stop Dog with 356c.....
356c	7243	" " " " Set Screw.....
63981	—	Starting Lever Rock Shaft complete, Nos. 2770, 7124, 14224 and two each 16128 and 27683.....

THREAD UNWINDER

FOR TWO SPOOLS

NO.	PLATE	NAME
225395	7233	Spool Rest with 201018c
225388	7233	" " Rod
200383c	1471	" " " Set Screw
201018c	1471	" " " Set Screw
202490	7233	" Stand with 200383c
225391	7233	Thread Guide
201696J	1471	" " Lock Nut
225392	7233	" " Rod with 208E and 225393
208E	1432	" " " Screw
225393	1471	" " " Washer
225396	7233	Thread Unwinder complete, Nos. 201696J, 202490, 225388, 225392, 225395, two 225391 and three wood screws $\frac{3}{8}$ in. No. 12
27739	7234	Thread Cone (wood) for large cones
225390	7234	" " Holder, for inverted cones

NOTE: Nos. 27739 and 225390 are used with, but not included in, 225396

OBSOLETE PARTS

NO.	PLATE	NAME
21502	1424	Arm Shaft, used with 21613
21626	1416	" " for 21628
14003	1402	" " Flanged Bushing
144D	1414	" " Screw
43551	—	Button Carrier, use 43579
43552	—	Button Carrier complete for 58-9 Machine, Nos. 90D, 228D, 43551, 43553 and 43554, use 43580
43678	—	Button Carrier 43592 with 43607, 43608 and 43679, for 58-11 and 58-12 Machines, use 66059
66059	—	Button Carrier 43592 with 43607, 43608 66058, for 66060, use 66062
66060	—	Button Carrier 66059 with 2269, 43609 and 43612, for 58-11 and 58-12 Machines, use 66063
1438D	1435	Button Carrier Adjusting Arm Clamping Screw for 43594, use 1483D
43553	1427	Button Carrier Adjusting Lever
43554	1427	" " " " Spring

NO.	PLATE	NAME
43555	1427	Button Carrier Bar Connecting Rod 21507 with 14026 and 43557, for 58-9 Machine
43596	1438	Button Carrier Lever Connection (latch end) with 43602 and 43604
43598	1435	Button Carrier Lever Connection Adjusting Collar with 454c, for 43605 and 66070, use 66084
43599	1435	Button Carrier Lever Connection Adjusting Collar Set Screw Lock Stud for 43605 and 66070
43600	1435	Button Carrier Lever Connection Latch with 43602, use 66069
43601	1435	Button Carrier Lever Connection Latch Spring
43602	1435	Button Carrier Lever Connection Latch Spring Hook
652D	1450	Button Carrier Lever Connection Hinge Screw for 58-11 and 58-12 Machines, use 50618D
43605	—	Button Carrier Lever Connection complete for 58-11 and 58-12 Machines, Nos. 184D, 43596 to 43601 and 43603, use 66070
43679	1435	Button Carrier Plate for 43678, use 66058
66058	—	" " " " 66059, use 66061
652D	1450	" " Rod Hinge Screw for 58-11 and 58-12 Machines, use 50618D
43613	1435	Button Carrier Supporting Arm for 58-11 and 58-12 Machines, use 66064
43559	1427	Button Guide for 58-9 Machine
939D	1432	" " Thumb Screw for 43574
43561	—	Button Retaining Spring, for Nos. 434 to 512 buttons, for 58-9 Machine, use 43560
21608	1411	Button Stop Plate for 21609, for 58-4 Machine
240D	1411	Button Stop Plate Screw
43619	—	Chute Cover with 50079D, for 58-11 Machine, use 43731
21528	1407	Feed Regulating Fork with 448c, for 58-1 to 58-3, 58-5 and 58-9 Machines
5544	1407	Feed Regulator Crank with two 448c, for 58-1 to 58-3, 58-5 and 58-9 Machines
448c	1407	Feed Regulator Crank Set Screw
21531	1407	" " " Shaft for 58-1 to 58-3, 58-5 and 58-9 Machines
21590	—	Foot Lifter complete, Nos. 65c, 191c, 5670, 14211 and 21585 to 21587

NO.	PLATE	NAME
21560	1406	Presser Foot complete for 58-1 and 58-2 Machines, Nos. 197c, 21593 and 21594, use 43516
43703	1411	Presser Foot with 43663 and four 4329b, for 58-11 Machine
43737	---	Presser Foot Body for 43739
43738	1441	" " Extension for 43739
43739	1441	Presser Foot complete for 58-11 Machine, Nos. 665b, 1477b, 43663, 43737, 43738, 43740 and four 4329b, use 43743
43741	---	Presser Foot Body for 43743
43742	---	" " Extension for 43743
43743	---	Presser Foot complete for 58-11 Machine, Nos. 665b, 1477b, 43663, 43740 to 43742 and four 4329b, use 66050
66049	1458	Presser Foot Extension for 66050
66050	1463	Presser Foot complete for 58-11 Machine, Nos. 665b, 1477b, 43740, 66048, 66049, 66051 and four 4329b
21612	1401	Pulley (loose)
14236	1404	" " for 21628
21638	1419	" " " 21611 and 43652, use 66085
14165	1408	Pulley (loose) Washer
14222	1408	" " " Steady Pin for 14213 and 14238
14213	1401	Pulley (tight) with 14222, for 21613
14238	1404	" " " " " 21627
895c	1414	" " Position Screw
437c	1415	" " Set Screw
21613	---	Pulley (tight) 14213 with 437c, 871c, 895c, 14169, 14172, 21576, 21615 to 21617 and three 398c, for 21502
21627	---	Pulley (tight) 14238 with 871c, 14169, 14172, 21576, 21615 to 21617, two 895c and three 398c, for 21628
21628	---	Pulleys complete, Nos. 14236 and 21627
15142	1427	Shuttle Bobbin Case complete, Nos. 591c, 592c, 2523, 2975, 15027, 15098 and 15141, use 15277
15098	1427	Shuttle Tension Spring for 15142
21564	1431	" Race, use 21625
21565	---	" Cap for 21566
21566	1431	Shuttle Race Cap complete, Nos. 6472, 21565 and two 240b
6472	1431	Shuttle Race Cap Latch for 21566
240b	1411	" " " " Screw for 21566

NO.	PLATE	NAME
102d	1431	Shuttle Race Cap Screw
21614	1404	Starting Crank for 21572
21567	---	" " use 21614
2117	1413	" " Pin for 21572
21568	1404	" Lever with 422c, 443c, 743c and 1518c, for 21572
422c	1414	Starting Lever Adjusting Screw for 21568
1518c	1408	" " " " Nut for 21568
21569	1408	Starting Lever Belt Shifter for 21572
21570	1404	" " Bracket
116E	1414	" " Screw
21571	1404	" " Hinge Pin for 21572
743c	1414	" " " " Position Screw for 21568
443c	1414	Starting Lever Hinge Pin Set Screw for 21568
21572	---	Starting Lever complete, Nos. 2117, 14204, 14206, 21568, 21569, 21571, 21614 and two 159E
14210	1418	Starting Treadle Stand for 14211
14211	1418	Starting Treadle complete for 21590, Nos. 7585, 14209, 14210 and four wood screws 1 1/4 in. No. 12, use 14358
21574	1403	Stitch Forming Cam Driver for 58-1 Machine
21589	1403	Stitch Forming Cam Driver for 58-2 Machine
14068	1403	Stitch Forming Cam Driver for 58-4 and 58-5 Machines
14089	1403	Stitch Forming Cam Driver Cam with two 448c, for 58-2 and 58-3 Machines
14069	1403	Stitch Forming Cam Driver Cam with two 448c, for 58-4 and 58-5 Machines
14169	1404	Stop Cam Collar for 21613 and 21627
21576	1404	" " with 14208, for 21613 and 21627
14204	1404	" " Interlocking Lever for 21572
14174	1404	" " " " Spring
21648	1419	" " " Rod, use 43583
21650	1421	" " " " Guide Washer (rawhide) use 14277
14208	1408	Stop Cam Pin for 21576
14172	1404	" " Spring Cover for 21613 and 21627
398E	1414	Stop Cam Spring Cover Screw for 21613 and 21627

OBSOLETE PARTS

NO.	PLATE	NAME
1338c	1448	Tension Screw Stud for 43755, use 50327c
43755	—	" " " 1338c with 1560c, for 43756, use 41141
21611	1411	Thread Cutter for 21609
43746	—	" Clamping Blade for 58-11 Machine
43747	—	" Cutting Blade for 58-11 Machine
43663	1444	" " " Cap for 43703, 43739 and 43743
66051	1468	Thread Cutting Blade Cap for 66050
43711	1447	" " " Connection (holder end) for 43713
43712	1447	Thread Cutting Blade Connection (lever end) for 43713 and 66056
43713	1447	Thread Cutting Blade Connection com- plete for 58-11 Machine, Nos. 43711, 43712 and two 207F
93H	1449	Thread Cutting Blade Connection Hinge Screw (holder end) for 58-11 Machine
43665	1447	Thread Cutting Blade Holder for 58-11 Machine
43748	—	Thread Cutting Blade Holder for 58-11 Machine
233D	1435	Thread Cutting Blade Screw for 58-11 Machine, use 50411D

SINGER Needles should be used
in SINGER Machines.
These Needles and their Containers
are marked with the
Company's Trade Mark "SIMANCO." 1

Needles in Containers marked
"FOR SINGER MACHINES"
are NOT **SINGER** made needles. 2

NUMERICAL LIST OF PARTS

NUMERICAL LIST OF PARTS

NO.	PLATE	NAME
24d	1414	Trip Lever Hinge Screw for 58-1 to 58-5 and 58-9 Machines, obsolete.....
35d	1414	Bobbin Winder Stop Latch Hinge Screw for 27647.....
36d	1412	Presser Bar Lifter Screw, obsolete.....
65c	1414	Foot Lifter Lifting Lever Hinge Screw for 21590, obsolete.....
65c	1450	Presser Bar Lifting Lever Hinge Screw ..
76c	1450	Thread Take-up Lever Hinge Screw for 43673.....
86d	1449	Thread Cutting Blade Connection Hinge Screw (lever end) for 58-11 Machine, obsolete.....
89d	1426	Chute Tip Hinge Screw for 43567, obsolete
90d	1428	Button Carrier Adjusting Lever Hinge Screw for 43552 and 43580, obsolete...
90d	1412	Tension Releasing Lever Hinge Screw for 58-1 to 58-5 and 58-9 Machines, obsolete
93h	1449	Thread Cutting Blade Connection Hinge Screw (holder end) for 58-11 Machine, obsolete.....
102d	1431	Shuttle Race Cap Screw, obsolete.....
103d	1412	Hopper Brush Carrier Pawl Spring Screw for 21548, 21605, 43510, 43513 and 43574 obsolete.....
116E	1414	Starting Lever Bracket Screw, obsolete ..
119c	1449	Presser Bar Lifting Lever Adjusting Screw for 21635 and 43728.....
123E	1450	Starting Lever Bracket Screw
133F	1405	Button Guide Screw for 21605 and 43513, obsolete.....
141F	1405	Button Guide Block Screw for 21548 and 43510, obsolete.....
141c	1405	Foot Lifter Lifting Lever Adjusting Screw for 21585, obsolete.....
141d	1405	Presser Bar Lifting Lever Adjusting Screw for 43701, obsolete.....
144d	1414	Arm Shaft Screw, obsolete.....
152E	1471	Bobbin Winder Stop Latch Screw for 126010.....
155c	1408	Bobbin Winder Pulley Set Screw for 126005.....
155c	1408	Needle Bar Connecting Stud Set Screw for 21629, obsolete.....

NO. PLATE	NAME
156c 1408	Feed Rock Shaft Crank Position Screw for 58-1 to 58-3 and 58-5 Machines, obsolete.....
157D 1406	Button Carrier Bar Connection Joint Clamping Screw for 21511 and 43558, obsolete.....
158E 1450	Crank Connecting Rod Cap Screw for 12108.....
158E 1450	Needle Bar Frame Cam Cover Screw for 58-11, 58-12 and 58-15 Machines.....
158E 1450	Starting Lever Extension Screw for 43705
159F 1450	" " Belt Shifter Set Screw for 21572, 21646 and 43705.....
159F 1414	Starting Lever Trip Stud Set Screw for 21572 and 21646, obsolete.....
161D 1447	Thread Cutting Blade Lever Spring Screw for 58-11 and 58-15 Machines.....
162E 1471	Bobbin Winder Base Screw for 126011....
171F 1406	Button Gauge Set Screw for 21504, obsolete
171F 1449	Chute Frame Screw (upper) for 43689....
171F 1406	" Screw for 21548, 21605, 43510 and 43513, obsolete.....
171F 1406	Chute Screw (upper) for 43574, obsolete
171F 1449	Hopper Brush Carrier Shaft Ratchet Wheel Screw for 66057.....
171E 1449	Needle Bar Frame Pitman Cap Screw for 66081 and 66082.....
171F 1449	Shuttle Race Screw.....
172F 1406	Button Carrier Screw for 58-1 to 58-5 and 58-9 Machines, obsolete.....
172c 1444	Presser Foot Screw.....
175D 1471	Bobbin Winder Tension Bracket Clamping Screw for 41635.....
175D 1435	Button Carrier Supporting Stud Clamping Screw for 43616.....
175E 1435	Needle Bar Frame Pitman Cap (back) Screw for 43697, obsolete.....
175E 1435	Needle Bar Frame Pitman Cap (front) Screw for 43697, obsolete.....
184D 1439	Button Carrier Lever Connection Latch Hinge Screw for 43605 and 66070.....
184D 1439	Hopper Brush Carrier Shaft Ratchet Wheel Lever Guide Screw for 58-11, 58-12 and 58-15 Machines.....
184D 1439	Hopper Brush Carrier Shaft Ratchet Wheel Lever Hinge Screw for 58-11, 58-12 and 58-15 Machines.....

NO. PLATE	NAME
184D 1439	Hopper Brush Carrier Shaft Ratchet Wheel Lever Pawl Hinge Screw for 58-11, 58-12 and 58-15 Machines.....
187D 1443	Needle Bar Connecting Stud Clamping Screw for 43644.....
190D 1407	Button Retaining Spring Screw for 21525, obsolete.....
190D 1407	Feed Regulator Clamping Screw for 21530, obsolete.....
190D 1407	Feed Rock Shaft Crank Set Screw for 21536, obsolete.....
190D 1440	Hopper Brush Carrier Shaft Ratchet Wheel Brake Lever Stop Bracket Screw for 43689.....
190D 1440	Hopper Brush Carrier Shaft Ratchet Wheel Lever Guide Bracket Screw for 43689.....
190D 1440	Tension Releasing Arm Screw for 58-11, 58-12 and 58-15 Machines.....
190D 1440	Thread Eyelet (side of arm) Screw for 58-11, 58-12 and 58-15 Machines.....
191c 1414	Foot Lifter Lifting Lever Spring Screw for 21590, obsolete.....
191F 1414	Needle Bar Frame Pitman Connection Screw for 43536, obsolete.....
191c 1414	Presser Bar Lifting Lever Spring Screw for 58-1 to 58-5 and 58-9 Machines, obsolete.....
197F 1406	Button Shank Adjusting Piece Screw for 21560, 21632 and 43516, obsolete.....
197F 1406	Thread Cutting Blade (lower) Connection Screw for 66096.....
197F 1406	Thread Cutting Blade (upper) Connection Screw for 66101.....
200c 1468	Needle Bar Frame Driving Arm Set Screw for 43695.....
207K 1405	Button Carrier Bar Connecting Rod Adjusting Collar Set Screw for 21509, obsolete.....
207K 1405	Button Carrier Bar Connecting Rod Spring Collar Set Screw for 21509 and 43556, obsolete.....
207F 1405	Button Guide Screw for 58-1 and 58-2 Machines, obsolete.....
207F 1405	Button Receiving Guide Screw for 21548 and 43510, obsolete.....

NO.	PLATE	NAME
207F	1405	Button Retaining Spring Screw for 43571, obsolete
207F	1405	Chute Cover Adjusting Stud Set Screw for 21525 and 21601, obsolete
207F	1447	Chute Frame Screw (lower) for 58-11, 58-12 and 58-15 Machines
207F	1405	Chute Screw (lower) for 58-9 Machine, obsolete
207D	1405	Chute Support Bracket Screw for 58-3 to 58-5 Machines, obsolete
207F	1405	Hopper Rim Screw for 21548, 21605, 43510, 43513, 43574 and 43689, obsolete, use 217J
207F	1405	Needle Bar Frame Thread Eyelet Screw for 58-1 to 58-5 and 58-9 Machines, obsolete
207F	1447	Thread Cutting Blade Connection Screw for 43713 and 66056, obsolete
207F	1447	Thread Cutting Blade Lever Shaft Arm Set Screw for 43716
208E	1432	Thread Unwinder Thread Guide Rod Screw for 225392
209F	1406	Button Carrier Holder Set Screw for 21512 and 43521, obsolete
217F	1436	Belt Cover Screw for 58-9, 58-11, 58-12 and 58-15 Machines
217J	1432	Hopper Rim Screw for 21548, 21605, 43510, 43513, 43574 and 43689
219F	1414	Button Guide Spring Screw for 21525, obsolete
219F	1414	Button Guiding Spring Screw for 21601, obsolete
219D	1443	Needle Bar Frame Thread Eyelet Screw
225c	1411	Feed Dog Screw for 58-1 to 58-3 and 58-5 Machines, obsolete
228D	1428	Button Carrier Adjusting Lever Spring Screw for 43552 and 43580, obsolete
229D	1439	Hopper Brush Carrier Shaft Ratchet Wheel Lever Pawl Spring Screw for 58-11, 58-12 and 58-15 Machines
233D	1435	Button Carrier Supporting Stud Cap Screw for 58-11, 58-12 and 58-15 Machines
233D	1428	Presser Foot Button Guide Screw for 43514, obsolete
233D	1435	Thread Cutting Blade Screw for 58-11 Machine, obsolete, use 50411D

NO.	PLATE	NAME
240D	1411	Button Stop Plate Screw for 21609, obsolete
240D	1411	Shuttle Race Cap Latch Screw for 21566, obsolete
286D	1414	Hopper Gate Thumb Screw for 21548 and 21605, obsolete
330D	1449	Thread Cutting Blade Lever Roller and Serew Stud Adjusting Screw for 43714
337D	1444	Button Retaining Spring Screw for 58-11, 58-12 and 58-15 Machines
337D	1444	Thread Cutter Screw for 58-11 and 58-12 Machines
354c	1414	Foot Lifter and Starting Treadle Connection Clamp Screw for 9079
356c	7243	Starting Lever Rock Shaft Arm Set Screw for 27683
356c	7243	Starting Lever Rock Shaft Stop Dog Set Screw for 2770
375c	1450	Crank Connecting Rod Hinge Screw
375c	1408	Feed Connecting Link Hinge Screw for 58-1 to 58-3 and 58-5 Machines, obsolete
375c	1408	Feed Forked Connection Hinge Screw for 58-1 to 58-3 and 58-5 Machines, obsolete
377c	1450	Needle Bar Connecting Link Hinge Screw
377c	1408	" " Frame Pitman Hinge Screw for 58-1 to 58-5 and 58-9 Machines, obsolete
398E	1414	Stop Cam Spring Cover Screw for 21613 and 21627, obsolete
399F	1415	Starting Lever Cushion Screw for 21646, obsolete
413c	1412	Tension Screw Stud for 58-1 to 58-5 and 58-9 Machines, obsolete
418E	1413	Bobbin Winder Tension Screw Stud for 27308 and 41636
422c	1414	Starting Lever Adjusting Screw for 21568, obsolete
436c	1475	Hopper Brush Carrier Shaft Ratchet Wheel Brake Lever Block Spring Adjusting Screw for 43689
437c	1450	Arm Shaft Flanged Bushing (back) Adjusting Screw
437c	1415	Pulley (tight) Set Screw for 21613, obsolete
443c	1414	Starting Lever Hinge Pin Set Screw for 21568, obsolete
445c	1450	Hopper Brush Carrier Shaft Ratchet Wheel Brake Lever Block Spring Adjusting Screw for 43689, obsolete, use 436c

NO.	PLATE	NAME
445c	1414	Hopper Brush Carrier Worm Set Screw for 21545 and 43671, obsolete.....
446c	1414	Feed Cam Set Screw for 3032, obsolete..
446c	1414	Presser Bar Lifting Bracket Set Screw for 21559, obsolete.....
446c	1450	Thread Take-up Cam Set Screw for 21578
448c	1407	Arm Shaft Flanged Bushing (back) Set Screw.....
448c	1407	Button Carrier Bar Connecting Rod Stop Set Screw for 58-9 Machine, obsolete..
448c	1407	Feed Regulating Fork Set Screw for 21655, obsolete.....
448c	1407	Feed Regulator Crank Set Screw for 5544 and 21528, obsolete.....
448c	1407	Feed Regulator Crank Shaft Bushing Set Screw for 58-1 to 58-3 and 58-5 Machines, obsolete.....
448c	1443	Hopper Brush Carrier Forked Connection Shaft Bushing Set Screw for 58-11, 58-12 and 58-15 Machines.....
448c	1407	Hopper Brush Carrier Shaft Worm Wheel Set Screw for 21544, obsolete.....
448c	1443	Needle Bar Frame Cam Set Screw for 43690, 43750, 66065, 66066, 66102 and 66103.....
448c	1443	Needle Bar Frame Cam Worm Set Screw for 43693.....
448c	1443	Needle Bar Frame Cam Worm Wheel Set Screw for 43694.....
448c	1443	Oscillating Rock Shaft Hinge Pin Set Screw.....
448c	1443	Presser Bar Lifting Bracket Set Screw for 43700.....
448c	1443	Presser Bar Lifting Lever (intermediate) Hinge Stud Set Screw.....
448c	1443	Starting Lever Ball Crank Cam Set Screw for 43707.....
448c	1407	Stitch Forming Cam Driver Cam Set Screw for 14069, 14089, 21575, 21707 and 21708, obsolete.....
448c	1407	Table Belt Guide Pulley Shaft Set Screw for 14229.....
448c	1407	Thread Take-up Spring Regulator Set Screw for 58-1 to 58-5 and 58-9 Machines, obsolete.....
450c	1405	Hopper Brush Carrier Shaft Collar Set Screw for 21543, obsolete.....

NO.	PLATE	NAME
453c	1450	Presser Bar Lifting Bracket Guide Bar Set Screw for 58-11, 58-12 and 58-15 Machines.....
453c	1450	Thread Take-up Spring Regulator Set Screw for 58-11, 58-12 and 58-15 Machines.....
454c	1435	Button Carrier Lever Connection Adjusting Collar Set Screw for 43598 and 66084
454c	1435	Hopper Brush Carrier Shaft Ratchet Wheel Hub Set Screw for 43637.....
456c	1440	Hopper Brush Carrier Eccentric Set Screw for 43624.....
457c	1405	Button Carrier Bar Collar Set Screw for 21506, obsolete.....
457c	1435	Button Carrier Rod Adjusting Collar Set Screw for 43610.....
457c	1435	Button Carrier Rod Head Set Screw for 43612.....
457c	1435	Hopper Brush Carrier Forked Connection Set Screw for 43625.....
457c	1405	Presser Bar Stop Collar Set Screw for 21506, obsolete.....
457c	1405	Stitch Forming Cam Trip Stud Set Screw for 21573, 21588, 21610 and 21620, obsolete.....
458c	1469	Bobbin Winder Tension Bracket Rod Set Screw for 126002.....
458c	1469	Hopper Brush Carrier Worm Adjusting Collar Set Screw for 43672, obsolete..
460c	1407	Button Switch Stud (lower) Set Screw for 43572, obsolete.....
460c	1448	Button Switch Stud Set Screw for 21602, 43512 and 43683.....
460c	1407	Feed Regulator Hinge Pin Collar Set Screw for 6533, obsolete.....
460c	1407	Feed Regulator Thumb Screw Collar Set Screw for 6533, obsolete.....
460c	1448	Oscillating Shaft Crank Set Screw for 21557.....
465c	1432	Stitch Forming Cam Trip Stud Set Screw for 43546, obsolete.....
564c	1449	Starting Lever Screw Centre.....
577c	1449	Needle Bar Frame Screw Centre (lower)..
591F	1446	Shuttle Tension Regulating Screw for 15142, 15277, 43725 and 66090.....
592E	1446	Shuttle Bobbin Case Latch Stop Screw for 15142, 15277, 43725 and 66090.....

NO.	PLATE	NAME
640F	1448	Starting Lever Cushion Screw for 43705..
641c	1449	" " Roller and Stud Set Screw for 43704
643E	1469	Button Carrier Bar Connecting Rod Stop Adjusting Screw for 43669, obsolete...
646F	1406	Button Carrier Bar Connection Hinge Screw for 58-1 to 58-5 and 58-9 Ma- chines, obsolete.....
648D	1409	Shuttle Race Ring Spring Screw for 21625, obsolete.....
652D	1450	Button Carrier Lever Connection Hinge Screw for 58-11 and 58-12 Machines, obsolete, use 50618D.....
652D	1450	Button Carrier Rod Hinge Screw for 58-11 and 58-12 Machines, obsolete, use 50618D.....
662D	1449	Shuttle Race Cap Screw for 21625 and 43545.....
665D	1443	Needle Bar Thread Eyelet Screw.....
665D	1443	Thread Clamping Blade Spring Screw for 43739, 43743, 66050 and 66075.....
665D	1443	Thread Clamping Blade (upper) Spring Screw for 66075, for 58-15 Machine....
679c	1443	Needle Bar Frame Pitman Ball Screw Stud (arm end) for 43763 and 66081....
688J	1449	Pressure Regulating Thumb Screw.....
691F	1444	Needle Plate Screw for 58-4, 58-9, 58-11, 58-12 and 58-15 Machines.....
691F	1411	Throat Plate Screw for 58-1 to 58-3 and 58-5 Machines, obsolete.....
715D	1436	Button Guide Thumb Screw for 43574 and 43689.....
717c	1415	Starting Lever Stop Screw for 21646 and 43705.....
732D	1436	Button Carrier Supporting Arm Shaft Cap Screw for 58-11, 58-12 and 58-15 Ma- chines.....
743c	1414	Starting Lever Hinge Pin Position Screw for 21568, obsolete.....
765c	1415	Stitch Forming Cam Driver Cam Position Screw for 21575, 21707 and 21708, obsolete.....
777c	1443	Needle Bar Frame Pitman Ball Screw Stud (frame end) for 43763 and 66082..
793D	1426	Chute Tip Thumb Screw for 43567, obsolete
802D	1449	Button Carrier Lever Hinge Screw for 58-11, 58-12 and 58-15 Machines.....

NO.	PLATE	NAME
802c	1414	Button Feed Lever Hinge Screw for 58-1 to 58-5 and 58-9 Machines, obsolete...
802c	1414	Needle Bar Frame Driving Lever Hinge Screw for 58-1 to 58-5 and 58-9 Ma- chines, obsolete.....
802D	1449	Starting Lever Bell Crank Hinge Screw for 58-11, 58-12 and 58-15 Machines...
810E	1426	Stitch Forming Cam Driver Sliding Block Cap Screw for 58-1 to 58-5 and 58-9 Machines, obsolete.....
857c	1450	Needle Set Screw for 21549.....
858c	1414	Table Belt Guide Pulley Shaft Plug Screw for 14231.....
871E	1449	Belt Cover Bracket Screw Stud for 43584
871E	1449	Stop Cam Spring Stop Block Screw for 21613, 21627, 21640 and 43651.....
888c	1415	Hopper Brush Carrier Worm Position Screw for 21545 and 43671, obsolete...
895c	1411	Pulley (tight) Position Screw for 21613 and 21627, obsolete.....
913c	1449	Stop Cam Interlocking Rod Spring Regu- lating Thumb Screw for 21646 and 43705
939D	1432	Button Guide Thumb Screw for 43574, obsolete.....
942D	1405	Button Guiding Screw for 21548 and 43510, obsolete.....
943D	1407	Feed Regulator Thumb Screw for 21534, obsolete.....
944F	1449	Hopper Base Screw.....
945F	1449	Needle Bar Frame Screw Centre (upper)
946D	1440	Hopper Brush Carrier Handle Screw for 43689.....
946D	1412	Hopper Brush Carrier Pawl Hinge Screw for 21548, 21605, 43510, 43513 and 43574, obsolete.....
997E	1450	Stop Cam Spring Cover Screw for 21640 and 43651.....
1019c	1426	Button Switch Stud (upper) Set Screw for 43572, obsolete.....
1053D	1436	Button Guide Extension Screw for 43588
1053D	1428	Thread Cutter Screw for 58-4 Machine and 43575, obsolete.....
1069D	1415	Arm Shaft Screw.....
1070c	1448	Stop Cam Interlocking Rod Guide Set Screw for 21649.....
1226E	1443	Presser Bar Lifting Lever (intermediate) Spring Screw Stud for 58-11, 58-12 and 58-15 Machines.....

NO.	PLATE	NAME
1253c	1425	Button Carrier Bar Stop Clamping Screw for 43520, obsolete
1253c	1440	Hopper Brush Carrier Forked Connection Shaft Collar Set Screw for 43801
1289d	1430	Shuttle Race Ring Spring Screw for 43545
1289d	1430	Thread Cutting Blade Connection Hinge Screw (lever end) for 58-15 Machine
1302d	1436	Button Switch Plate (back) Screw for 43683
1302d	1436	Button Switch Plate (front) Screw for 43683
1302d	1427	Presser Foot Button Shank Guide Screw for 43577, obsolete
1313e	1471	Bobbin Winder Brake Screw for 126001
1329d	1444	Thread Cutting Blade Cap Screw for 43703, 43739, 43743, 66050 and 66075
1329d	1444	Thread Cutting Blade (upper) Cap Screw for 66075, for 58-15 Machine
1338c	1448	Tension Screw Stud for 43755, obsolete, use 50327c
1419c	1426	Presser Bar Lifting Lever (intermediate) Trip Stud for 21709, obsolete
1430d	1471	Bobbin Winder Stop Latch Thumb Lever Hinge Screw for 126010
1430d	1471	Bobbin Winder Stop Latch Trip Lever Hinge Screw for 126010
1433c	1443	Presser Bar Lifting Lever (intermediate) Trip Stud for 43702
1438d	1435	Button Carrier Adjusting Arm Clamping Screw for 43594, obsolete, use 1483d
1472f	1474	Thread Cutting Blade (lower) Guide Cap Screw for 66088
1477d	1444	Presser Foot Extension Screw for 43739, 43743, 43754, 66050 and 66075
1483d	1475	Button Carrier Adjusting Arm Clamping Screw for 43594
1508E	1450	Starting Lever Screw Centre Nut
1510R	7243	Brace Bolt Nut for 51009r, obsolete
1517E	1415	Arm Shaft Flanged Bushing (back) Adjusting Screw Nut
1517E	1415	Hopper Brush Carrier Shaft Ratchet Wheel Brake Lever Block Spring Adjusting Screw Nut for 43689
1517E	1450	Needle Bar Frame Screw Centre (lower) Nut
1517D	1450	Needle Bar Frame Screw Centre (upper) Nut

NO.	PLATE	NAME
1518E	1408	Button Carrier Bar Connecting Rod Lock Nut for 58-9 Machine, obsolete
1518E	1408	Button Carrier Bar Connecting Rod Stop Adjusting Screw Nut for 43669, obsolete
1518E	1450	Crank Connecting Rod Hinge Screw Nut
1518E	1408	Feed Connecting Link Hinge Screw Nut for 58-1 to 58-3 and 58-5 Machines, obsolete
1518E	1408	Feed Forked Connection Hinge Screw Nut for 58-1 to 58-3 and 58-5 Machines, obsolete
1518E	1450	Needle Bar Connecting Link Hinge Screw Nut
1518E	1450	Needle Bar Frame Pitman Ball Screw Stud (frame end) Nut for 58-11, 58-12 and 58-15 Machines
1518E	1408	Needle Bar Frame Pitman Hinge Screw Nut for 58-1 to 58-5 and 58-9 Machines, obsolete
1518c	1408	Starting Lever Adjusting Screw Nut for 21568, obsolete
1520E	1435	Button Carrier Lever Connection Latch Trip Screw Stud Nut for 58-11, 58-12 and 58-15 Machines
1520E	1414	Button Feed Lever Roller and Screw Stud Nut for 1906, obsolete
1520E	1414	Needle Bar Frame Driving Lever Roller and Screw Stud Nut for 1906, obsolete
1520E	1435	Needle Bar Frame Pitman Ball Screw Stud (arm end) Nut for 58-11, 58-12 and 58-15 Machines
1520E	1435	Starting Lever Stop Screw Nut for 21646 and 43705
1520E	1435	Thread Cutting Blade Lever Roller and Screw Stud Nut for 1903
1520E	1435	Thread Cutting Blade Lever Shaft Arm Roller and Screw Stud Nut for 1903
1521E	1428	Button Carrier Adjusting Lever Roller and Screw Stud Nut for 1961, obsolete
1521E	1450	Presser Bar Lifting Lever (intermediate) Trip Stud Lock Nut for 21709 and 43702
1522R	—	Leg Bolt Nut for 51057
1522R	—	" Cross Member Bolt Nut for 51057
1522R	—	Rail Bolt Nut for 51057
1522R	—	Treadle Support Bolt Nut for 50297
1528J	1414	Foot Lifter Lifting Lever Adjusting Screw Nut for 21585, obsolete

NO.	PLATE	NAME
1528J	1450	Presser Bar Lifting Lever Adjusting Screw Nut for 21635, 43701 and 43728
1538D	1450	Chute Cover Thumb Nut for 43571 and 43622
1538D	1450	Hopper Gate Thumb Nut for 43510, 43513, 43574 and 43689
1560C	1448	Tension Regulating Thumb Nut for 43755, 44141 and obsolete for 58-1 to 58-5 and 58-9 Machines
1562J	1413	Bobbin Winder Tension Regulating Thumb Nut for 27308 and 41636
1600R	1475	Leg Brace Bracket Bolt Nut for 50606, obsolete
1600R	1475	Treadle Support Bolt Nut for 50606, obsolete
1611E	1450	Presser Bar Lifting Lever (intermediate) Trip Stud Nut for 21709 and 43702
1620J	1471	Bobbin Winder Frame Hinge Screw Nut for 27647
1637E	1450	Button Carrier Lever Connection Hinge Screw Nut for 58-11, 58-12 and 58-15 Machines
1637E	1450	Button Carrier Rod Hinge Screw Nut for 58-11, 58-12 and 58-15 Machines
1638E	1450	Stop Cam Interlocking Rod Spring Regulating Thumb Screw Nut for 21646 and 43705
1648E	1450	Pressure Regulating Thumb Screw Lock Nut for 58-11, 58-12 and 58-15 Machines
1711J	1450	Chute Cover Lock Nut for 43571 and 43622
1721E	1425	Button Carrier Bar Connecting Rod Nut for 58-9 Machine, obsolete
1722E	1472	Needle Bar Frame Pitman Rod Nut (left hand thread) for 66077
1723E	1472	Needle Bar Frame Pitman Rod Nut (right hand thread) for 66077
1810	1451	Presser Bar Lifting Lever Roller and Stud for 21635, 43701 and 43728
1819	1447	Thread Take-up Lever Roller and Stud for 21579
1887	----	Button Feed Lever Roller and Screw Stud for 1906, obsolete
1887	----	Needle Bar Frame Driving Lever Roller and Screw Stud for 1906, obsolete
1887	----	Thread Cutting Blade Lever Roller and Screw Stud for 1906

NO.	PLATE	NAME
1887	----	Thread Cutting Blade Lever Shaft Arm Roller and Screw Stud for 1906
1906	1415	Button Feed Lever Roller and Screw Stud 1887 with 1520E and 14017, for 58-1 to 58-5 and 58-9 Machines, obsolete
1906	1415	Needle Bar Frame Driving Lever Roller and Screw Stud 1887 with 1520E and 14017, for 58-1 to 58-5 and 58-9 Machines, obsolete
1906	1451	Thread Cutting Blade Lever Roller and Screw Stud 1887 with 1520E and 14017, for 43714
1906	1451	Thread Cutting Blade Lever Shaft Arm Roller and Screw Stud 1887 with 1520E and 14017, for 58-11 and 58-15 Machines
1920	1407	Feed Regulator Roller and Stud for 21530, obsolete
1921	1415	Oscillating Shaft Crank Roller and Stud for 21557
1921	1451	Starting Lever Bell Crank Roller and Stud for 43706
1961	1428	Button Carrier Adjusting Lever Roller and Screw Stud with 1521E and 9525, for 58-9 Machine, obsolete
2017	1426	Presser Bar Lifting Lever Adjusting Screw Bracket Rivet for 21635 and 43701, obsolete
2018R	7243	Leg Brace Bolt (lower) Nut Washer for 25291, obsolete
2022	1469	Needle Bar Frame Driving Arm Pin for 58-11, 58-12 and 58-15 Machines
2022	1469	Needle Bar Frame Pitman Arm Pin for 58-11, 58-12 and 58-15 Machines
2049	1407	Button Carrier Bar Connection Joint Pin for 58-1 to 58-5 and 58-9 Machines, obsolete
2049	1407	Button Carrier Holder Pin for 58-1 to 58-5 and 58-9 Machines, obsolete
2049	1407	Feed Regulator Dowel Pin for 21534, obsolete
2049	1448	Hopper Brush Carrier Shaft Ratchet Wheel Pin for 66057
2049	1448	Oscillating Shaft Crank Pin
2049	1448	Shuttle Driver Pin for 58-11, 58-12 and 58-15 Machines
2049	1407	Shuttle Driver and Feed Lifting Cam Pin for 58-1 to 58-5 and 58-9 Machines, obsolete

NO.	PLATE	NAME
2049	1448	Thread Cutting Blade Lever Pin for 58-11 and 58-15 Machines.
2049	1448	Thread Cutting Blade Lever Shaft Arm Pin for 58-11 and 58-15 Machines.
2062	1412	Presser Bar Lifter, obsolete.
2102	1448	Tension Disc for 43756.
2103	1448	" Spring for 43756.
2106	1413	Bobbin Winder Tension Thread Guide for 27308.
2117	1413	Starting Crank Pin for 21572, obsolete.
2269	1451	Button Carrier Pin for 66060, 66063 and 66107.
2269	1451	Button Carrier Supporting Arm Pin for 66072.
2270	1427	Presser Bar Lifting Lever (intermediate) Trip Stud Spring for 21636, obsolete.
2273	1451	Hopper Brush Carrier Shaft Ratchet Wheel Lever Pawl Spring Pin for 43640.
2273	1451	Hopper Gate Screw Stud Pin for 43509, 43512, 43572 and 43683.
2273	1427	Presser Bar Lifting Lever (intermediate) Trip Stud Spring Stop Pin for 21636, obsolete.
2455	1413	Bobbin Winder Tension Disc for 27308 and 41636.
2523	1446	Shuttle Bobbin Case Position Finger Rivet for 15142, 15277, 43725 and 66090.
2523	1446	Shuttle Race Cap Steady Pin for 21625 and 43545.
2532	1409	Shuttle Race Ring Position Pin for 21625, obsolete.
2533	1409	Shuttle Race Ring Spring for 21625, obsolete.
2770	7242	Starting Lever Rock Shaft Stop Dog with 356c, for 63981.
2921	1412	Tension Disc for 58-1 to 58-5 and 58-9 Machines, obsolete.
2923	1412	Tension Spring for 58-1 to 58-5 and 58-9 Machines, obsolete.
2973	1446	Shuttle Bobbin Case Latch Lever for 15141.
2974	1446	Shuttle Bobbin Case Latch Lever Fulcrum Pin for 15141.
2975	1446	Shuttle Bobbin Case Latch Spring for 15142, 15277, 43725 and 66090.
2996	1446	Shuttle Bobbin for 21561, 43654 and 66091.
3012	1451	Thread Take-up Cam Pin.

NO.	PLATE	NAME
3032	1402	Feed Cam with 446c, for 58-1 to 58-3 and 58-5 Machines, obsolete.
3033	1408	Feed Connecting Link for 58-1 to 58-3 and 58-5 Machines, obsolete.
*3045	1408	Needle Bar Connecting Link for 43726 and obsolete for 58-1 to 58-5 and 58-9 Machines.
3100	1401	Button Carrier Bar Connecting Rod Spring for 58-1 to 58-5 and 58-9 Machines, obsolete.
*4349	----	Crank Connecting Rod Cap for 12108.
4784	1443	Oscillating Rock Shaft Oil Pad for 21630.
4820	1446	Shuttle Bobbin Case Position Finger for 43725.
4822	1417	Wrench for 1521, 1528 and 1637 (Accessories).
5544	1407	Feed Regulator Crank with two 448c, for 58-1 to 58-3, 58-5 and 58-9 Machines, obsolete.
5670	----	Foot Lifter Chain, length 26 in. to 35 in., with 56864 and 56865, for 21590, obsolete.
6055	1415	Bolt Nut Washer (Accessories).
6458	1408	Feed Dog Carrier for 58-1 to 58-3 and 58-5 Machines, obsolete.
6472	1431	Shuttle Race Cap Latch for 21566, obsolete.
6533	1407	Feed Regulator Hinge Pin Collar with 460c, for 21534, obsolete.
6533	1407	Feed Regulator Thumb Screw Collar with 460c, for 21534, obsolete.
7071	1405	Button Guide Screw Washer for 21605 and 43513, obsolete.
7071	1405	Button Guide Spring Screw Washer for 21525, obsolete.
7071	1405	Button Guiding Spring Screw Washer for 21601.
7071	1405	Button Retaining Spring Screw Washer for 21525, obsolete.
7071	1405	Chute Support Bracket Screw Washer for 58-3 to 58-5 Machines, obsolete.
7124	7242	Starting Lever Rock Shaft for 63981.
7336	1448	Thread Take-up Spring Regulator for 43756 and obsolete for 58-1 to 58-5 and 58-9 Machines.
7585	1400	Foot Lifter and Starting Treadle Shaft for 14211 and 14358.

NO.	PLATE	NAME
8511	1448	Thread Take-up Spring for 43756 and obsolete for 58-1 to 58-5 and 58-9 Machines.....
8582	1451	Starting Lever Bracket Dowel Pin.....
9079	1418	Foot Lifter and Starting Treadle Connection Clamp with 354c, for 21582.....
9281R	1475	Brace Bolt Nut Washer for 25291, obsolete
9281R	1475	Leg Brace Bracket Bolt Nut Washer for 25291, obsolete.....
9281R	1475	Treadle Support Bolt Nut Washer for 25291, obsolete.....
9525	1428	Button Carrier Adjusting Lever Roller and Screw Stud Nut Washer for 1906, obsolete.....
9525	1447	Thread Cutting Blade Lever Spring Screw Washer for 58-11 and 58-15 Machines
9842R	7243	Leg Brace Bolt (upper) Nut Washer for 25291, obsolete.....
10141	1413	Bobbin Winder Tension Spring for 27308
10875	1417	Wrench for 1517, 1518, 1520, 1611, 1722 and 1723 (Accessories).....
11167	1441	Presser Bar Spring.....
11170	1439	“ “ “ Washer.....
11193	1428	Button Carrier Adjusting Lever Stop Pin for 43580, obsolete.....
11241	1417	Bobbin Winder Spool Washer (cloth) for 27308.....
11831	1452	Screw Driver, large (Accessories).....
12108	1437	Crank Connecting Rod with 4349 and two 158E.....
12149	1448	Tension Thread Guard.....
12388	1441	Oscillating Rock Shaft Hinge Pin for 21630
12620P	—	Leg Bolt Washer for 126758.....
12620P	—	“ Cross Member Bolt Washer for 126758
12620P	—	Rail Bolt Washer for 126758.....
12620P	—	Treadle Support Bolt Washer for 46712..
13224	1413	Trip Lever Spring for 58-1 to 58-5 and 58-9 Machines, obsolete.....
14003	1402	Arm Shaft Flanged Bushing, obsolete....
14017	1413	Button Feed Lever Roller and Screw Stud Nut Washer for 1906, obsolete.....
14017	1413	Needle Bar Frame Driving Lever Roller and Screw Stud Nut Washer for 1906, obsolete.....
14017	1451	Thread Cutting Blade Lever Roller and Screw Stud Nut Washer for 1906.....

NO.	PLATE	NAME
14017	1451	Thread Cutting Blade Lever Shaft Arm Roller and Screw Stud Nut Washer for 1906.....
14026	1406	Button Carrier Bar Connection Pin for 21508, 43555 and 43587, obsolete.....
14026	1451	Hopper Brush Carrier Handle Pin for 43689.....
14068	1403	Stitch Forming Cam Driver for 58-4 and 58-5 Machines, obsolete.....
14069	1403	Stitch Forming Cam Driver Cam with two 448c, for 58-4 and 58-5 Machines, obsolete.....
14081	1418	Foot Lifter and Starting Treadle Connection (lower) for 21582.....
14089	1403	Stitch Forming Cam Driver Cam with two 448c, for 58-2 and 58-3 Machines, obsolete.....
14165	1408	Pulley (loose) Washer, obsolete.....
14169	1404	Stop Cam Collar for 21613 and 21627, obsolete.....
14172	1404	Stop Cam Spring Cover for 21613 and 21627, obsolete.....
14174	1445	Starting Lever Spring.....
14174	1404	Stop Cam Interlocking Lever Spring, obsolete.....
14204	1404	Stop Cam Interlocking Lever for 21572, obsolete.....
14206	1413	Starting Lever Trip Stud for 21572 and 21646, obsolete.....
14208	1408	Stop Cam Pin for 21576, obsolete.....
14209	1418	Foot Lifter and Starting Treadle for 14211 and 14358.....
14210	1418	Starting Treadle Stand for 14211, obsolete
14211	1418	Starting Treadle complete for 21590, Nos. 7585, 14209, 14210 and four wood screws 1¼ in. No. 12, obsolete, use 14358
14213	1401	Pulley (tight) with 14222, for 21613, obsolete.....
14222	1408	Pulley (loose) Washer Steady Pin for 14213 and 14238, obsolete.....
14224	—	Starting Lever Rock Shaft Chain, length 10¼ in., with 56864, for 63981.....
Nos. 14229 to 14231 for 14232		
14229	1418	Table Belt Guide Bracket with 448c....
14230	1418	“ “ “ Pulley.....
14231	1400	“ “ “ “ Shaft with 858c

NO.	PLATE	NAME
14232	1418	Table Belt Guide complete, Nos. 14229 to 14231 and four wood screws 1¼ in. No. 10 R. H. B.....
14236	1404	Pulley (loose) for 21628, obsolete.....
14238	1404	" (tight) with 14222, for 21627, obsolete.....
14250	1419	Stitch Forming Cam Driver for 58-4, 58-5 and 58-9 Machines, obsolete.....
14253	1426	Stitch Forming Cam Driver Sliding Block for 58-1 to 58-5 and 58-9 Machines, obsolete.....
14277	1426	Stop Cam Interlocking Rod Guide Washer (rawhide) for 21646, obsolete.....
14357	1418	Foot Lifter and Starting Treadle Stand for 14358.....
14358	1418	Foot Lifter and Starting Treadle complete, Nos. 7585, 14209, 14357 and two wood screws 1¼ in. No. 12.....
15027	1410	Shuttle Bobbin Case Position Finger for 15142 and 15277, obsolete.....
15072	1413	Bobbin Winder Bobbin Position Pin for 27538.....
15098	1427	Shuttle Tension Spring for 15142, obsolete
15140	1446	" Bobbin Case Latch for 15141....
15141	1446	Shuttle Bobbin Case Hinge for 15142, 15277, 43725 and 66090, Nos. 2973, 2974 and 15140.....
15142	1427	Shuttle Bobbin Case complete, Nos. 591F, 592E, 2523, 2975, 15027, 15098 and 15141, obsolete, use 15277.....
15277	1410	Shuttle Bobbin Case complete for 21561, Nos. 591F, 592E, 2523, 2975, 15027, 15141, 15278 and 62739, obsolete.....
15278	1410	Shuttle Tension Spring for 15277, obsolete
16128	7242	Starting Lever Rock Shaft Hanger with two wood screws 1 in. No. 10, for 63981
18413	1430	Shuttle Race Ring Spring for 43545.....
20037	1412	Tension Releaser for 58-1 to 58-5 and 58-9 Machines, obsolete.....
*21501	—	Arm and Cylinder with 21503, for 58-1 to 58-3 and 58-5 Machines, obsolete.....
21502	1424	Arm Shaft, used with 21613, obsolete....
*21503	—	" " Bushing (front) for 21501, 21701, 43550, 43676, 43749 and 66086..
21504	1406	Button Carrier 21591 with 171F and 21592, for 58-1 and 58-2 Machines, obsolete...

NO.	PLATE	NAME
21505	1401	Button Carrier Bar for 58-1 to 58-5 and 58-9 Machines, obsolete.....
21506	1405	Button Carrier Bar Collar with 457c, for 58-1 to 58-5 and 58-9 Machines, obsolete
21506	1405	Presser Bar Stop Collar with 457c, obsolete.....
21507	1402	Button Carrier Bar Connecting Rod for 21508 and 43555, obsolete.....
21508	—	Button Carrier Bar Connecting Rod 21507 with 14026 and 21510, for 58-1 to 58-5 Machines, obsolete.....
21509	1406	Button Carrier Bar Connecting Rod Adjusting Collar with 207K, for 58-1 to 58-5 Machines, obsolete.....
21509	1406	Button Carrier Bar Connecting Rod Spring Collar with 207K, for 58-1 to 58-5 Machines, obsolete.....
21510	1406	Button Carrier Bar Connection for 21508, obsolete.....
21511	1406	Button Carrier Bar Connection Joint with 157D, for 58-1 to 58-5 Machines, obsolete.....
21512	1406	Button Carrier Holder with 209E, for 58-1 to 58-5 Machines, obsolete.....
21513	1402	Button Feed Lever for 58-1 to 58-5 and 58-9 Machines, obsolete.....
Nos. 21514 TO 21516 FOR 21548 AND 43510, OBSOLETE		
21514	1405	Button Guide.....
21515	1405	" " Block.....
21516	1405	" " " Dowel Pin.....
21517	1413	" " Spring for 21525, obsolete
21518	1405	" Receiving Guide (left) for 21548 and 43510, obsolete.....
21519	1405	Button Receiving Guide (right) for 21548 and 43510, obsolete.....
21520	1413	Button Retaining Spring for 21525, obsolete.....
21521	1401	Chute Cover with two 21522, for 21525, obsolete.....
21522	1413	Chute Cover Adjusting Stud for 21521 and 21600.....
21523	1401	Chute Frame for 21525 and 21601, obsolete
21524	1405	" Support Bracket for 58-1 to 58-5 Machines, obsolete.....
21525	—	Chute complete for 21548 and 43510, Nos. 190B, 219F, 21517, 21520, 21521, 21523 and two each 207F and 7071, obsolete..

NO.	PLATE	NAME
21526	1411	Feed Dog for 58-1 and 58-2 Machines, obsolete
21527	1400	Feed Forked Connection for 58-1 to 58-3 and 58-5 Machines, obsolete
21528	1407	Feed Regulating Fork with 448c, for 58-1 to 58-3, 58-5 and 58-9 Machines, obsolete
21529	1407	Feed Regulating Fork Sliding Block for 21533, obsolete
21530	1407	Feed Regulator with 190b and 1920, for 21534, obsolete
21531	1407	Feed Regulator Crank Shaft for 58-1 to 58-3, 58-5 and 58-9 Machines, obsolete
21532	1407	Feed Regulator Hinge Pin for 21534, obsolete
21533	1407	Feed Regulator Slide with 21529, for 21534, obsolete
21534	---	Feed Regulator complete for 58-1 to 58-3 and 58-5 Machines, Nos. 913b, 2049, 21530, 21532, 21533 and two 6533, obsolete
21535	1400	Feed Rock Shaft for 58-1 to 58-3 and 58-5 Machines, obsolete
21536	1408	Feed Rock Shaft Crank with 190b, for 58-1 to 58-3 and 58-5 Machines, obsolete
21537	1416	Hopper Base for 21548, obsolete
21538	---	" Brush for 21548, 21605, 43510, 43513, 43574 and 43689
21539	1438	Hopper Brush Carrier for 21548, 21605, 43510, 43513, 43574 and 43689
21540	1412	Hopper Brush Carrier Pawl for 21548, 21605, 43510, 43513 and 43574, obsolete
21541	1412	Hopper Brush Carrier Pawl Spring for 21548, 21605, 43510, 43513 and 43574, obsolete
21542	1438	Hopper Brush Carrier Shaft for 21548, 21605, 43510, 43513, 43574 and 43689
21543	1405	Hopper Brush Carrier Shaft Collar with 450c, for 21548, 21605, 43510, 43513 and 43574, obsolete
21544	1402	Hopper Brush Carrier Shaft Worm Wheel with two 448c, for 21548, 21605, 43510, 43513 and 43574, obsolete
21545	1402	Hopper Brush Carrier Worm with 445c and 888c, for 58-1 to 58-5 and 58-9 Machines, obsolete
21546	1402	Hopper Gate for 21548 and 21605, obsolete

NO.	PLATE	NAME
21547	1416	Hopper Rim for 21548 and 43510, obsolete
21548	---	Hopper complete for 58-1 and 58-2 Machines, Nos. 103b, 141f, 286b, 912b, 946b, 21514, 21515, 21518, 21519, 21525, 21537, 21539 to 21544, 21546, 21547, two each 171f, 21516, six 21538 and eight 217a, obsolete, use 43510
21549	1441	Needle Bar with 857c
21550	1402	" " Frame for 58-1 to 58-5 and 58-9 Machines, obsolete
21551	1402	Needle Bar Frame Driving Lever for 58-1 to 58-5 and 58-9 Machines, obsolete
21552	1402	Needle Bar Frame Pitman for 58-1 to 58-5 Machines, obsolete
21553	1443	Needle Bar Frame Thread Eyelet
21554	1443	" " Thread Eyelet
*21555	1441	Oscillating Rock Shaft for 21630
21556	1441	" Shaft
21557	1448	" " Crank with 460c and 1921
21559	1406	Presser Bar Lifting Bracket with 446c, for 58-1 to 58-5 and 58-9 Machines, obsolete
21560	1406	Presser Foot complete for 58-1 and 58-2 Machines, Nos. 197f, 21593 and 21594, obsolete, use 43516
21561	1410	Shuttle, 1 $\frac{1}{2}$ in. diam., for 58-1 to 58-5 and 58-9 Machines, Nos. 2996, 15277 and 21562, obsolete
21562	1446	Shuttle Body for 21561, 43654 and 66091
21563	1410	" Driver for 58-1 to 58-5 and 58-9 Machines, obsolete
21564	1431	Shuttle Race, obsolete, use 21625
21565	---	" " Cap for 21566, obsolete
21566	1431	Shuttle Race Cap complete, Nos. 6472, 21565 and two 240b, obsolete
21567	---	Starting Crank, obsolete, use 21614
21568	1404	" Lever with 422c, 443c, 743c and 1518c, for 21572, obsolete
21569	1408	Starting Lever Belt Shifter for 21572, obsolete
21570	1404	Starting Lever Bracket, obsolete
21571	1404	" " Hinge Pin for 21572, obsolete
21572	---	Starting Lever complete, Nos. 2117, 14204, 14206, 21568, 21569, 21571, 21614 and two 159e, obsolete
21573	1403	Stitch Forming Cam, 2 $\frac{3}{4}$ in. diam. (27 teeth) with 457c and 21584, for 58-1 Machine, obsolete

NO.	PLATE	NAME
21574	1403	Stitch Forming Cam Driver for 58-1 Machine, obsolete.....
21575	1403	Stitch Forming Cam Driver Cam with 448c and 765c, for 58-1 Machine, obsolete.....
21576	1404	Stop Cam with 14208, for 21613 and 21627, obsolete.....
21577	1413	Thread Eyelet (side of arm) for 58-1 to 58-5 and 58-9 Machines, obsolete.....
21578	1441	Thread Take-up Cam 43764 with 446c.....
*21579	1447	" " Lever with 1819, for 43673.....
21580	1411	Throat Plate for 21621, obsolete.....
21581	1418	Foot Lifter and Starting Treadle Connection (upper) for 21582.....
21582	1418	Foot Lifter and Starting Treadle Connection complete, Nos. 14081, 21581 and two 9079.....
21583	1400	Trip Lever for 58-1 to 58-5 and 58-9 Machines, obsolete.....
21584	1413	Stitch Forming Cam Trip Stud for 21573, 21588, 21610, 21620 and 43516, obsolete.....
21585	1400	Foot Lifter Lifting Lever with 141c and 1528a, for 21590, obsolete.....
21586	1400	Foot Lifter Lifting Lever Spring for 21590, obsolete.....
21586	1400	Presser Bar Lifting Lever Spring for 58-1 to 58-5 and 58-9 Machines, obsolete.....
21587	1424	Foot Lifter Pitman, length 12 in., for 21590, obsolete.....
21588	1403	Stitch Forming Cam, 2 $\frac{3}{4}$ in. diam. (21 teeth) with 457c and 21584, for 58-2 and 58-3 Machines, obsolete.....
21589	1403	Stitch Forming Cam Driver for 58-2 Machine, obsolete.....
21590	—	Foot Lifter complete, Nos. 65c, 191c, 5670, 14211 and 21585 to 21587, obsolete.....
21591	—	Button Carrier for 21504, obsolete.....
21592	1406	" Gauge for 21504, obsolete.....
21593	—	Presser Foot Body for 21560, obsolete, use 43514.....
21594	1406	Button Shank Adjusting Piece for 21560, 21632 and 43516, obsolete.....
21595	1406	Button Carrier for 58-3 to 58-5 Machines, obsolete.....
21596	1405	Button Guide for 21605 and 43513, obsolete.....

NO.	PLATE	NAME
21597	1436	Button Guide Adjusting Block for 21605, 43513, 43574 and 43689.....
21598	1413	Button Guiding Spring for 21601, obsolete.....
21599	1405	" Switch Stud for 21602 and 43512, obsolete.....
21600	1401	Chute Cover with two 21522, for 21601, obsolete.....
21601	—	Chute complete for 21605 and 43513, Nos. 219e, 7071, 21523, 21598, 21600 and two 207e, obsolete.....
21602	1416	Hopper Base with two each 460c and 21599, for 21605, obsolete.....
21603	1440	Hopper Brush Lifter for 21605, 43513, 43574 and 43689.....
21604	1416	Hopper Rim for 21605 and 43513, obsolete.....
21605	—	Hopper complete for 58-3 to 58-5 Machines, Nos. 103d, 433e, 286d, 946d, 7071, 21539 to 21544, 21546, 21596, 21597, 21601, 21602, 21604, two each 171e, 21603, four 217j and six 21538, obsolete, use 43513.....
21606	1412	Tension Releasing Lever for 58-1 to 58-5 and 58-9 Machines, obsolete.....
21608	1411	Button Stop Plate for 21609, for 58-4 Machine, obsolete.....
21609	1411	Needle Plate with 21608 and two 240d, for 58-4 Machine, obsolete.....
21610	1403	Stitch Forming Cam, 2 $\frac{3}{4}$ in. diam. (17 teeth) with 457c and 21584, for 58-4 Machine, obsolete.....
21611	1411	Thread Cutter for 21609, obsolete.....
21612	1401	Pulley (loose) obsolete.....
21613	—	" (tight) 14213 with 437c, 871e, 895c, 14169, 14172, 21576, 21615 to 21617 and three 398e, for 21502, obsolete.....
21614	1404	Starting Crank for 21572, obsolete.....
		Nos. 21615 to 21617 for 21613, 21627, 21640 and 43651
21615	1445	Stop Cam Spring (long).....
21616	1445	" " " (short).....
21617	1448	" " " Stop Block.....
21618	1411	Throat Plate for 21526.....
21619	1401	Presser Bar for 58-1 to 58-5 Machines, obsolete.....
21620	1403	Stitch Forming Cam, 2 $\frac{3}{4}$ in. diam. (17 teeth) with 457c and 21584, for 58-5 Machine, obsolete.....

NO.	PLATE	NAME
21621	1411	Feed Dog for 58-3 and 58-5 Machines, obsolete
Nos. 21622 TO 21624 FOR 21625, OBSOLETE		
21622	—	Shuttle Race Body
21623	1409	" " Cap
21624	1409	" " Ring
21625	1409	Shuttle Race (flexible) complete for 58-1 to 58-5 Machines, Nos. 648d, 662d, 2523, 2533, 21622 to 21624 and two 2532, obsolete
21626	1416	Arm Shaft for 21628, obsolete
21627	—	Pulley (tight) 14238 with 871E, 14169, 14172, 21576, 21615 to 21617, two 895c and three 398E, for 21628, obsolete
21628	—	Pulleys complete, Nos. 14236 and 21627, obsolete
21629	1408	Needle Bar Connecting Stud with 155c, for 58-1 to 58-5 and 58-9 Machines, obsolete
21630	—	Oscillating Rock Shaft 21555 with 4784 and 12388
21631	—	Presser Foot Body for 21632, obsolete
21632	1421	Presser Foot complete, for small round buttons, for export, for 58-3 to 58-5 Machines, Nos. 197F, 21594 and 21631, obsolete
21633	1416	Arm Shaft for 58-1 to 58-5 and 58-9 Machines, obsolete
21634	1419	Arm Shaft Flanged Bushing (back)
21635	1420	Presser Bar Lifting Lever with 149c, 1528j, 1810, 21658 and two 2017, for 58-1 to 58-5 and 58-9 Machines, obsolete, use 43728
21636	1420	Presser Bar Lifting Lever (intermediate) with 2270, 2273 and 21637, obsolete, use 21709
21637	1421	Presser Bar Lifting Lever (intermediate) Trip Stud for 21636, obsolete
21638	1419	Pulley (loose) for 21641 and 43652, obsolete, use 66085
21639	1419	Pulley (tight) for 21640, obsolete
21640	—	Pulley (tight) complete for 21641, Nos. 871E, 21615 to 21617, 21639, 21647, 21653 and two 997E, obsolete
21641	—	Pulleys complete for 58-1 to 58-5 and 58-9 Machines, Nos. 21640 and 66085, obsolete

NO.	PLATE	NAME
21642	1416	Starting Lever for 21646, obsolete
21643	1447	" " Belt Shifter for 21646 and 43705
21644	1416	Starting Lever Bracket for 58-1 to 58-5 and 58-9 Machines, obsolete
21645	1448	Starting Lever Cushion (rawhide) for 21646 and 43705
21646	—	Starting Lever complete for 58-1 to 58-5 and 58-9 Machines, Nos. 717c, 913c, 1520e, 1638E, 14206, 21642, 21643, 21645, 21649, 21651, 43583, two each 159F, 399F and three 14277, obsolete
21647	1445	Stop Cam with 21652, for 21640 and 43651
21648	1419	" " Interlocking Rod, obsolete, use 43583
21649	1448	Stop Cam Interlocking Rod Guide with 1070c, for 21646 and 43705
21650	1421	Stop Cam Interlocking Rod Guide Washer (rawhide) obsolete, use 14277
21651	1445	Stop Cam Interlocking Rod Spring for 21646 and 43705
21652	1451	Stop Cam Pin for 21647
21653	1445	" " Spring Cover for 21640 and 43651
21654	1452	Wrench for 1508 and 1638 (Accessories)
Nos. 21655 TO 21657 FOR 58-1 TO 58-3 AND 58-5 MACHINES, OBSOLETE		
21655	1421	Feed Regulating Fork with two 448c
21656	1421	" Regulator Crank Shaft
21657	1421	" " " " Bushing
21658	1421	Presser Bar Lifting Lever Adjusting Screw Bracket for 21635 and 43701, obsolete
21659	1419	Stitch Forming Cam Driver for 58-1 Machine, obsolete
21660	1419	Stitch Forming Cam Driver for 58-2 and 58-3 Machines, obsolete
21700	1443	Presser Bar Lifting Lever (intermediate) Hinge Stud
*21701	—	Arm and Cylinder with 21503, for 58-4 Machine, obsolete
21702	1428	Needle Plate for 58-4 Machine, obsolete
21706	1428	Thread Cutter for 58-4 Machine, obsolete
21707	1419	Stitch Forming Cam Driver Cam with 448c and 765c, for 58-4, 58-5 and 58-9 Machines, obsolete

NO.	PLATE	NAME
21708	1419	Stitch Forming Cam Driver Cam with 448c and 765c, for 58-2 and 58-3 Machines, obsolete
21709	1420	Presser Bar Lifting Lever (intermediate) with 1419c, 1521e, 1611e and 21710, for 58-1 to 58-5 and 58-9 Machines, obsolete
21710	1426	Presser Bar Lifting Lever (intermediate) Trip Stud Spring for 21709, obsolete
21724	1443	Presser Bar Lifting Lever (intermediate) Trip Stud Spring for 43702
21730	1434	Starting Lever Bracket for 58-11, 58-12 and 58-15 Machines
23373	1434	Belt Cover for 58-9, 58-11, 58-12 and 58-15 Machines
23668	1451	Needle Bar Frame Cam Pin for 58-11, 58-12 and 58-15 Machines
23668	1451	Pulley (tight) Pin
23668	1451	Starting Lever Bell Crank Cam Pin for 58-11, 58-12 and 58-15 Machines
24872	1468	Button Carrier Lever Connection Latch Spring for 66070
25291	—	Stand (iron work) complete, for $\frac{1}{2}$ H. P. Electric Transmitter, Nos. 46673, 46676, 46677, 46683, two each 2018R, 9842R, 46674, 46675, 51083R, 51088R, four each 50606R, 51009R, 67425 and eight 9281R, obsolete
25297	—	Stand (steel work) complete, for Singer Individual and 1600 Series Motors, Nos. 46711 and two each 46707, 46712 and 126758
26026	1417	Screw Driver, medium (Accessories)
26485	1417	" " small (Accessories)
27260	1471	Bobbin Winder Frame Hinge Pin for 126010
27302	1417	Bobbin Winder Frame for 27647
27303	1413	" " " Spring for 27647
27306	1417	" " Spool Pin for 27308
27307	1417	" " Stand for 27308
27308	1417	Bobbin Winder Spool Stand complete for 27544, Nos. 418E, 1562J, 2106, 10141, 11241, 27306, 27307 and two each 2455 and wood screws 1 in. No. 10
27312	1417	Bobbin Winder Stop Latch for 27647
27538	1475	" " Spindle 27849 with 15072, 27850 and 41828, for 27647

NO.	PLATE	NAME
27540	1417	Bobbin Winder Base for 27647
27541	1417	" " Pulley for 27647
27544	—	Bobbin Winder (swinging automatic, right hand) complete, Nos. 27308 and 27647
27647	1417	Bobbin Winder for 27544, Nos. 35D, 1620I, 27302, 27303, 27312, 27538, 27540, 27541, 50356D and two wood screws 1 in. No. 7
27683	7242	Starting Lever Rock Shaft Arm with two 356c, for 63981
27739	7234	Thread Unwinder Thread Cone (wood) for large cones, for 225396
27795	1475	Button Carrier Lever Connection Adjusting Collar Set Screw Washer for 66070
*27849	1475	Bobbin Winder Spindle for 27538
*27850	1475	" " " Collar for 27538
32572	1448	Tension Releasing Disc for 43756
36472	1433	Thread Cutter for 58-9 Machine, obsolete
39303	1443	Presser Bar Lifting Lever (intermediate) Spring for 58-11, 58-12 and 58-15 Machines
41635	—	Bobbin Winder Tension Bracket with 175D, for 41636
41636	1471	Bobbin Winder Tension Bracket complete for 126011, Nos. 418E, 1562J, 41635, 43808 and two 2455
41828	1475	Bobbin Winder Spindle Collar Pin for 27538
43509	1416	Hopper Base with 2273 and 50024E, for 43510, obsolete
43510	—	Hopper complete for 58-1 and 58-2 Machines, Nos. 103D, 141E, 942D, 946D, 1538D, 21514, 21515, 21518, 21519, 21525, 21539 to 21541, 21547, 43509, 43511, two each 171E, 21516, six 21538 and eight 217J, obsolete
43511	1438	Hopper Gate for 43510, 43513, 43574 and 43689
43512	1424	Hopper Base with 2273, 50024E and two each 460c and 21599, for 43513, obsolete
43513	—	Hopper complete for 58-3 to 58-5 Machines, Nos. 103D, 133E, 946D, 1538D, 7071, 21539 to 21544, 21596, 21597, 21601, 21604, 43511, 43512, two each 171E, 21603, four 217J and six 21538, obsolete

NO.	PLATE	NAME
43514	---	Presser Foot Body with 233b and 43515, for 43516, obsolete
43515	1428	Presser Foot Button Guide for 43514, obsolete
43516	1428	Presser Foot complete for 58-1 to 58-5 Machines, Nos. 197f, 21594 and 43514, obsolete
43520	1425	Button Carrier Bar Stop with 1253c, for 58-9 Machine, obsolete
43521	1425	Button Carrier Holder with 209f, for 58-9 Machine, obsolete
43534	1429	Needle Bar Frame Pitman Connection (frame end) for 43536, obsolete
43535	1429	Needle Bar Frame Pitman Connection (lever end) for 43536, obsolete
43536	1429	Needle Bar Frame Pitman (adjustable) complete for 58-9 Machine, Nos. 43534, 43535 and two 191f, obsolete
Nos. 43542 to 43544 for 43545		
43542	---	Shuttle Race Body
43543	1430	" " Cap
43544	1430	" " Ring
43545	1430	Shuttle Race (flexible) complete for 58-9, 58-11, 58-12 and 58-15 Machines, Nos. 662b, 2523, 43542 to 43544 and two each 1289b and 18413
43546	1429	Switch Forming Cam, 2 $\frac{1}{2}$ in. diam. (17 teeth) with 465c and 21584, for 58-9 Machine, obsolete
43547	1427	Thread Cutter for 43575, obsolete
*43550	---	Arm and Cylinder with 21503, for 58-9 Machine, obsolete
43551	---	Button Carrier for 43552, obsolete, use 43579
43552	---	Button Carrier complete for 58-9 Machine, Nos. 90b, 228b, 43551, 43553 and 43554, obsolete, use 43580
43553	1427	Button Carrier Adjusting Lever for 43552, obsolete
43554	1427	Button Carrier Adjusting Lever Spring for 43552, obsolete
43555	1427	Button Carrier Bar Connecting Rod 21507 with 14026 and 43557, for 58-9 Machine, obsolete
43556	1425	Button Carrier Bar Connecting Rod Spring Collar with two 207k, for 58-9 Machine, obsolete

NO.	PLATE	NAME
43557	1425	Button Carrier Bar Connection for 43555 and 43587, obsolete
43558	1425	Button Carrier Bar Connection Joint with 157b, for 58-9 Machine, obsolete
43559	1427	Button Guide for 58-9 Machine, obsolete
43560	1425	" Retaining Spring, for Nos. 334 to 51 $\frac{1}{2}$ buttons, for 43574, obsolete
43561	---	Button Retaining Spring, for Nos. 434 to 51 $\frac{1}{2}$ buttons, for 58-9 Machine, obsolete, use 43560
43562	1425	Button Retaining Spring Screw Washer for 43574, obsolete
43563	1436	Button Switch Stud for 43683
43563	1426	" " " (lower) for 43572, obsolete
43564	1426	Button Switch Stud (upper) for 43572, obsolete
43565	1420	Chute Cover with 50079b, for 43574, obsolete
43566	1436	Chute Cover Spring for 43574 and 43622
43567	1420	" Frame with 89b, 793b, 43570 and 50079b, for 43574, obsolete
43568	1420	Chute Support Bracket for 58-9 Machine, obsolete
43569	1436	Chute Support Bracket Washer for 58-9, 58-11, 58-12 and 58-15 Machines
43570	1426	Chute Tip for 43567, obsolete
43571	---	Chute complete for 43574, Nos. 207f, 43560, 43562, 43565, 43567 and two each 1538b, 1711j and 43566, obsolete
43572	1424	Hopper Base with 460c, 1019c, 2273, 43563, 43564 and 50024f, for 43574, obsolete
43573	1434	Hopper Rim for 43574 and 43689
43574	---	Hopper complete for 58-9 Machine, Nos. 103b, 745b, 946b, 1538b, 21539 to 21544, 21597, 43511, 43574 to 43573, 43588, two each 171f, 21603, four 217j and six 21538, obsolete
43575	1427	Needle Plate with 43547 and two 1053b, for 58-9 Machine, obsolete
43576	1441	Presser Bar for 58-9, 58-11, 58-12 and 58-15 Machines
43577	1427	Presser Foot with 4302b and 43578, for 58-9 Machine, obsolete
43578	1427	Presser Foot Button Shank Guide for 43577, obsolete

NO.	PLATE	NAME
43579	1428	Button Carrier for 43580, obsolete.....
43580	1428	Button Carrier complete for 58-9 Machine, Nos. 90b, 228b, 11193, 43579, 43581 and 43582, obsolete.....
43581	1428	Button Carrier Adjusting Lever for 43580, obsolete.....
43582	1428	Button Carrier Adjusting Lever Spring for 43580, obsolete.....
43583	1420	Stop Cam Interlocking Rod for 21646 and 43705.....
43584	1434	Belt Cover Bracket with 871E and 43585, for 58-9, 58-11, 58-12 and 58-15 Ma- chines.....
43585	1451	Belt Cover Bracket Stud for 43584.....
43586	—	Button Carrier Bar Connecting Rod for 43587, obsolete.....
43587	1425	Button Carrier Bar Connecting Rod 43586 with 14026 and 43557, for 58-9 Machine, obsolete.....
43588	1436	Button Guide with 43589 and two 1053b, for 43574 and 43689.....
43589	1436	Button Guide Extension for 43588.....
43592	1435	" Carrier for 43678, 66059, 66062 and 66106.....
43594	1435	Button Carrier Adjusting Arm with 1483b, for 66071.....
43595	1437	Button Carrier Lever for 58-11, 58-12 and 58-15 Machines.....
43596	1438	Button Carrier Lever Connection (latch end) with 43602 and 43604, for 43605, obsolete.....
43597	1438	Button Carrier Lever Connection (lever end) with 43604, for 43605 and 66070..
43598	1435	Button Carrier Lever Connection Adjust- ing Collar with 454c, for 43605 and 66070, obsolete, use 66084.....
43599	1435	Button Carrier Lever Connection Adjust- ing Collar Set Screw Lock Stud for 43605 and 66070, obsolete.....
43600	1435	Button Carrier Lever Connection Latch with 43602, for 43605, obsolete, use 66069.....
43601	1435	Button Carrier Lever Connection Latch Spring for 43605, obsolete.....
43602	1435	Button Carrier Lever Connection Latch Spring Hook for 43596 and 43600, obsolete.....

NO.	PLATE	NAME
43603	1438	Button Carrier Lever Connection Spring for 43605 and 66070.....
43604	1435	Button Carrier Lever Connection Spring Stud for 43596, 43597 and 66068.....
43605	—	Button Carrier Lever Connection complete for 58-11 and 58-12 Machines, Nos. 184b, 43596 to 43601 and 43603, obso- lete, use 66070.....
43607	1435	Button Carrier Plate Hinge Pin for 43678, 66059, 66062 and 66106.....
43608	1435	Button Carrier Plate Spring for 43678, 66059 and 66062.....
43609	1441	Button Carrier Rod for 66060, 66063 and 66107.....
43610	1435	Button Carrier Rod Adjusting Collar with 457c, for 58-11, 58-12 and 58-15 Ma- chines.....
43611	1435	Button Carrier Rod Adjusting Collar Set Screw Lock Stud for 58-11, 58-12 and 58-15 Machines.....
43612	1435	Button Carrier Rod Head with 457c, for 66060, 66063 and 66107.....
43613	1435	Button Carrier Supporting Arm for 58-11 and 58-12 Machines, obsolete, use 66064
43614	1436	Button Carrier Supporting Arm Shaft for 66072.....
43615	1436	Button Carrier Supporting Arm Shaft Cap Screw Washer for 58-11, 58-12 and 58-15 Machines.....
43616	1435	Button Carrier Supporting Stud with 175b, for 66071.....
43617	1435	Button Carrier Supporting Stud Cap Screw Washer for 58-11, 58-12 and 58-15 Machines.....
43619	—	Chute Cover with 50079b, for 58-11 Ma- chine, obsolete, use 43731.....
43620	1437	Chute Frame with 50079b, for 43622.....
43621	1436	" Support Bracket for 58-11, 58-12 and 58-15 Machines.....
43622	—	Chute complete for 43689, Nos. 43620, 43731 and two each 1538b, 1711r and 43566.....
43624	1440	Hopper Brush Carrier Eccentric with two 456c, for 58-11, 58-12 and 58-15 Ma- chines.....

NO.	PLATE	NAME
43625	1440	Hopper Brush Carrier Forked Connection with 457c, for 58-11, 58-12 and 58-15 Machines
43628	1440	Hopper Brush Carrier Handle for 43689
43629	1438	" " " Shaft Ratchet Wheel for 66057
43630	1438	Hopper Brush Carrier Shaft Ratchet Wheel Brake Lever for 43765
43631	1440	Hopper Brush Carrier Shaft Ratchet Wheel Brake Lever Block for 43765 Nos. 43632 to 43634 for 43689
43632	1440	Hopper Brush Carrier Shaft Ratchet Wheel Brake Lever Block Pin
43633	1440	Hopper Brush Carrier Shaft Ratchet Wheel Brake Lever Block Spring
43634	1440	Hopper Brush Carrier Shaft Ratchet Wheel Brake Lever Spring
43635	1440	Hopper Brush Carrier Shaft Ratchet Wheel Brake Lever Spring Hook for 43683
43637	1438	Hopper Brush Carrier Shaft Ratchet Wheel Hub with two 454c, for 66057
43638	1439	Hopper Brush Carrier Shaft Ratchet Wheel Lever for 58-11, 58-12 and 58-15 Machines
43639	1439	Hopper Brush Carrier Shaft Ratchet Wheel Lever Guide Bracket for 43689
43640	1439	Hopper Brush Carrier Shaft Ratchet Wheel Lever Pawl with 2273, for 58-11, 58-12 and 58-15 Machines
43641	1439	Hopper Brush Carrier Shaft Ratchet Wheel Lever Pawl Spring for 58-11, 58-12 and 58-15 Machines
43642	1438	Hopper Washer for 43689
43644	1443	Needle Bar Connecting Stud with 187b, for 43726
43645	1442	Needle Bar Frame for 58-11, 58-12 and 58-15 Machines
43647	1441	Presser Bar Lifting Bracket Guide Bar for 58-11, 58-12 and 58-15 Machines
43650	1445	Pulley (tight) for 43651
43651	—	Pulley (tight) complete for 43652, Nos. 871e, 21615 to 21617, 21647, 21653, 43650 and two 997e
43652	—	Pulleys complete for 58-11, 58-12 and 58-15 Machines, Nos. 43651 and 66085

NO.	PLATE	NAME
43654	1446	Shuttle, $1\frac{1}{8}$ in. diam., for 58-11 and 58-12 Machines, Nos. 2996, 21562 and 43725
43658	1438	Starting Lever Extension for 43705
43661	1447	Thread Clamping Blade for 58-11 Machine, obsolete
43661	1447	Thread Clamping Blade (upper) for 58-15 Machine
43662	1447	Thread Cutting Blade for 58-11 Machine, obsolete
43662	1447	Thread Cutting Blade (upper) for 58-15 Machine
43663	1444	Thread Cutting Blade Cap for 43703, 43739 and 43743, obsolete
43665	1447	Thread Cutting Blade Holder for 58-11 Machine, obsolete
43669	1469	Button Carrier Bar Connecting Rod Stop with 643E, 1518E and 43670, for 58-9 Machine, obsolete
43670	1469	Button Carrier Bar Connecting Rod Stop Stud for 43669, obsolete
43671	1469	Hopper Brush Carrier Worm with 445c and 888c, for 58-9 Machine, obsolete
43672	1469	Hopper Brush Carrier Worm Adjusting Collar with two 458c, for 58-9 Machine, obsolete
43673	—	Thread Take-up Lever 21579 with 76c
*43676	—	Arm and Cylinder with 21503, for 58-11 Machine, obsolete
43677	1434	Arm Shaft for 58-11, 58-12 and 58-15 Machines
43678	—	Button Carrier 43592, with 43607, 43608 and 43679, for 58-11 and 58-12 Machines, obsolete, use 66059
43679	1435	Button Carrier Plate for 43678, obsolete, use 66058
43680	1435	Button Retaining Spring for 58-11, 58-12 and 58-15 Machines
43681	1436	Button Switch Plate (back) for 43683
43682	1436	" " " (front) for 43683
43683	1431	Hopper Base with 460c, 2273, 43563, 43635, 43681, 43682, 50024e and five 1302b, for 43689
43684	1440	Hopper Brush Carrier Forked Connection Shaft for 58-11, 58-12 and 58-15 Machines

NO.	PLATE	NAME
43685	1440	Hopper Brush Carrier Forked Connection Shaft Bushing for 58-11, 58-12 and 58-15 Machines.....
Nos. 43686 TO 43688 FOR 58-11 MACHINE		
43686	—	Hopper Brush Carrier Shaft Ratchet Wheel Brake Lever Cushion (rawhide) for 43689, obsolete.....
43687	—	Hopper Brush Carrier Shaft Ratchet Wheel Brake Lever Cushion (leather) for 43688, obsolete.....
43688	—	Hopper Brush Carrier Shaft Ratchet Wheel Brake Lever Stop Bracket with 43687, obsolete, use 43727.....
43689	—	Hopper complete for 58-11, 58-12 and 58-15 Machines, Nos. 436c, 715d, 946d, 1517e, 1538d, 14026, 21539, 21542, 21597, 43511, 43573, 43588, 43622, 43628, 43632 to 43634, 43639, 43642, 43683, 43727, 66057, two each 171f, 21603, four each 190d, 217j and six 21538.....
*43690	1442	Needle Bar Frame Cam with 448c, for 58-11 Machine, obsolete.....
Nos. 43691 TO 43696 FOR 58-11, 58-12 AND 58-15 MACHINES		
43691	1442	Needle Bar Frame Cam Cover.....
43692	1441	“ “ “ “ Shaft.....
43693	1442	“ “ “ “ Worm with 448c and 50243c.....
43694	1442	Needle Bar Frame Cam Worm Wheel with 448c and 50243c.....
43695	1439	Needle Bar Frame Driving Arm with 200c and 51803.....
43696	1439	Needle Bar Frame Driving Arm Shaft... ..
*43697	1443	“ “ “ Pitman with two 44361 and four 175e, for 43763, obsolete.....
43698	1439	Needle Bar Frame Pitman Arm for 58-11, 58-12 and 58-15 Machines.....
43699	1444	Needle Plate for 58-11 Machine, obsolete
43700	1443	Presser Bar Lifting Bracket with 448c, for 58-11, 58-12 and 58-15 Machines.....
43701	—	Presser Bar Lifting Lever with 141b, 1528j, 1810, 21658 and two 2017, for 58-11 Machine, obsolete, use 43728.....

NO.	PLATE	NAME
43702	1441	Presser Bar Lifting Lever (intermediate) with 1433c, 1521e, 1611e and 21724, for 58-11, 58-12 and 58-15 Machines...
43703	1444	Presser Foot with 43663 and four 1329d, for 58-11 Machine, obsolete.....
43704	1434	Starting Lever with 641c and 51804, for 43705.....
43705	—	Starting Lever complete for 58-11, 58-12 and 58-15 Machines, Nos. 159f, 717c, 913c, 1520e, 1638e, 21643, 21649, 21651, 43583, 43658, 43704, two each 158e, 640f and three 21645.....
43706	1445	Starting Lever Bell Crank with 1921, for 58-11, 58-12 and 58-15 Machines.....
43707	1445	Starting Lever Bell Crank Cam with 448c, for 58-11, 58-12 and 58-15 Machines...
43708	1443	Tension Releasing Arm for 58-11, 58-12 and 58-15 Machines.....
43709	1448	Tension Releasing Pin for 43756.....
43710	1444	Thread Cutter for 43699 and 43736.....
43711	1447	“ Cutting Blade Connection (holder end) for 43713, obsolete.....
43712	1447	Thread Cutting Blade Connection (lever end) for 43713 and 66056, obsolete.....
43713	1447	Thread Cutting Blade Connection complete, Nos. 43711, 43712 and two 207f, obsolete.....
43714	1442	Thread Cutting Blade Lever with 330d and 1906, for 58-11 and 58-15 Machines
43715	1447	Thread Cutting Blade Lever Shaft for 58-11 and 58-15 Machines.....
43716	1447	Thread Cutting Blade Lever Shaft Arm with 207f, for 58-11 and 58-15 Machines
43717	1447	Thread Cutting Blade Lever Spring for 43736 and 66088.....
43718	—	No. cancelled, order 9525.
43719	1447	Thread Eyelet (side of arm) for 58-11, 58-12 and 58-15 Machines.....
43725	1446	Shuttle Bobbin Case complete for 43654, Nos. 591f, 592e, 2523, 2975, 4820, 15141, 66105 and 224842.....
43726	—	Needle Bar Connecting Link 3015 with 43644, for 58-11, 58-12 and 58-15 Machines.....
43727	1440	Hopper Brush Carrier Shaft Ratchet Wheel Brake Lever Stop Bracket for 43689.....

NO.	PLATE	NAME
43728	1437	Presser Bar Lifting Lever with 119c, 1528r and 1810.
43731	1437	Chute Cover with 50079b, for 43622.
43736	1444	Needle Plate for 58-11 and 58-12 Machines
43737	—	Presser Foot Body for 43739, obsolete.
43738	1444	“ “ Extension for 43739, obsolete
43739	1444	Presser Foot complete for 58-11 Machine, Nos. 665b, 1477b, 43663, 43737, 43738, 43740 and four 1329b, obsolete, use 43743.
43740	1444	Thread Clamping Blade Spring for 43739, 43743, 66050 and 66075.
43740	1444	Thread Clamping Blade (upper) Spring for 66075, for 58-15 Machine.
43741	—	Presser Foot Body for 43743, obsolete.
43742	—	“ “ Extension for 43743, obsolete
43743	—	Presser Foot complete for 58-11 Machine, Nos. 665b, 1477b, 43663, 43740 to 43742 and four 1329b, obsolete, use 66050.
43745	1448	Shuttle Driver for 58-11, 58-12 and 58-15 Machines.
43746	—	Thread Clamping Blade for 58-11 Machine, obsolete.
43747	—	Thread Cutting Blade for 58-11 Machine, obsolete.
43748	—	Thread Cutting Blade Holder for 58-11 Machine, obsolete.
*43749	—	Arm and Cylinder with 21503, for 58-12 Machine.
*43750	—	Needle Bar Frame Cam with 448c, for 58-12 Machine.
		Nos. 43751 to 43753 for 43754
43751	—	Presser Foot Body.
43752	1468	“ “ Button Shank Guide.
43753	1468	“ “ Extension.
43754	1468	Presser Foot complete for 58-12 Machine, Nos. 1477b, 43751 to 43753 and 50362b
*43755	—	Tension Screw Stud 1338c with 1560c, for 43756, obsolete, use 44141.
43756	—	Tension complete for 58-11, 58-12 and 58-15 Machines, Nos. 2103, 7336, 8511, 32572, 43709, 44141 and two 2102.
43763	—	Needle Bar Frame Pitman 43697 with 679c and 777c, for 58-11 and 58-12 Machines, obsolete.
*43764	—	Thread Take-up Cam for 21578.

NO.	PLATE	NAME
*43765	—	Hopper Brush Carrier Shaft Ratchet Wheel Brake Lever 43630 with 43631, for 66057
43804	1440	Hopper Brush Carrier Forked Connection Shaft Collar with 1253c, for 58-11, 58-12 and 58-15 Machines.
43808	1471	Bobbin Winder Tension Spring for 41636
44141	—	Tension Screw Stud 50327c with 1560c, for 43756.
*44361	—	Needle Bar Frame Pitman Cap (back) for 43697, obsolete.
*44361	—	Needle Bar Frame Pitman Cap (front) for 43697, obsolete.
		Nos. 46673 to 46677 for 25291, OBSOLETE
46673	7241	Brace.
46674	7241	Leg.
46675	7241	“ Brace.
46676	7242	“ “ Bracket (left).
46677	7242	“ “ “ (right).
46683	7241	Treadle Support for 25291, obsolete.
46707	—	Leg Brace with wood screw 1 in. No. 16, for 25297.
46711	—	Treadle Support for 25297.
46712	—	“ “ Bolt 50297r with 12620p and 46713, for 25297.
46713	—	Treadle Support Bolt Packing for 46712.
49174	1471	Bobbin Winder Frame Oil Packing (braided cotton) for 426004.
50024e	1415	Hopper Gate Screw Stud for 43509, 43512, 43572 and 43683.
50079b	1449	Chute Cover Screw Stud for 43565, 43567, 43619, 43620 and 43731.
50174c	1435	Button Carrier Lever Connection Latch Trip Screw Stud for 58-11, 58-12 and 58-15 Machines.
50243c	1419	Needle Bar Frame Cam Worm Position Screw for 43693.
50243c	1419	Needle Bar Frame Cam Worm Wheel Position Screw for 43694.
50297r	—	Treadle Support Bolt with 1522r, for 46712.
50327c	—	Tension Screw Stud for 44141.
50356b	1471	Bobbin Winder Frame Hinge Screw for 27647.
50362b	1468	Presser Foot Button Shank Guide Screw for 43754.

NO.	PLATE	NAME
50411D	1474	Thread Cutting Blade Screw for 58-11 Machine, obsolete.....
50411D	1474	Thread Cutting Blade (lower) Screw for 58-15 Machine.....
50411D	1474	Thread Cutting Blade (upper) Screw for 58-15 Machine.....
50429C	1468	Thread Retainer Set Screw for 58-1 to 58-5 and 58-9 Machines, obsolete.....
50606R	7243	Leg Brace Bracket Bolt with 1600R, for 25291, obsolete.....
50606R	7243	Treadle Support Bolt with 1600R, for 25291, obsolete.....
50618D	1475	Button Carrier Lever Connection Hinge Screw for 58-11, 58-12 and 58-15 Machines.....
50618D	1475	Button Carrier Rod Hinge Screw for 58-11, 58-12 and 58-15 Machines.....
51009R	7243	Brace Bolt with 1510R, for 25291, obsolete
51057P	—	Leg Bolt with 1522R, for 126758.....
51057P	—	“ Cross Member Bolt with 1522R, for 126758.....
51057P	—	Rail Bolt with 1522R, for 126758.....
51072R	1475	Bolt with 51581E, to secure machine to table (Accessories).....
51083R	7243	Leg Brace Bolt (upper) with 51581R, for 25291, obsolete.....
51088R	7243	Leg Brace Bolt (lower) with 51581R, for 25291, obsolete.....
51581R	1414	Bolt Nut for 51072.....
51581R	1414	Leg Brace Bolt (lower) Nut for 51088, obsolete.....
51581R	1414	Leg Brace Bolt (upper) Nut for 51083, obsolete.....
51803	1439	Needle Bar Frame Driving Arm Roller and Stud for 43695.....
51804	1451	Starting Lever Roller and Stud for 43704
52454	1468	Thread Retainer for 58-1 to 58-5 and 58-9 Machines, obsolete.....
56864	1475	Foot Lifter Chain Hook (large) for 5670, obsolete.....
56864	1475	Starting Lever Rock Shaft Chain Hook for 14224.....
56865	1475	Foot Lifter Chain Hook (small) for 5670, obsolete.....
62739	—	Shuttle Bobbin Case for 15277, obsolete..
63981	—	Starting Lever Rock Shaft complete for 25291 and 25297, Nos. 2770, 7124, 14224 and two each 16128 and 26783..

NO.	PLATE	NAME
66048	—	Presser Foot Body for 66050 and 66075..
66049	1468	“ “ Extension for 66050, obsolete
66050	1468	Presser Foot complete for 58-11 Machine, Nos. 665D, 1477D, 43740, 66048, 66049, 66051 and four 1329D, obsolete.....
66051	1468	Thread Cutting Blade Cap for 66050, obsolete.....
66054	1468	Thread Cutting Blade Clamping Plate for 58-11 Machine, obsolete.....
66054	1468	Thread Cutting Blade (upper) Clamping Plate for 58-15 Machine.....
66055	1468	Thread Cutting Blade Connection and Holder for 66056, obsolete.....
66056	—	Thread Cutting Blade Connection and Holder complete for 58-11 Machine, Nos. 43712, 66055 and two 207E, obsolete
66057	—	Hopper Brush Carrier Shaft Ratchet Wheel 43629 with 2049, 43637, 43765 and two 171E, for 43689.....
66058	—	Button Carrier Plate for 66059, obsolete, use 66061.....
66059	—	Button Carrier 43592 with 43607, 43608 and 66058, for 66060, obsolete, use 66062
66060	—	Button Carrier 66059 with 2269, 43609 and 43612, for 58-11 and 58-12 Machines, obsolete, use 66063.....
66061	1468	Button Carrier Plate for 66062 and 66106
66062	—	“ “ 43592 with 43607, 43608 and 66061, for 66063.....
66063	—	Button Carrier 66062 with 2269, 43609 and 43612, for 58-12 and 58-15 Machines
66064	1469	Button Carrier Supporting Arm for 66071
66065	—	Needle Bar Frame Cam with two 448C, for 58-11 Machine, obsolete.....
66066	—	Needle Bar Frame Cam with two 448C, for 58-12 Machine.....
66068	1468	Button Carrier Lever Connection (latch end) with 43604, for 66070.....
66069	1468	Button Carrier Lever Connection Latch for 66070.....
66070	—	Button Carrier Lever Connection complete for 58-11, 58-12 and 58-15 Machines, Nos. 184D, 24872, 27795, 43597, 43603, 66068, 66069 and 66084.....
66071	—	Button Carrier Supporting Arm 66064 with 43594 and 43616, for 66072.....

NO.	PLATE	NAME
66072	—	Button Carrier Supporting Arm Shaft 43614 with 2269 and 66071, for 58-11, 58-12 and 58-15 Machines.....
66073	1474	Presser Foot Bottom Plate for 66075.....
66074	1474	“ “ Extension for 66075.....
66075	1474	Presser Foot complete for 58-11 and 58-15 Machines, Nos. 665b, 1477b, 4374b, 66048, 66073, 66074, 66076 and four 1329b.....
66076	1474	Thread Cutting Blade Cap for 66075, for 58-11 Machine, obsolete.....
66076	1474	Thread Cutting Blade (upper) Cap for 66075, for 58-15 Machine.....
66077	1472	Needle Bar Frame Pitman complete for 58-11, 58-12 and 58-15 Machines, Nos. 1722E, 1723E and 66081 to 66083.....
*66078	—	Needle Bar Frame Pitman Cap for 66081 and 66082.....
*66079	—	Needle Bar Frame Pitman End Bearing (arm end) for 66081.....
*66080	—	Needle Bar Frame Pitman End Bearing (frame end) for 66082.....
Nos. 66081 to 66083 for 66077		
66081	1472	Needle Bar Frame Pitman Head (arm end) Nos. 679c, 66078, 66079 and two 171E
66082	1472	Needle Bar Frame Pitman Head (frame end) Nos. 777c, 66078, 66080 and two 171E.....
66083	1472	Needle Bar Frame Pitman Rod.....
66084	1475	Button Carrier Lever Connection Adjust- ing Collar with 454c, for 66070.....
66085	1473	Pulley (loose) for 21641 and 43652.....
*66086	—	Arm and Cylinder with 21503, for 58-15 Machine.....
66087	1472	Needle Plate for 66088.....
66088	—	Needle Plate complete for 58-15 Machine, Nos. 66087, 66097, 66098 and four 1472F
66089	1472	Shuttle Bobbin Case Position Finger for 66090.....
66090	1472	Shuttle Bobbin Case complete for 66091, Nos. 591E, 592E, 2523, 2975, 15141, 66089, 66105 and two 224842.....
66091	1472	Shuttle, 1 $\frac{1}{4}$ in. diam., for 58-15 Machine, Nos. 2996, 21562 and 66090.....
66092	1474	Thread Clamping Blade (lower) for 58-15 Machine.....

NO.	PLATE	NAME
66093	1474	Thread Cutting Blade (lower) for 58-15 Machine.....
66094	1474	Thread Cutting Blade (lower) Connection and Holder for 66096.....
66095	1474	Thread Cutting Blade (lower) Connection (lever end) for 66096.....
66096	—	Thread Cutting Blade (lower) Connection and Holder complete for 58-15 Machine, Nos. 66094, 66095 and two 197E.....
66097	1474	Thread Cutting Blade (lower) Guide for 66088.....
66098	1474	Thread Cutting Blade (lower) Guide Cap for 66088.....
66099	1474	Thread Cutting Blade (upper) Connection and Holder for 66101.....
66100	1474	Thread Cutting Blade (upper) Connection (lever end) for 66101.....
66101	—	Thread Cutting Blade (upper) Connection and Holder complete for 58-15 Machine, Nos. 66099, 66100 and two 197E.....
66102	1473	Needle Bar Frame Cam with 448c, for 58-15 Machine.....
66103	—	Needle Bar Frame Cam with two 448c, for 58-15 Machine.....
66104	1475	Button Carrier Plate Spring for 66106, obsolete.....
66105	—	Shuttle Bobbin Case for 43725 and 66090
66106	—	Button Carrier 43592 with 43607, 66061 and 66101, for 66107, obsolete.....
66107	—	Button Carrier 66106 with 2269, 43609 and 43612, for 58-11 Machine, obsolete
67425	7243	Leg Brace Bolt (lower) Nut Lock Washer for 25291, obsolete.....
67425	7243	Leg Brace Bolt (upper) Nut Lock Washer for 25291, obsolete.....
120346	1452	Oiler (copper plated) with 120347 (Access- ories).....
120347	1452	Oiler Spout, 9 in. long, for 120346.....
126001	1470	Bobbin Winder Base with 1313E and 126003, for 126010.....
126002	1470	Bobbin Winder Bracket with 158c, for 126011.....
126003	1471	Bobbin Winder Brake (leather) for 126001
Nos. 126001 to 126008 for 126010		
126004	1470	Bobbin Winder Frame with 49174 and 225438.....

NO.	PLATE	NAME
126005	1470	Bobbin Winder Pulley with 155c.....
126006	1471	“ “ Stop Latch.....
126007	1471	“ “ “ “ Thumb Lever.....
126008	1471	“ “ “ “ Trip Lever
126009	1470	“ “ Tension Bracket Rod for 126001.....
126010	---	Bobbin Winder for 126011, Nos. 152e, 27260, 126001, 126004 to 126008, 225381, 225455, 225456, 225460 and two 1430b
126011	---	Bobbin Winder (swinging automatic, left hand) complete, Nos. 41636, 126002, 126009, 126010 and two each 162e and wood screws 1 in. No. 10 R. H. B.....
126508	---	Leg for 126758.....
126509	---	“ Bolt Nut Socket Washer for 126758
126509	---	“ Cross Member Bolt Nut Socket Washer for 126758.....
126509	---	Rail Bolt Nut Socket Washer for 126758
126530	---	Leg Cross Member, 15½ in. long, for 126758.....
126532	---	Rail, 16 in. long, for 126758.....
126758	---	Leg with Rail complete for 25297, Nos. 126530, 126532, two 126508, three 12620p and four each 51057p and 126509
200383c	1471	Thread Unwinder Spool Rest Rod Set Screw for 202490.....
201018c	1471	Thread Unwinder Spool Rest Set Screw for 225395.....
201696j	1471	Thread Unwinder Thread Guide Lock Nut for 225396.....
202490	7233	Thread Unwinder Spool Stand with 200383c, for 225396.....
224842	1446	Shuttle Tension Spring for 43725 and 66090.....
225381	---	Bobbin Winder Spindle for 126010.....
225388	7233	Thread Unwinder Spool Rest Rod for 225396.....
Nos. 225390 TO 225392 FOR 225396		
225390	7234	Thread Unwinder Thread Cone Holder, for inverted cones.....
225391	7233	Thread Unwinder Thread Guide.....
225392	7233	“ “ “ “ Rod with 208e and 225393.....
225393	1471	Thread Unwinder Thread Guide Rod Washer for 225392.....

NO.	PLATE	NAME
225395	7233	Thread Unwinder Spool Rest with 201018c, for 225396.....
225396	7233	Thread Unwinder complete, for two spools, Nos. 201696j, 202490, 225388, 225392, 225395, two 225391 and three wood screws 7⁄8 in. No. 12.....
225438	---	Bobbin Winder Frame Oil Well Cap for 126004.....
225455	1471	Bobbin Winder Frame Spring for 126010
225456	1471	“ “ “ “ Plunger for 126010.....
225460	---	Bobbin Winder Stop Latch Thumb Lever Joint Stud for 126010.....

SINGER Needles should be used
in SINGER Machines.
These Needles and their Containers
are marked with the
Company's Trade Mark "SIMANCO."** 1

Needles in Containers marked
"FOR SINGER MACHINES"
are NOT **SINGER** made needles. 2

ILLUSTRATIONS OF PARTS

PLATE 1400—ONE-HALF SIZE

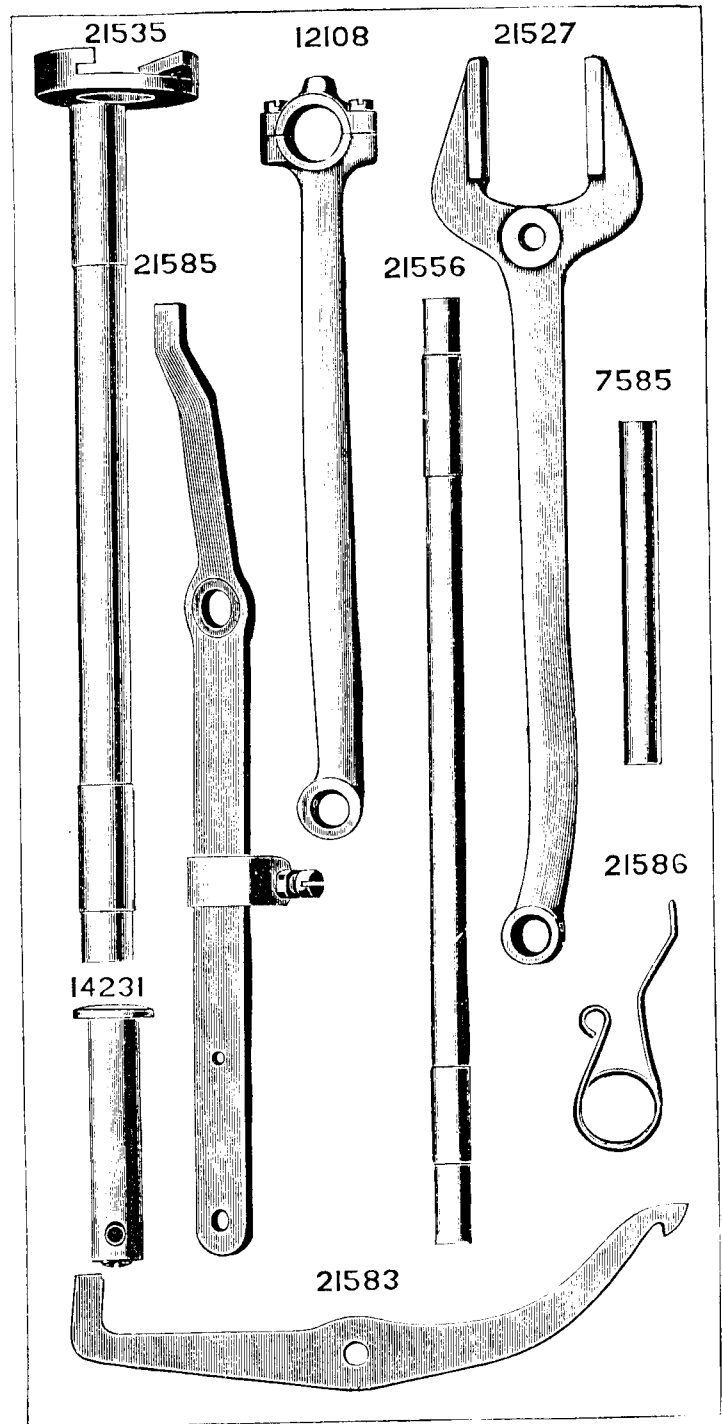


PLATE 1401—ONE-HALF SIZE

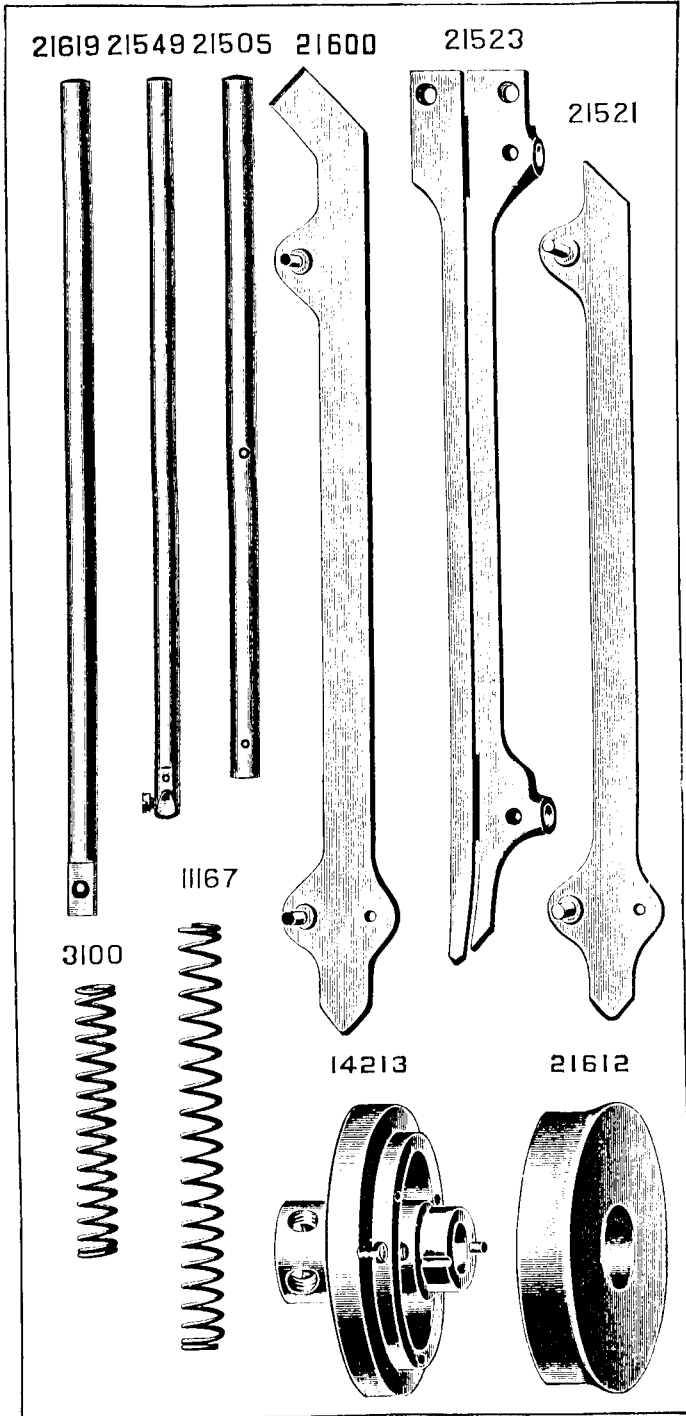


PLATE 1402—ONE-HALF SIZE

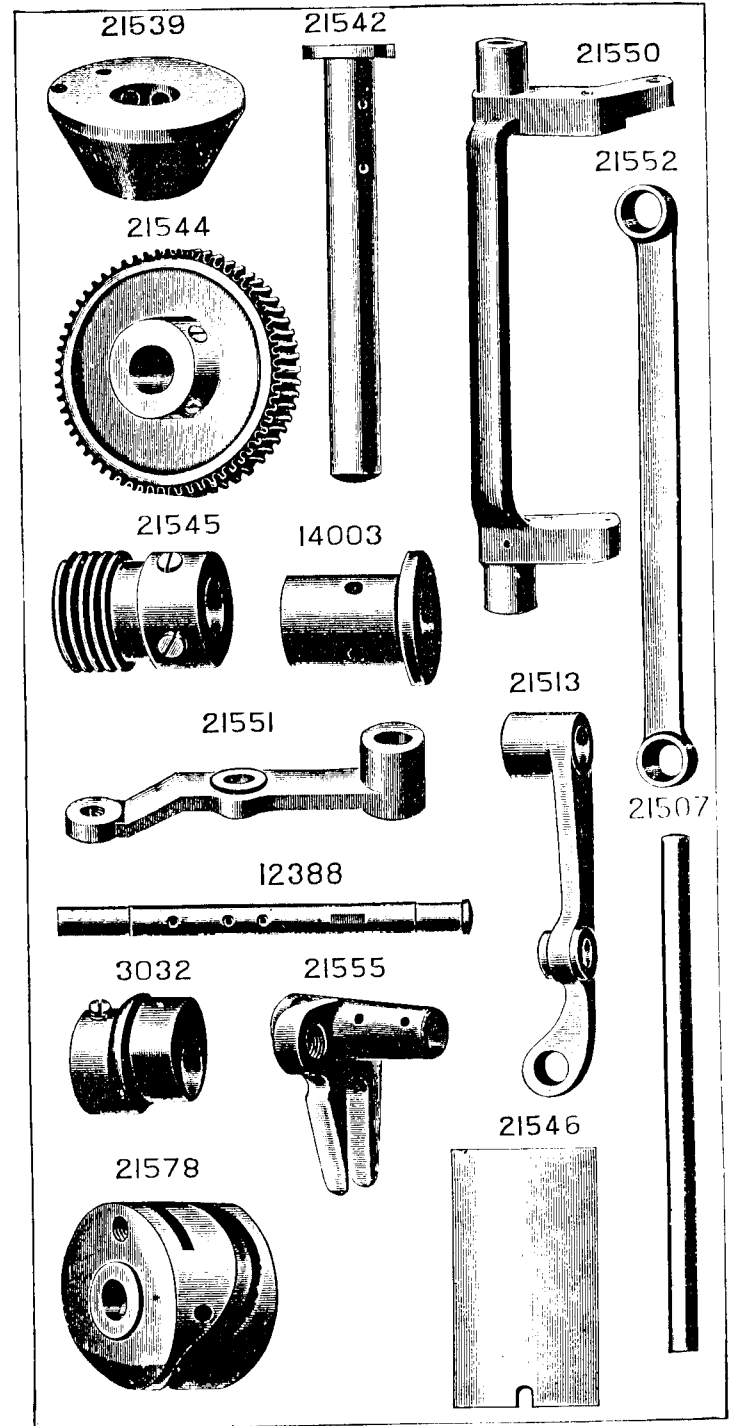


PLATE 1403—ONE-HALF SIZE

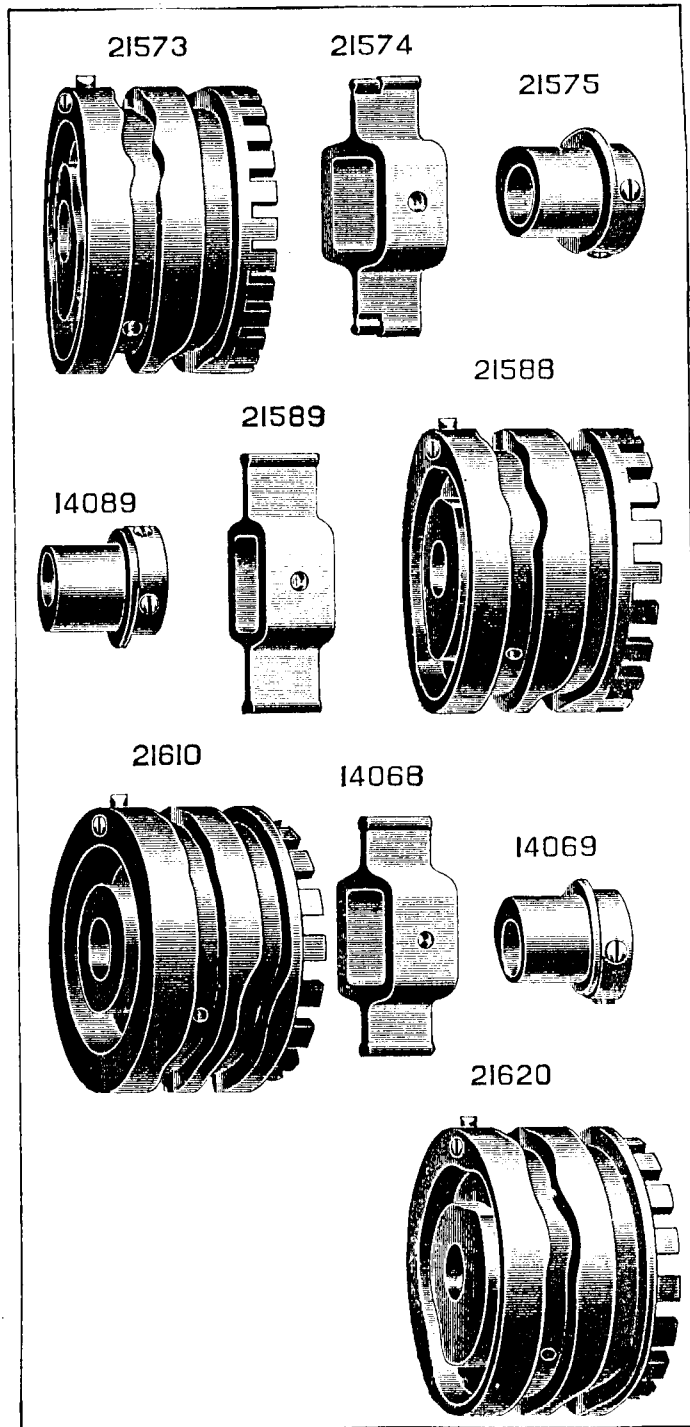


PLATE 1404—ONE-HALF SIZE

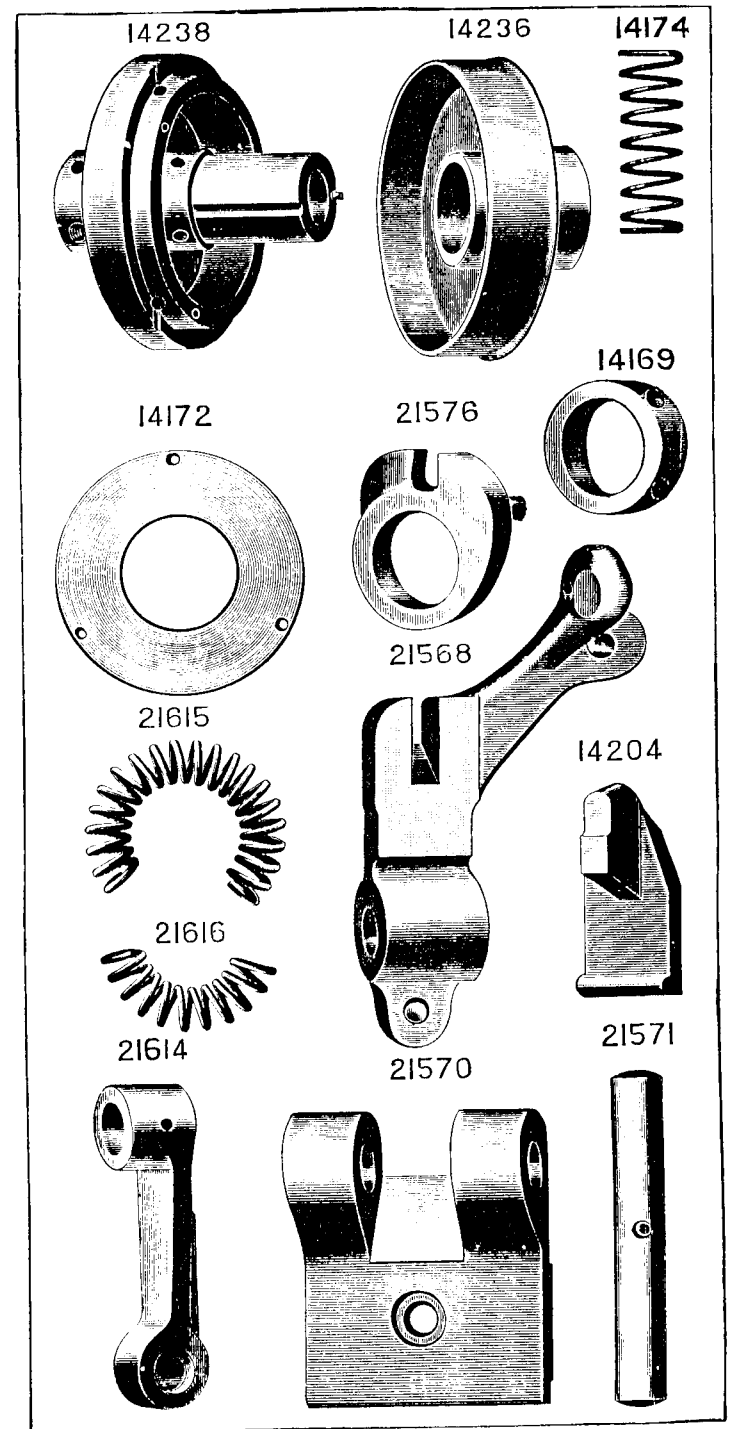


PLATE 1405—FULL SIZE

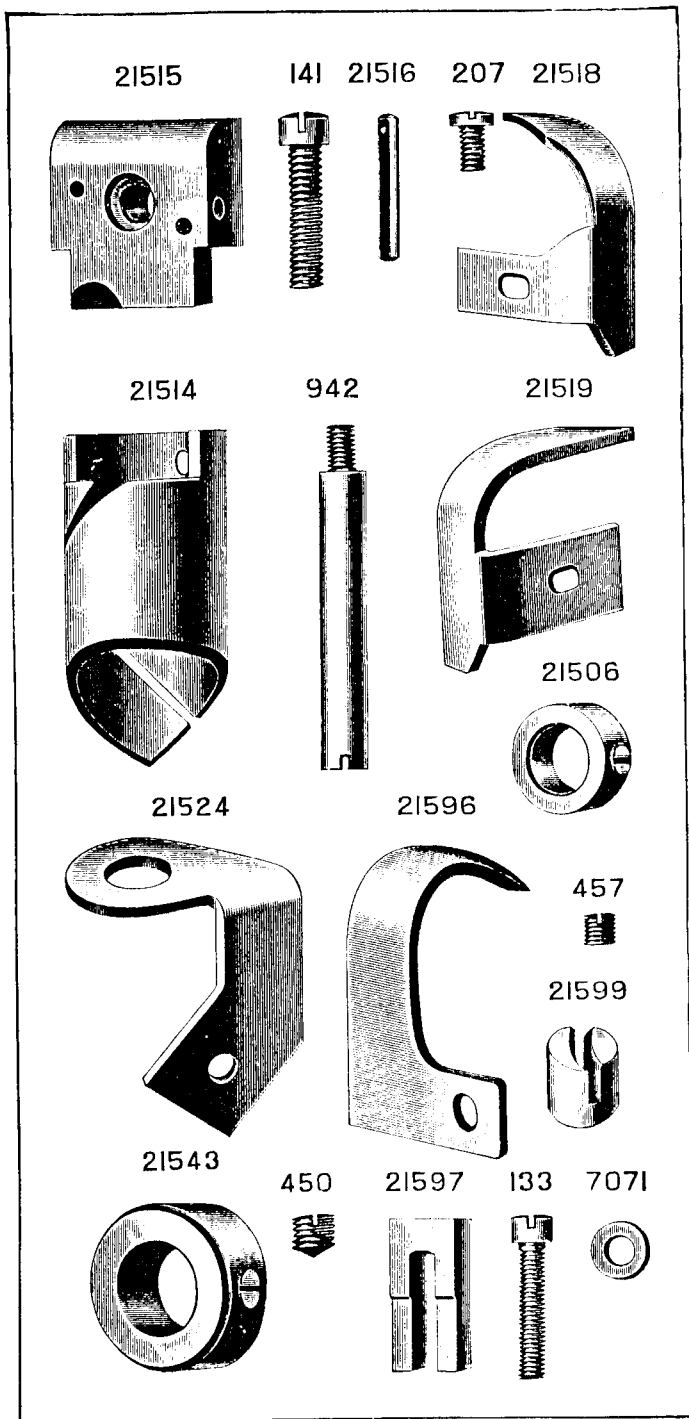


PLATE 1406—FULL SIZE

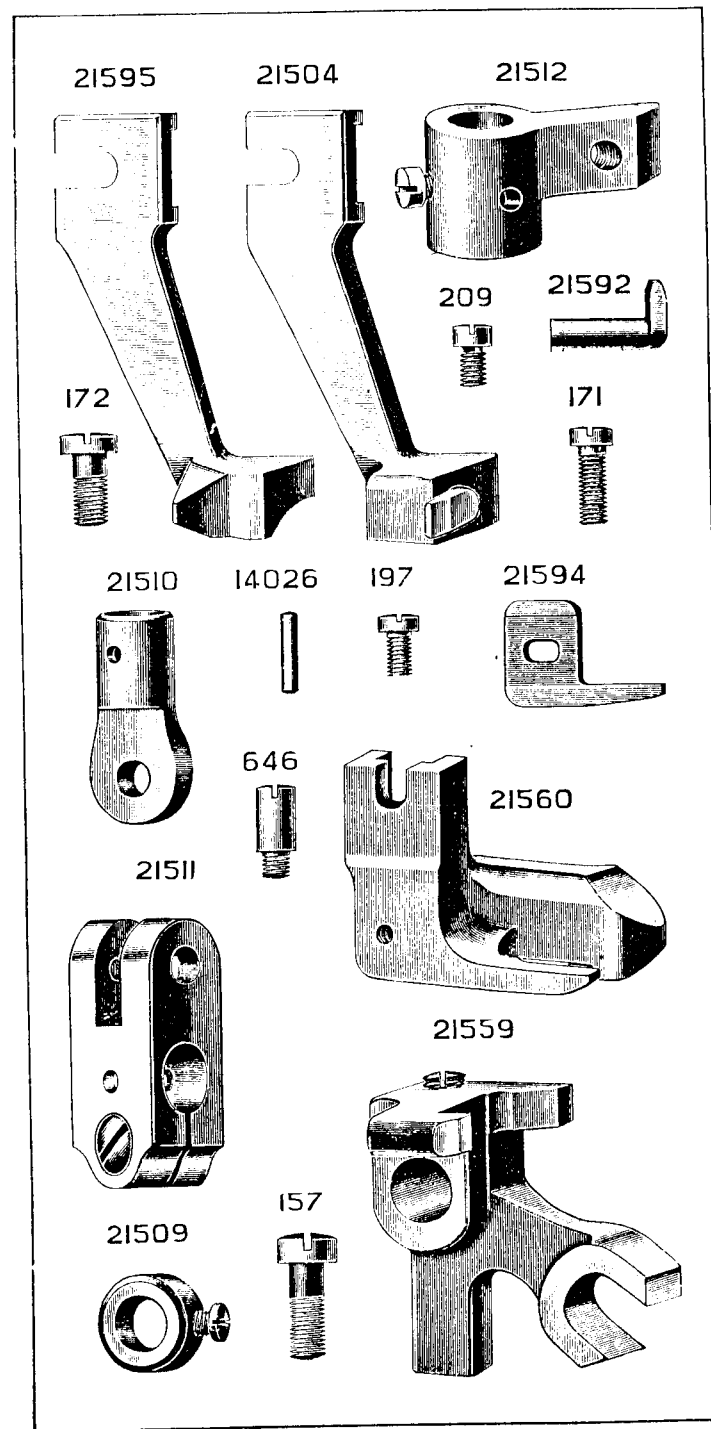


PLATE 1407—FULL SIZE

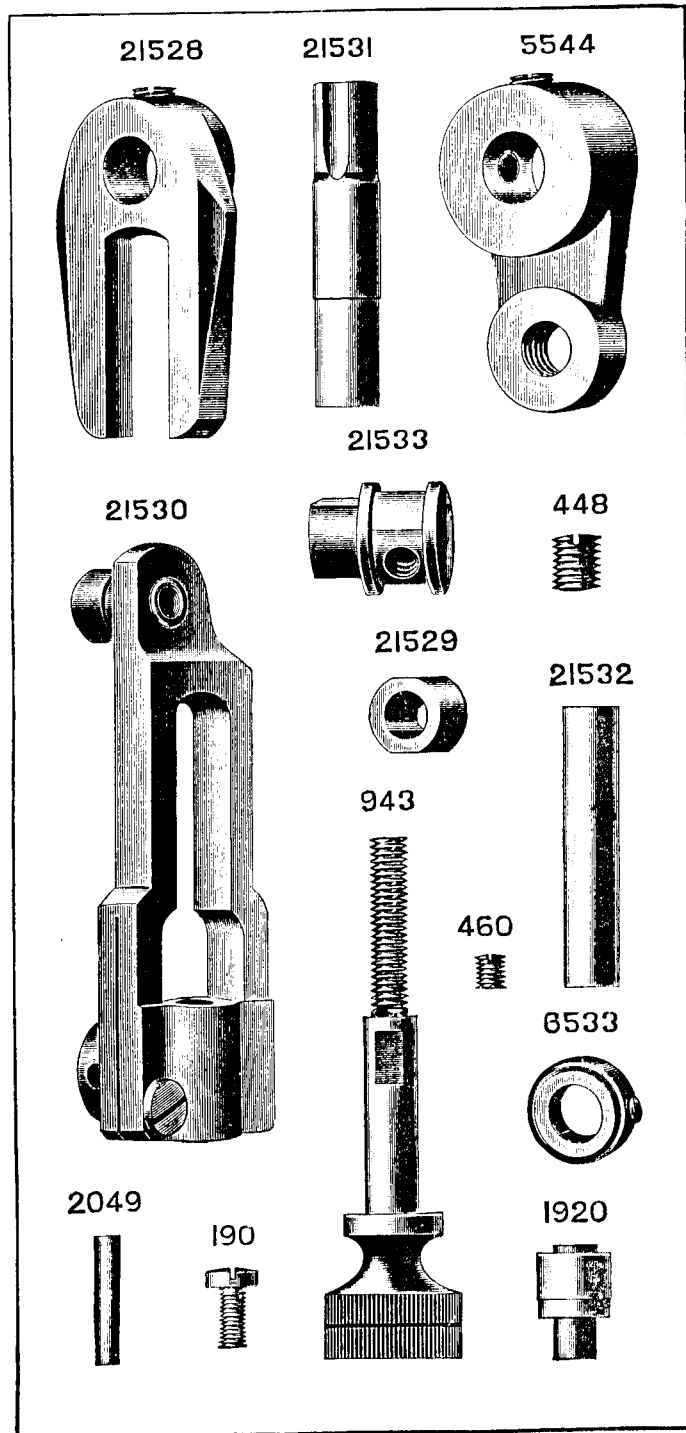


PLATE 1408—FULL SIZE

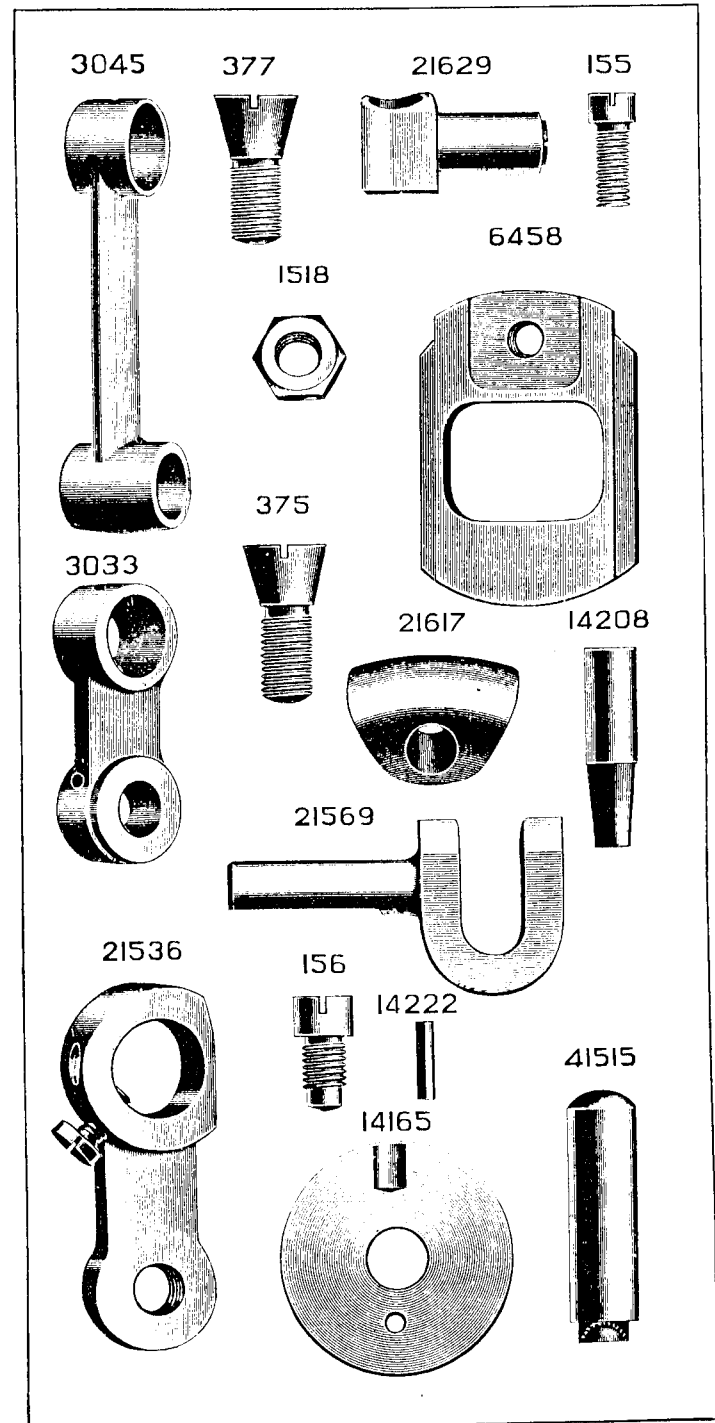


PLATE 1409 FULL SIZE

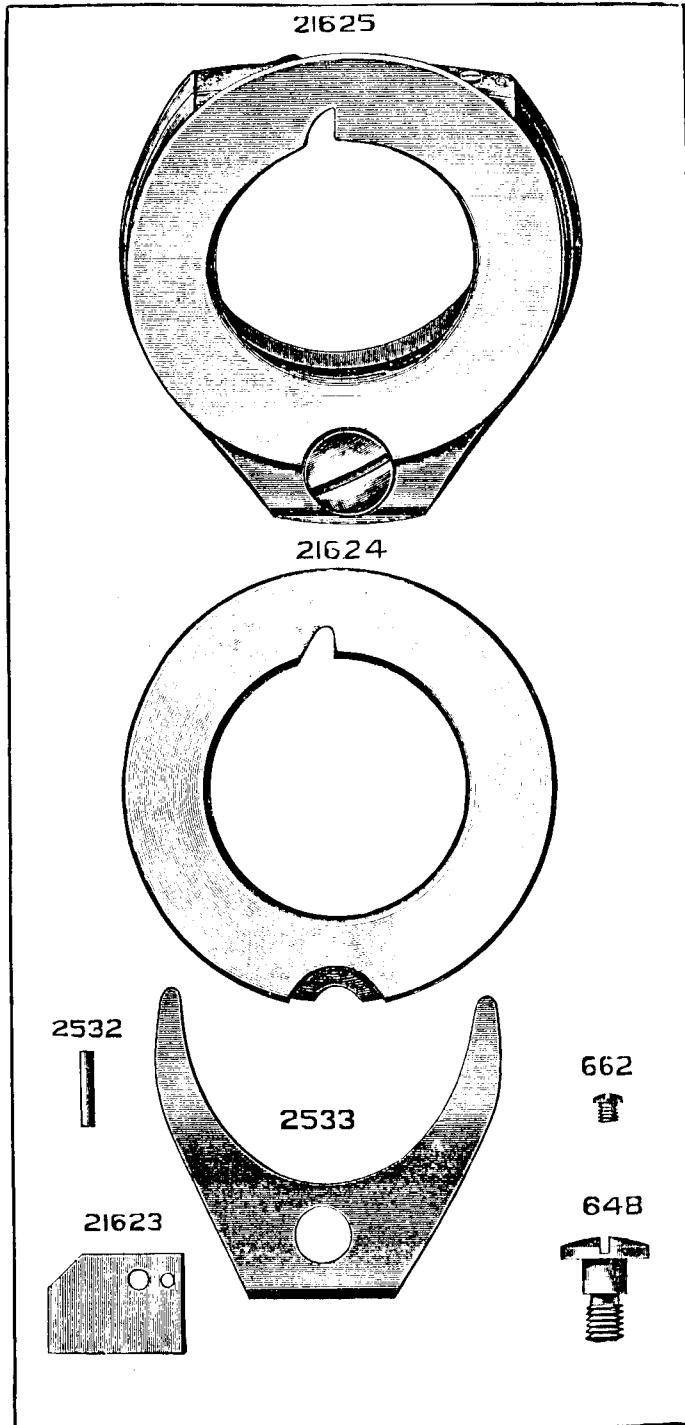


PLATE 1410-FULL SIZE

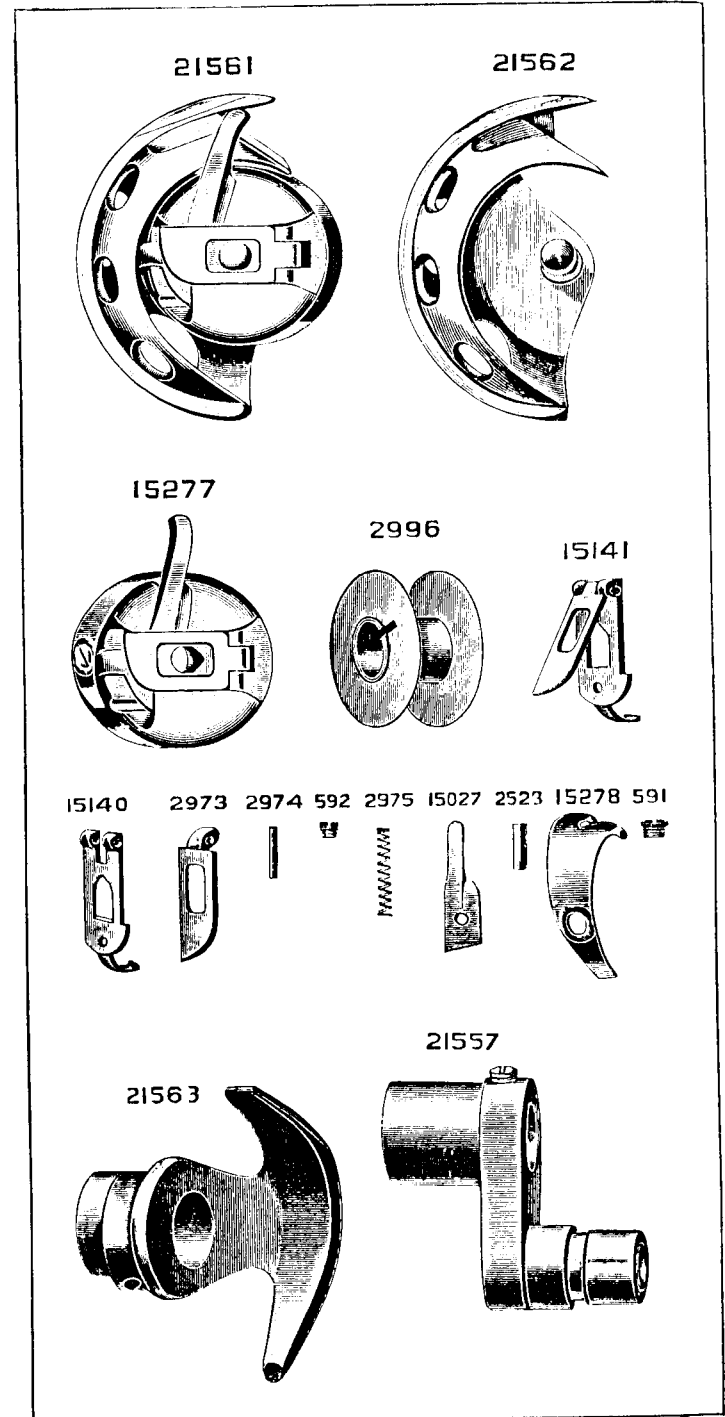


PLATE 1411--FULL SIZE

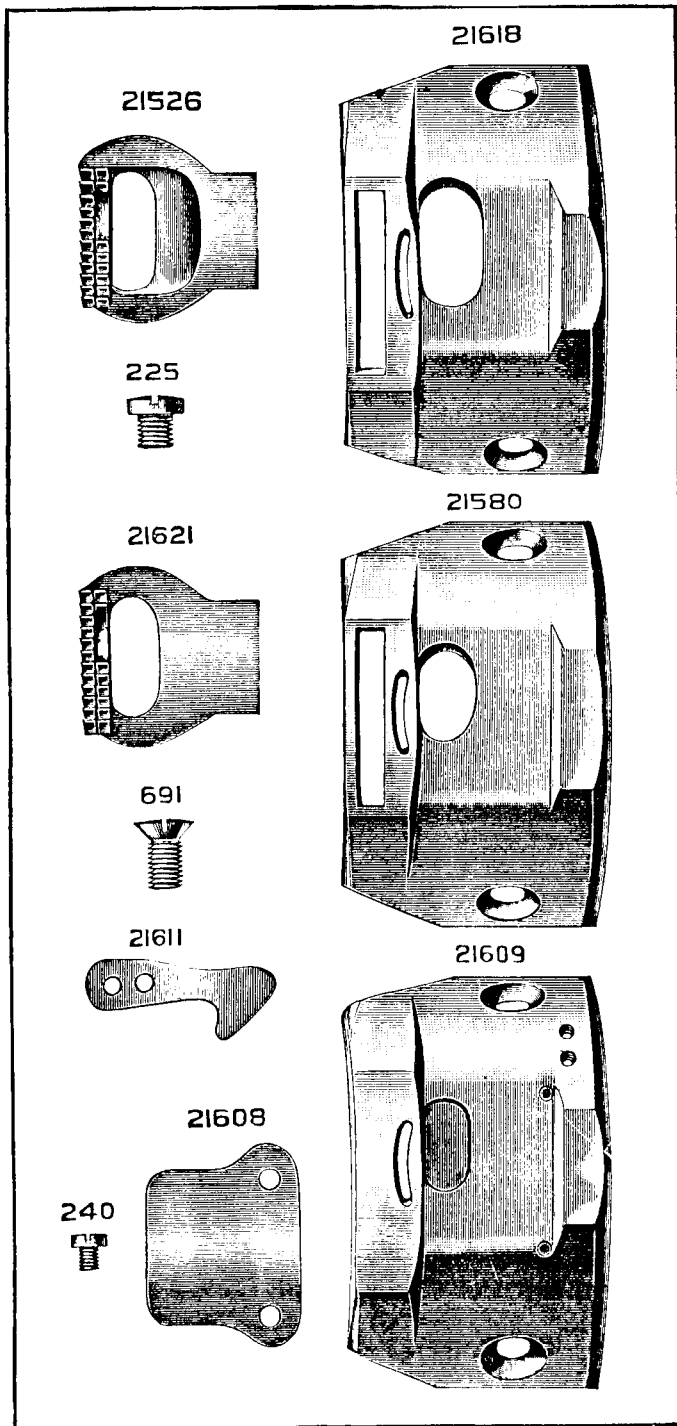


PLATE 1412--FULL SIZE

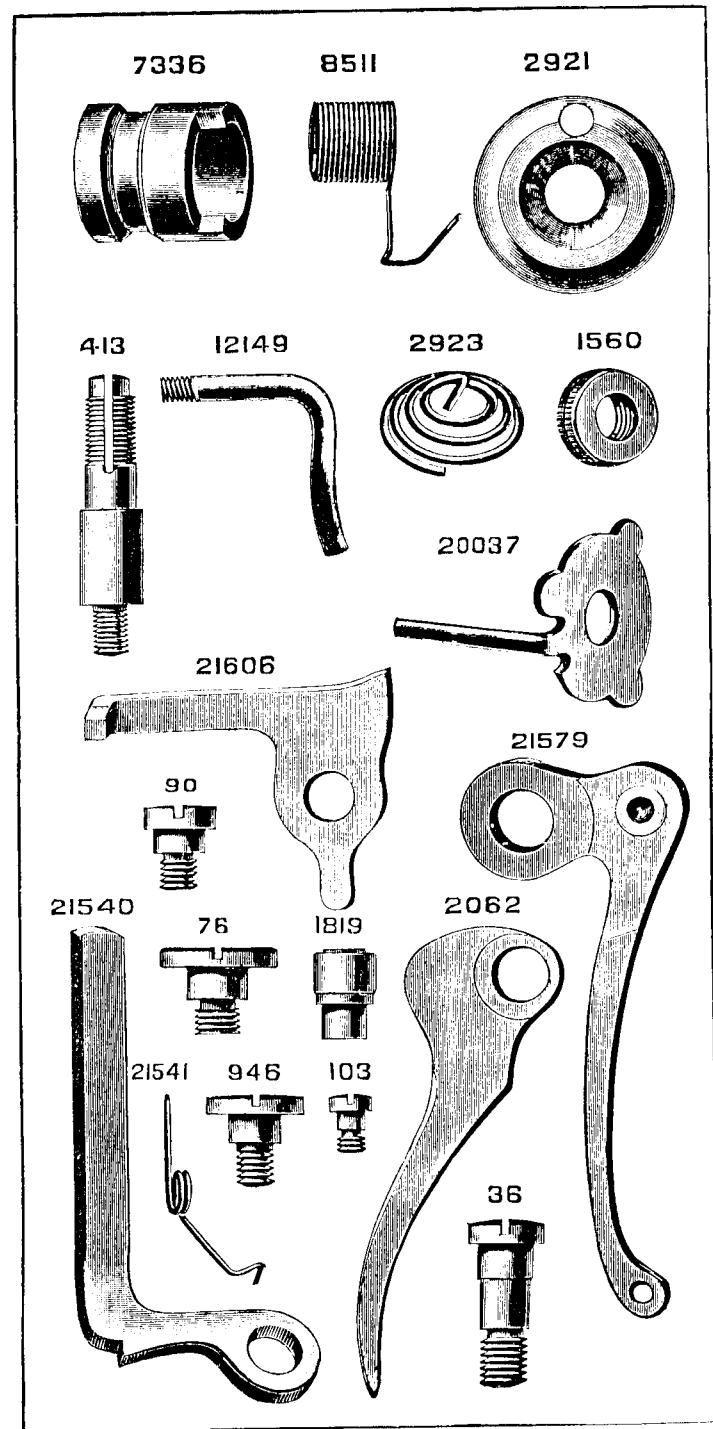


PLATE 1413—FULL SIZE

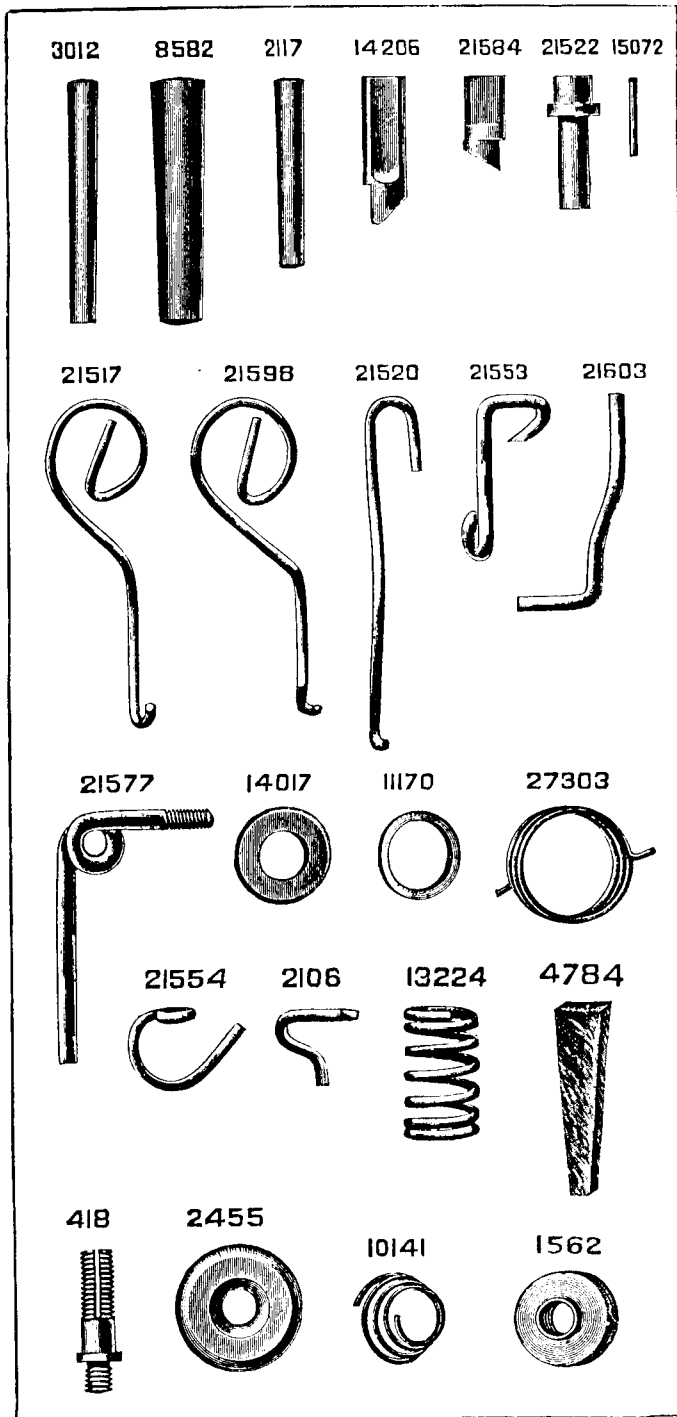


PLATE 1414—FULL SIZE

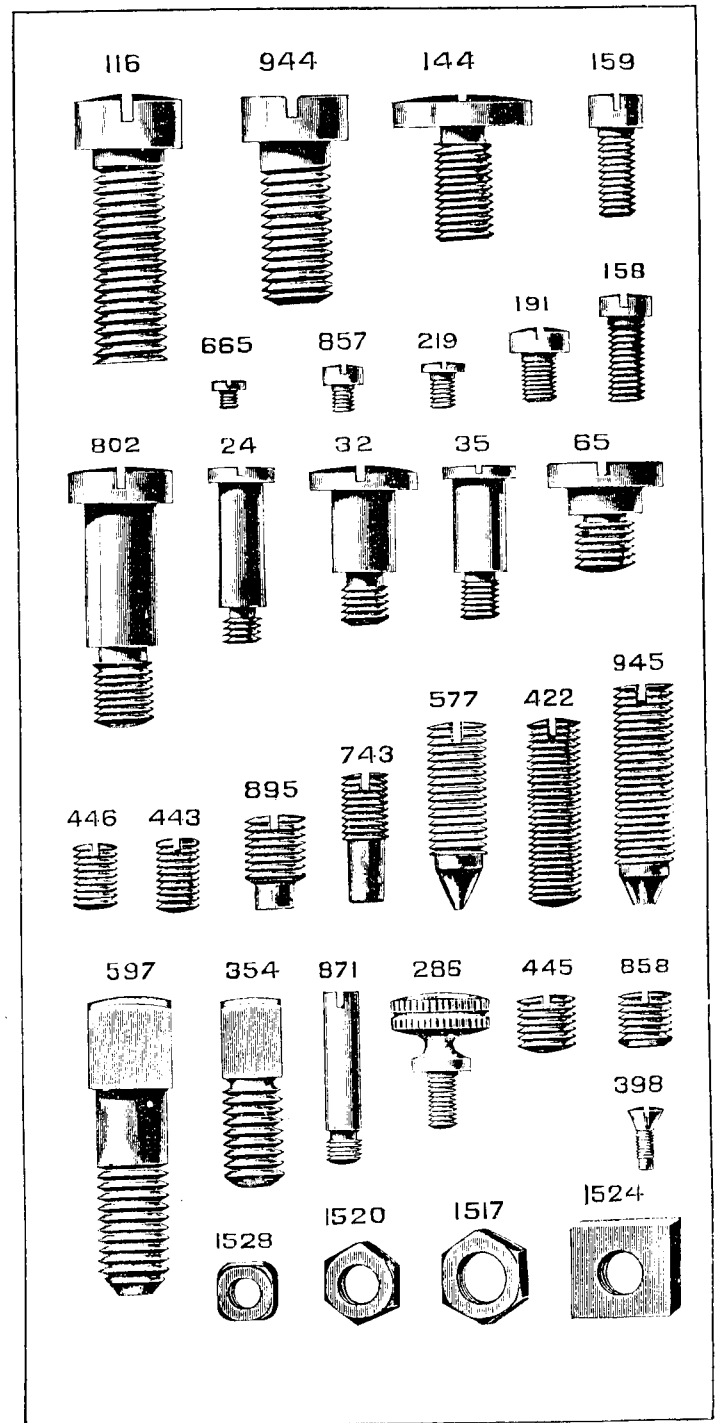


PLATE 1415—FULL SIZE

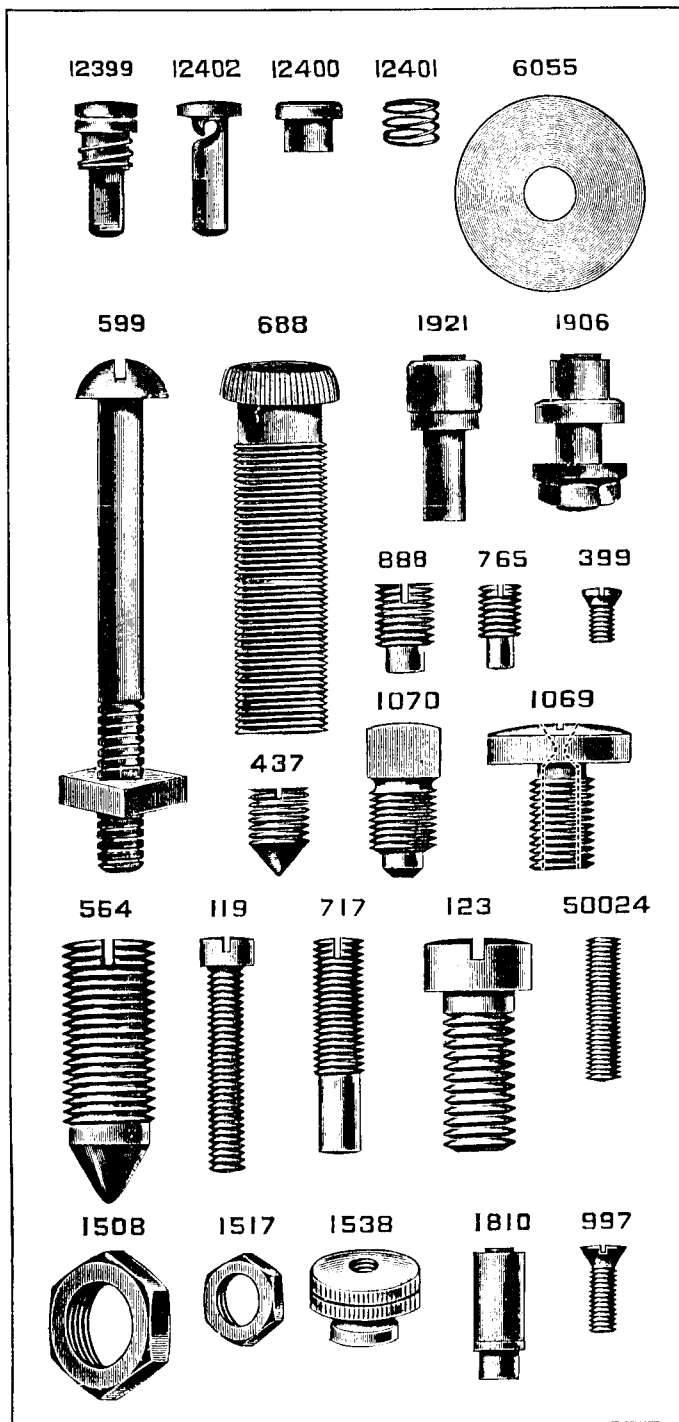


PLATE 1416—ONE-FOURTH SIZE

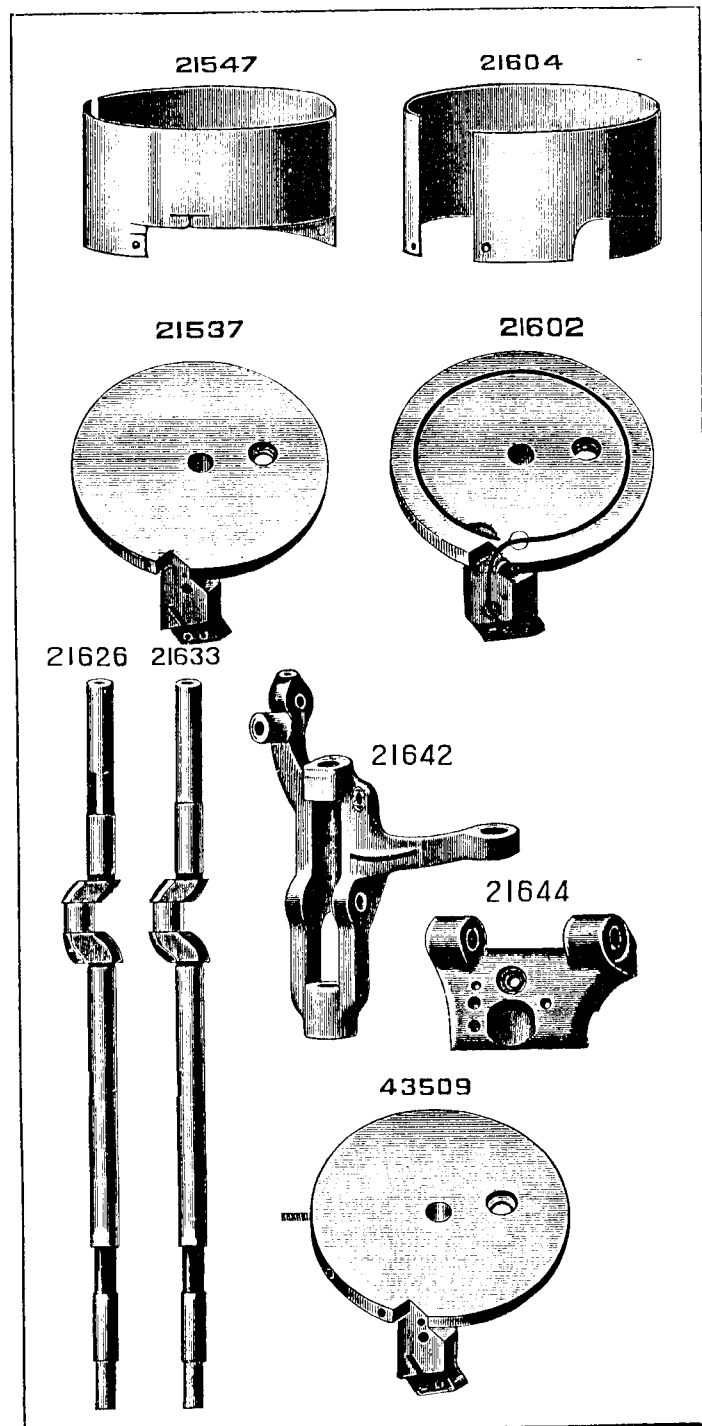


PLATE 1417—ONE-HALF SIZE

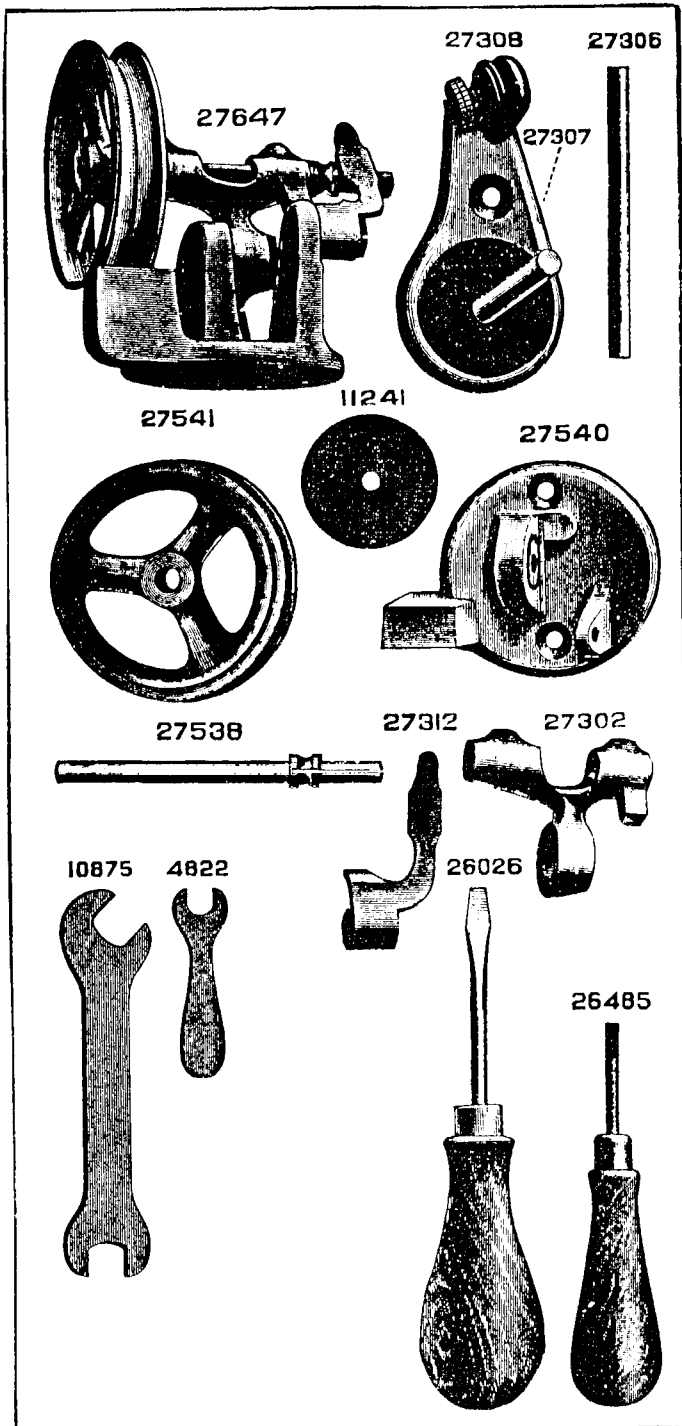


PLATE 1418—ONE-FOURTH SIZE

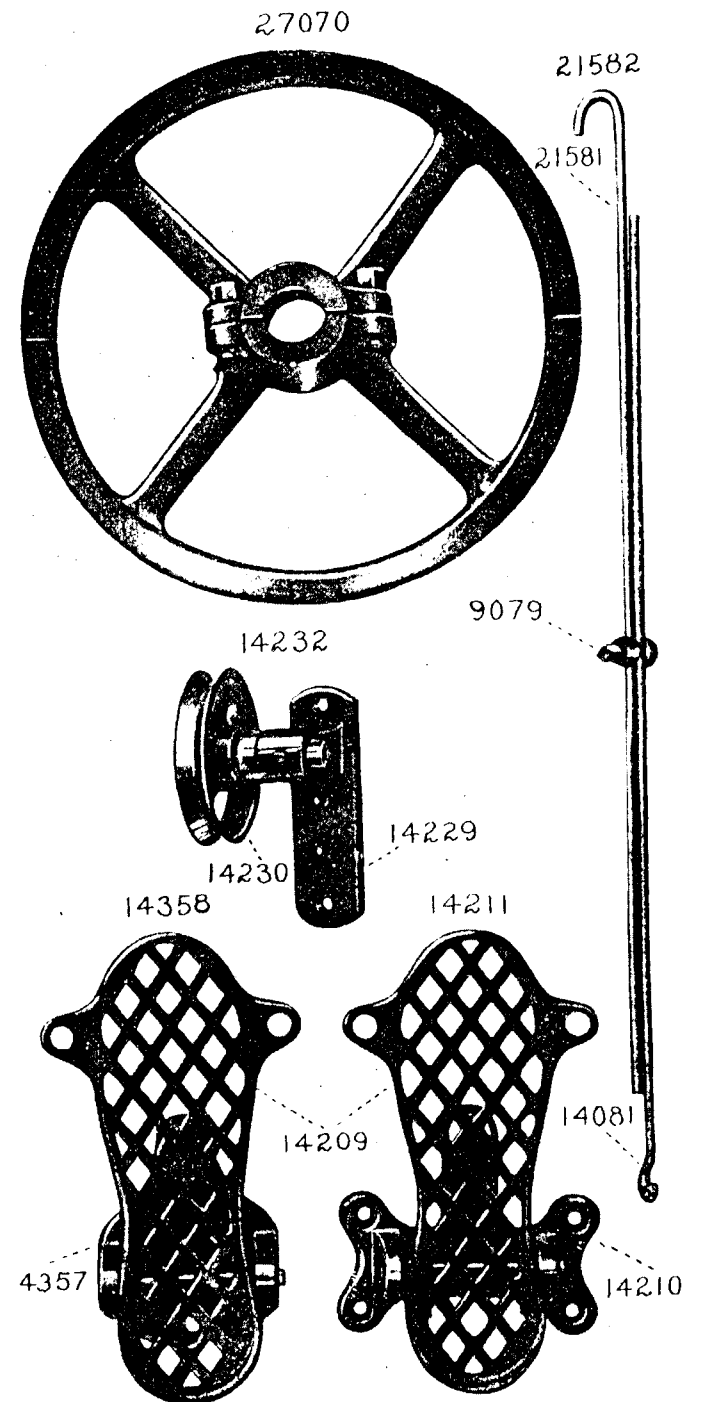


PLATE 1419—ONE-HALF SIZE

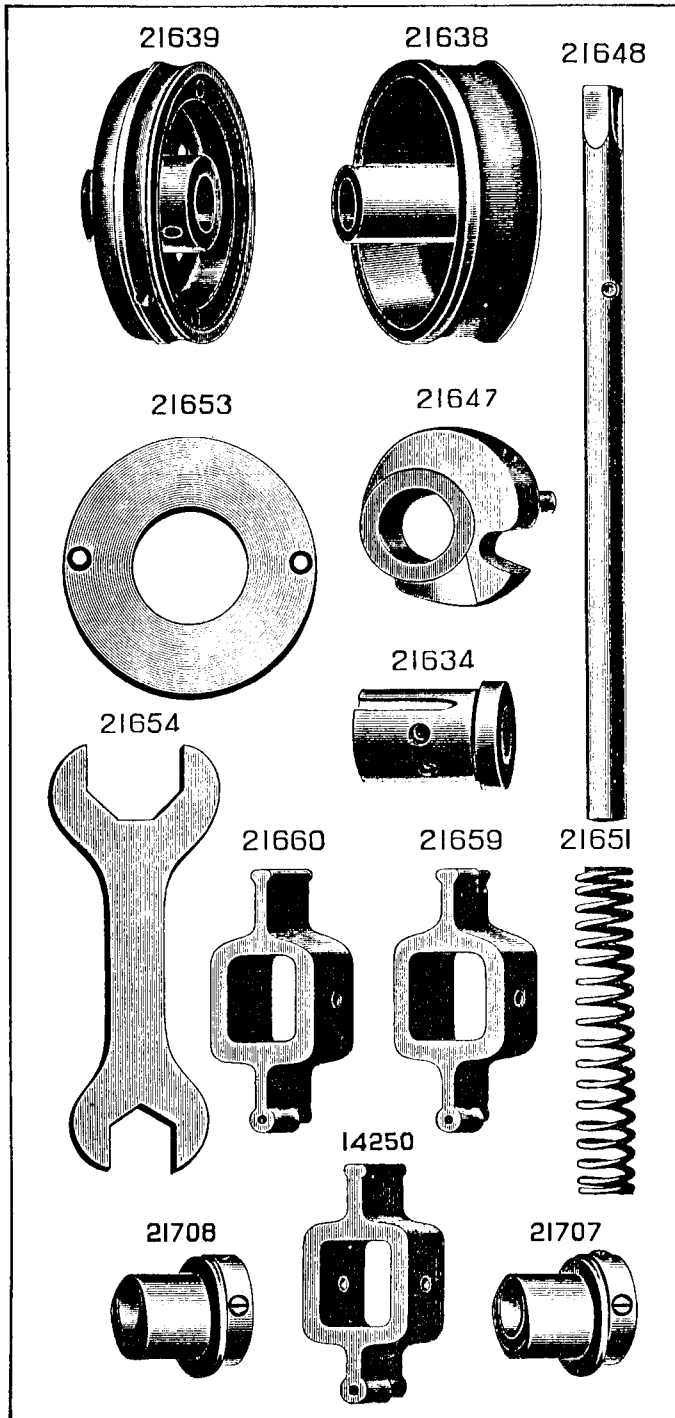


PLATE 1420—ONE-HALF SIZE

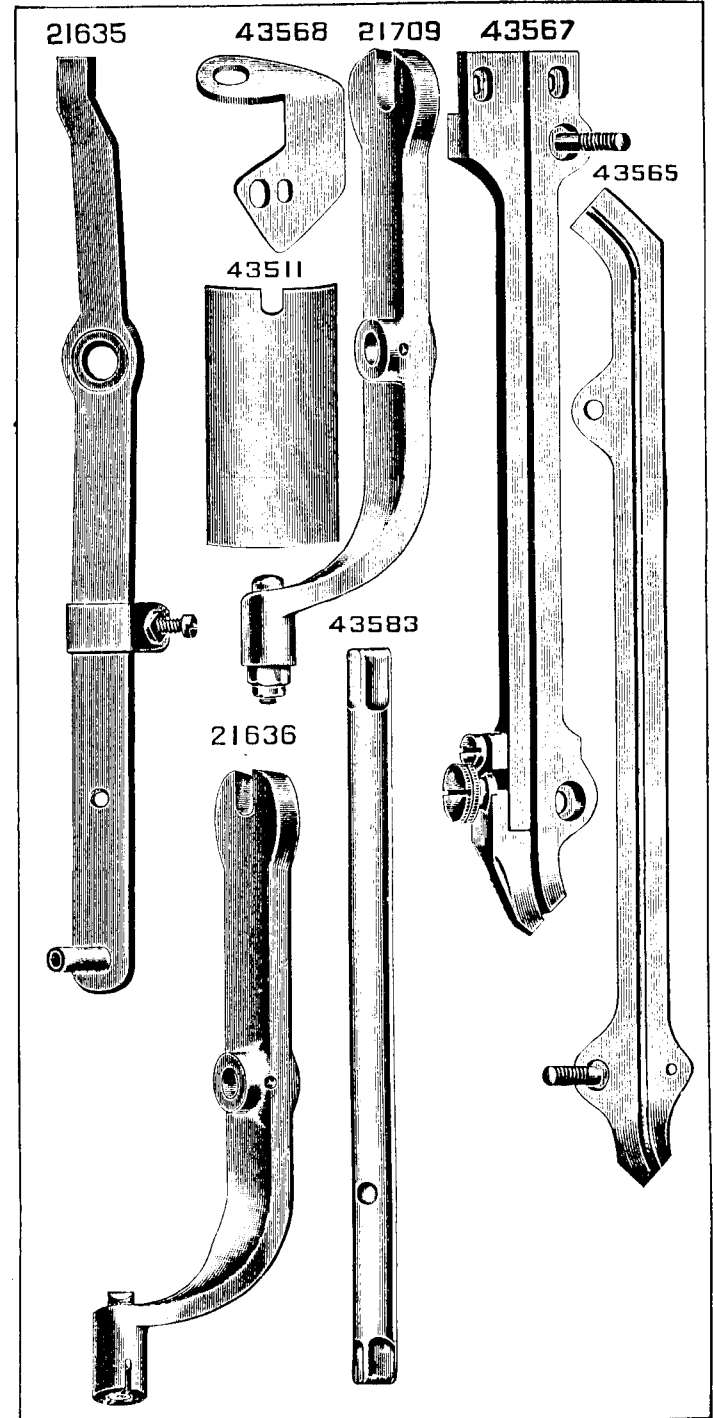


PLATE 1421—FULL SIZE

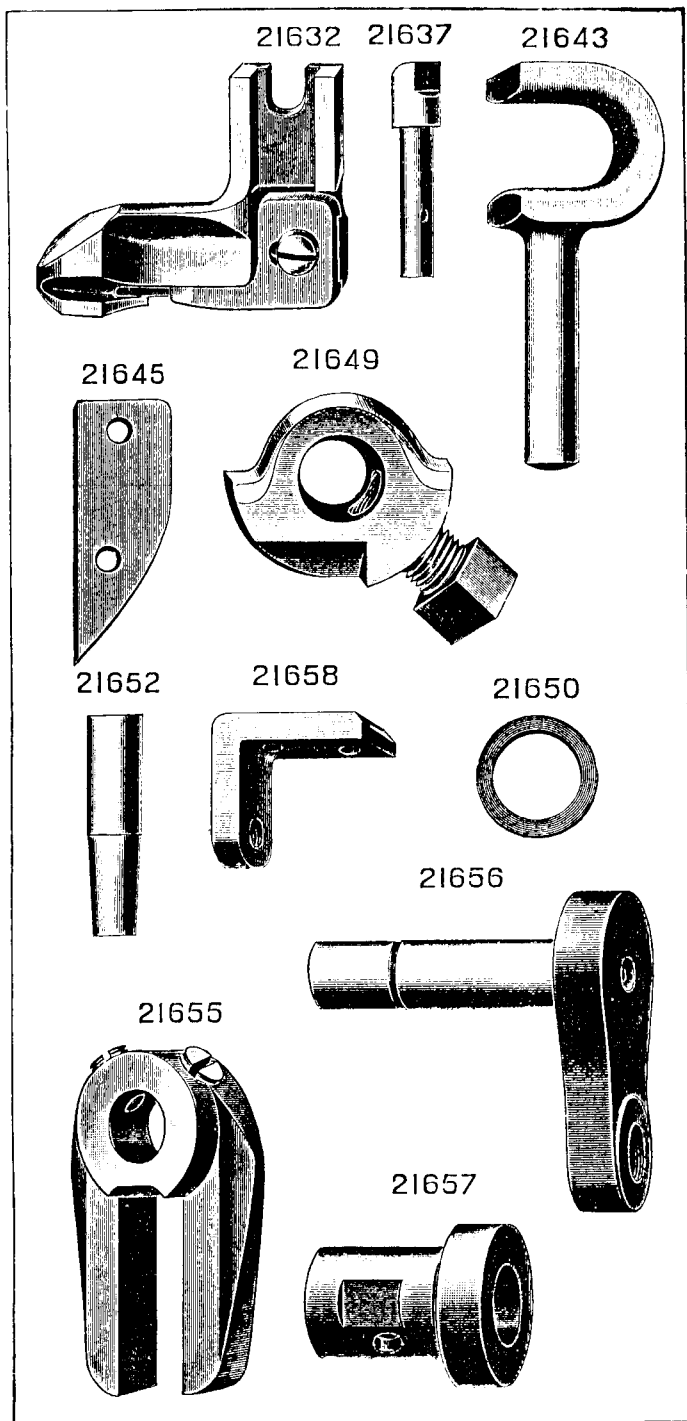


PLATE 1424—ONE-FOURTH SIZE

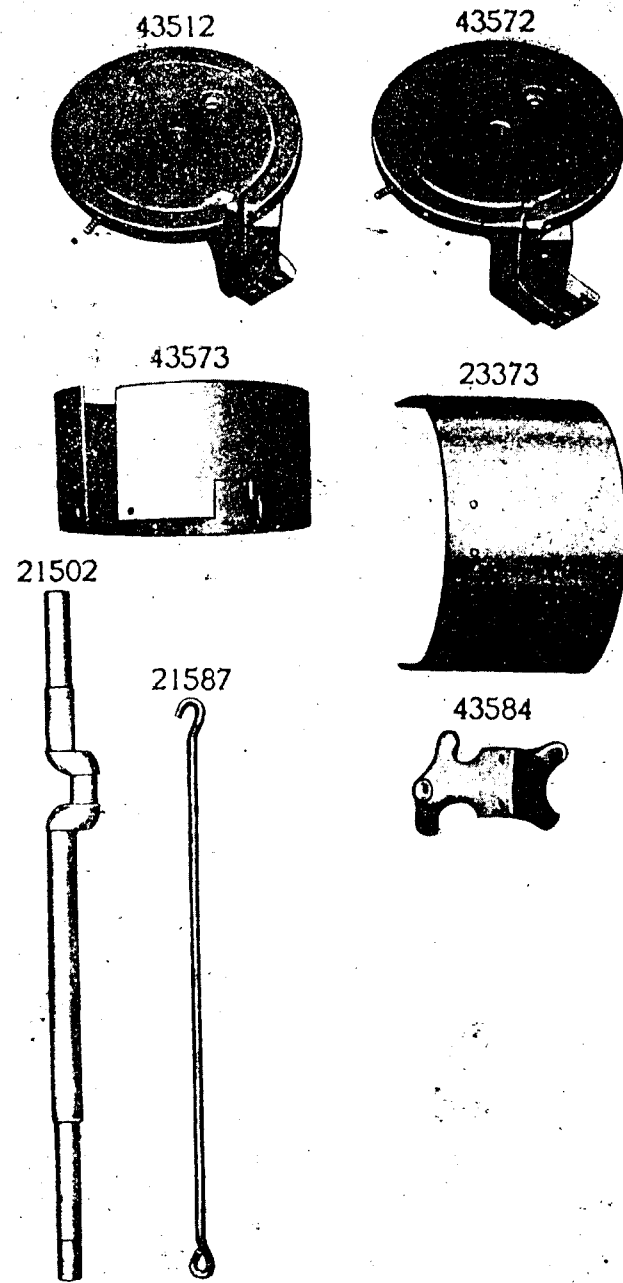


PLATE 1425—FULL SIZE

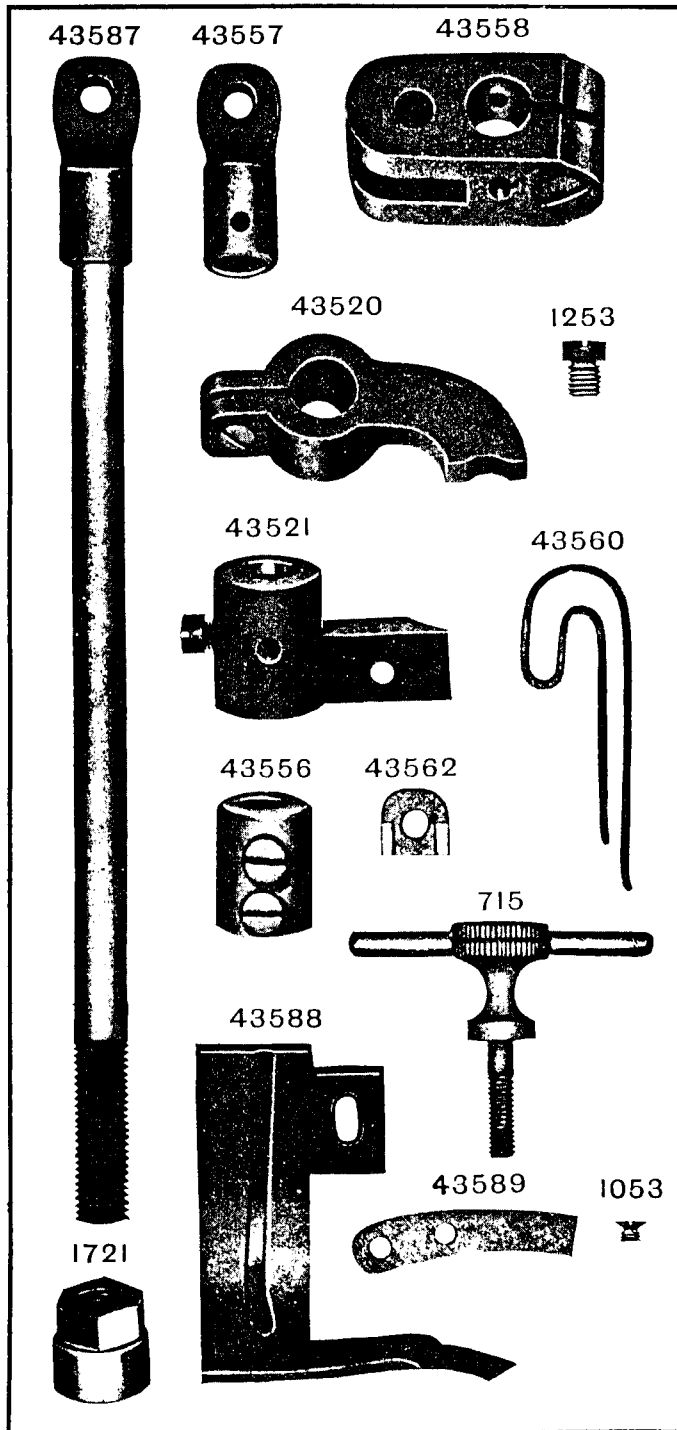


PLATE 1426—FULL SIZE

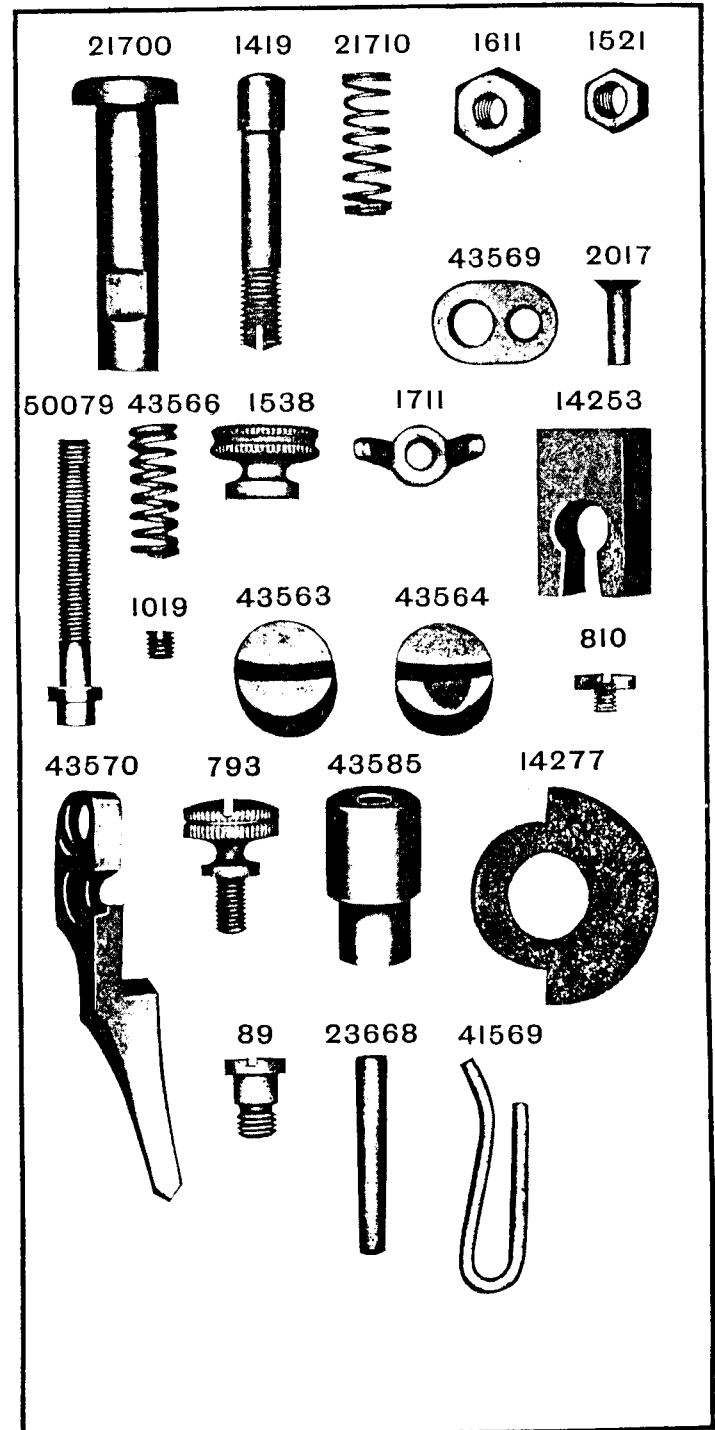


PLATE 1427—FULL SIZE

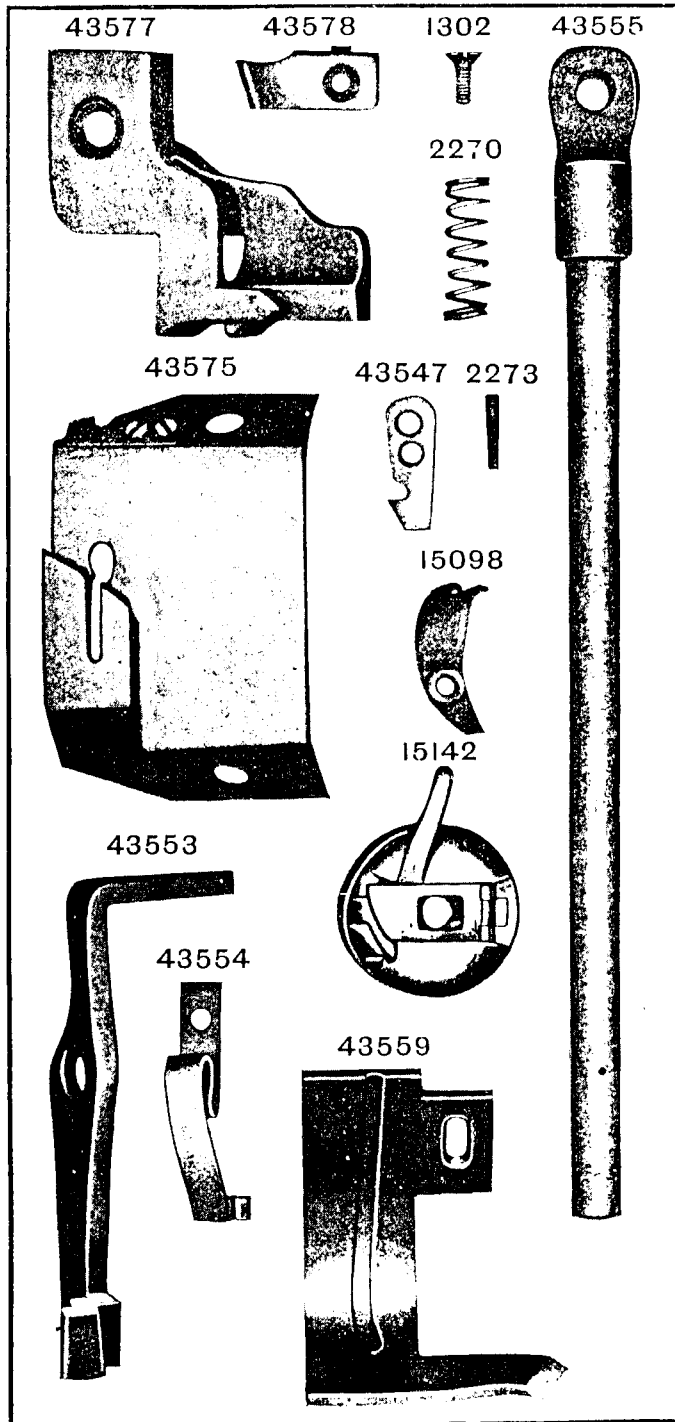


PLATE 1428—FULL SIZE

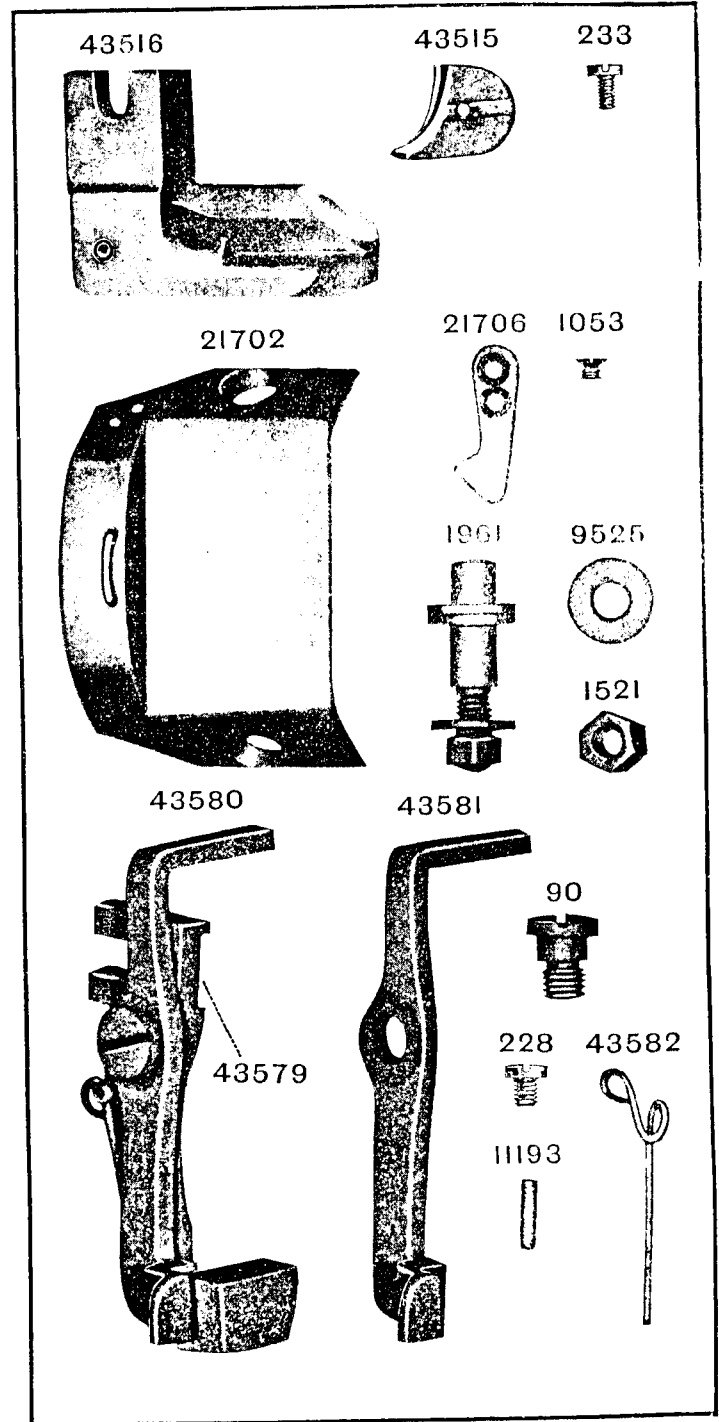


PLATE 1429—ONE-HALF SIZE

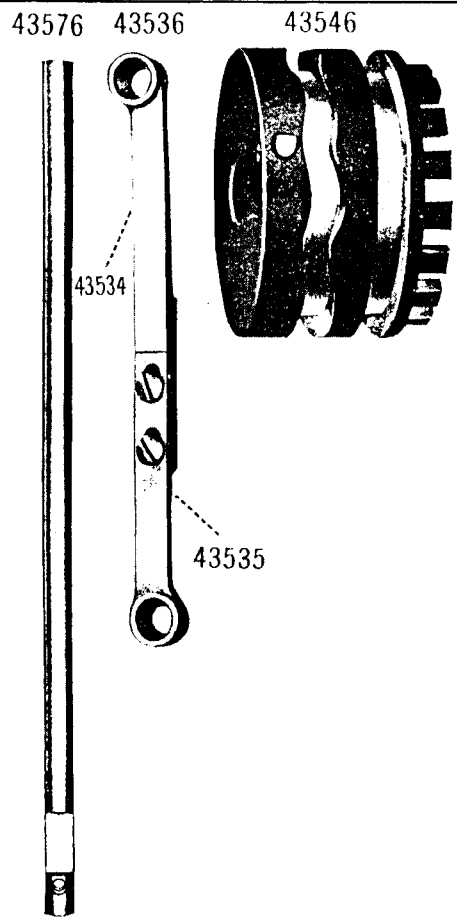


PLATE 1430—FULL SIZE

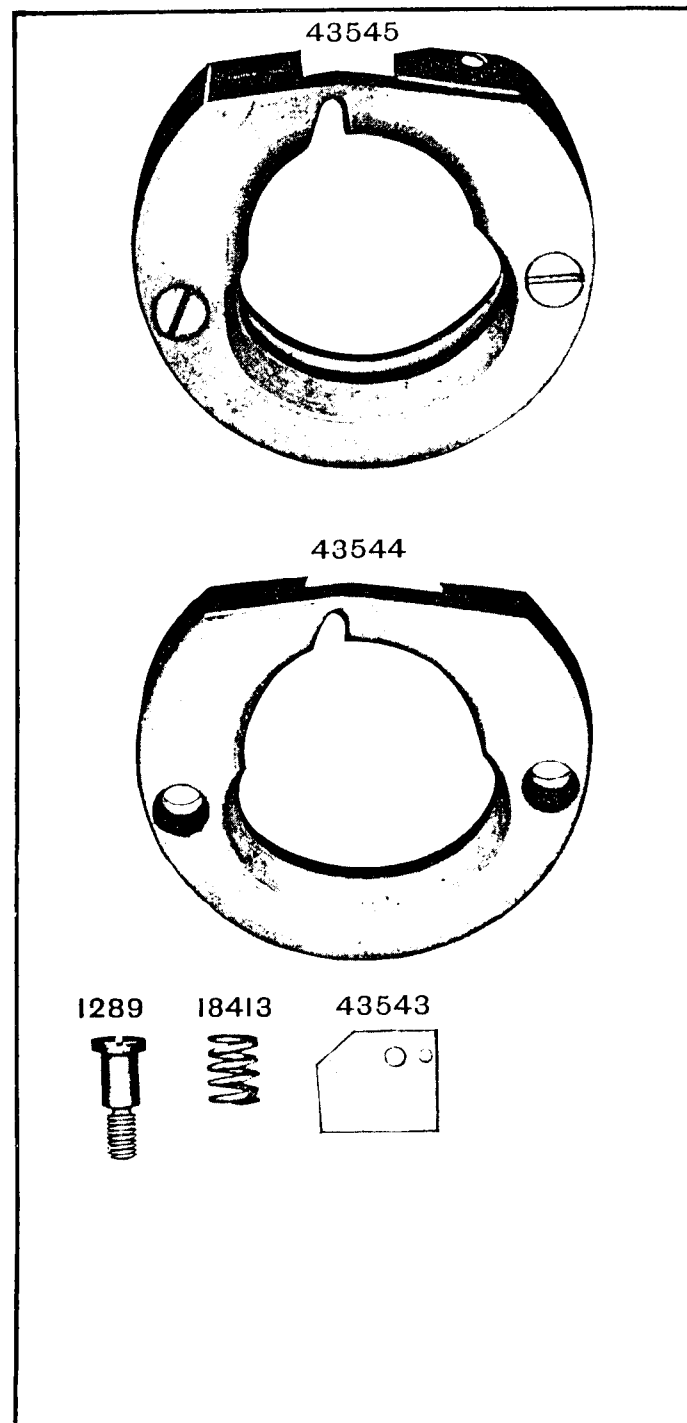
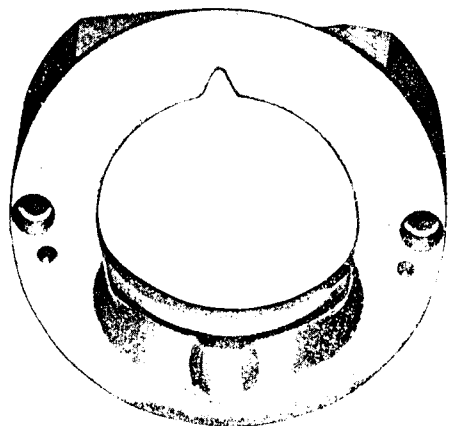
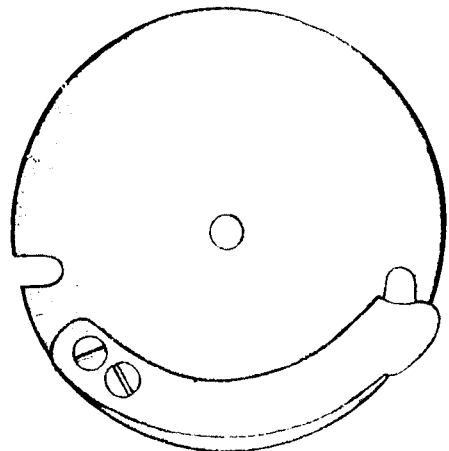


PLATE 1431—FULL SIZE

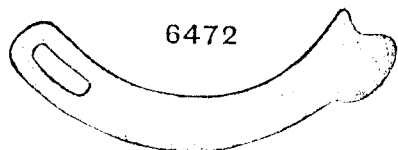
21564



21566



6472



102

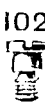
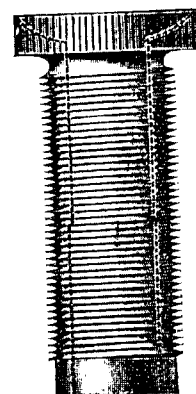


PLATE 1432—FULL SIZE

913



939



1149



453



456



208



217



465



1638

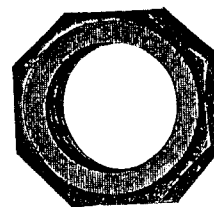


PLATE 1433—ONE-HALF SIZE

36472

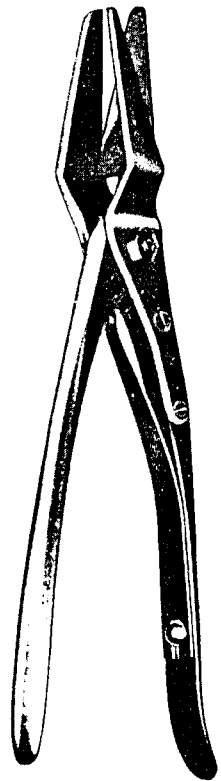
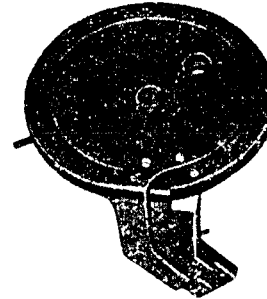
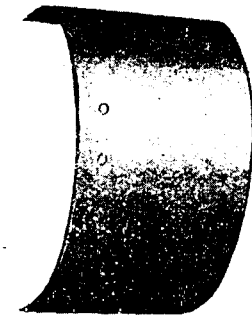


PLATE 1434—ONE-FOURTH SIZE

43683



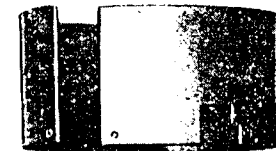
23373



43584



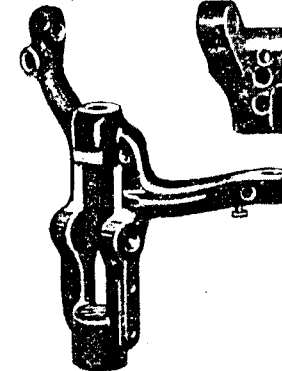
43573



43677



43704



21730



PLATE 1435—FULL SIZE

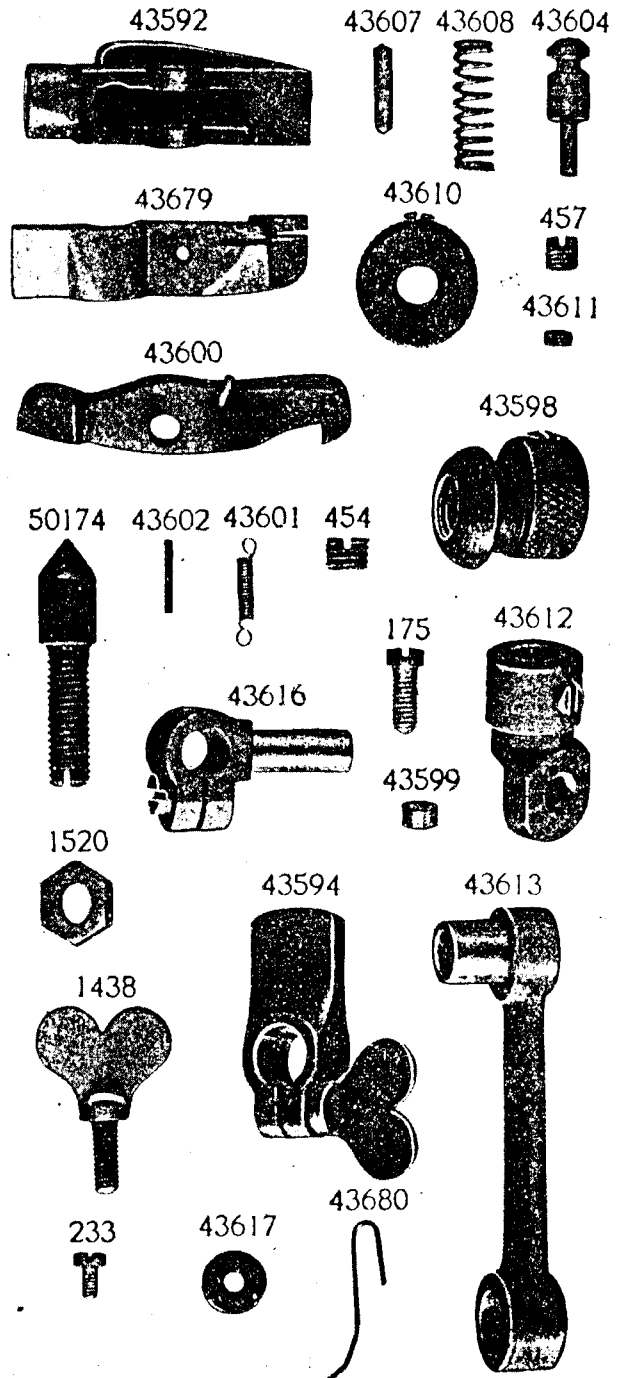


PLATE 1436—FULL SIZE

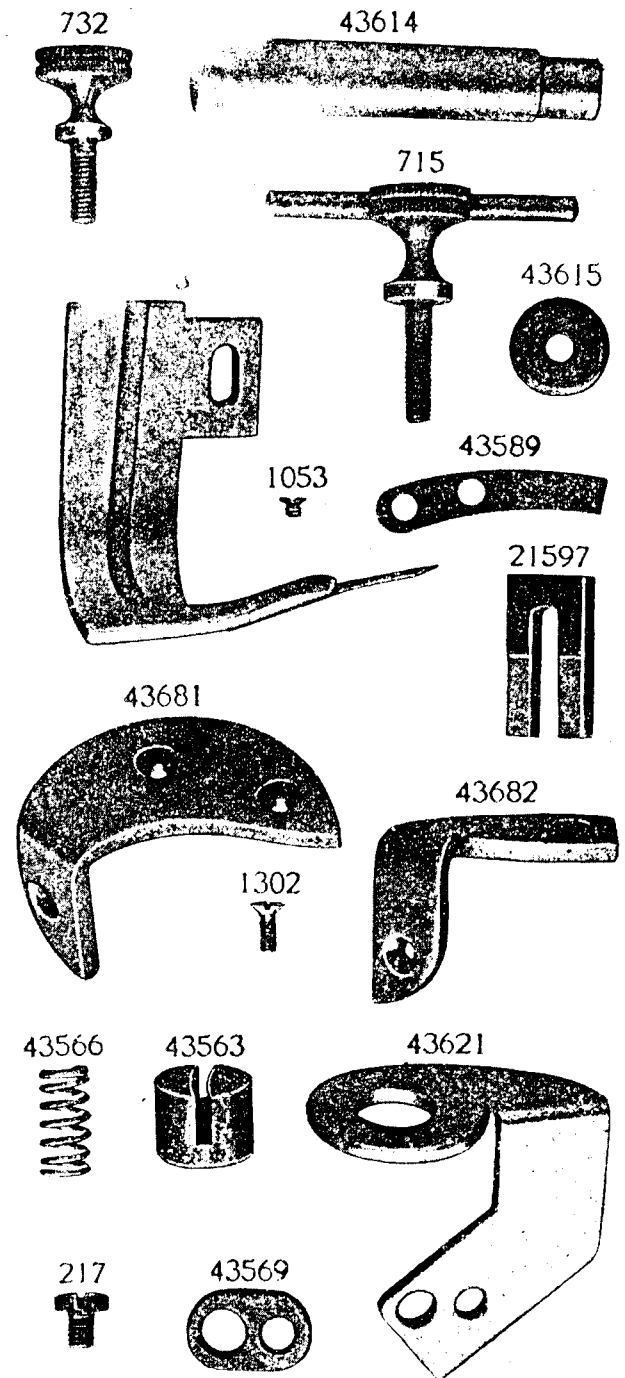


PLATE 1437—ONE-HALF SIZE

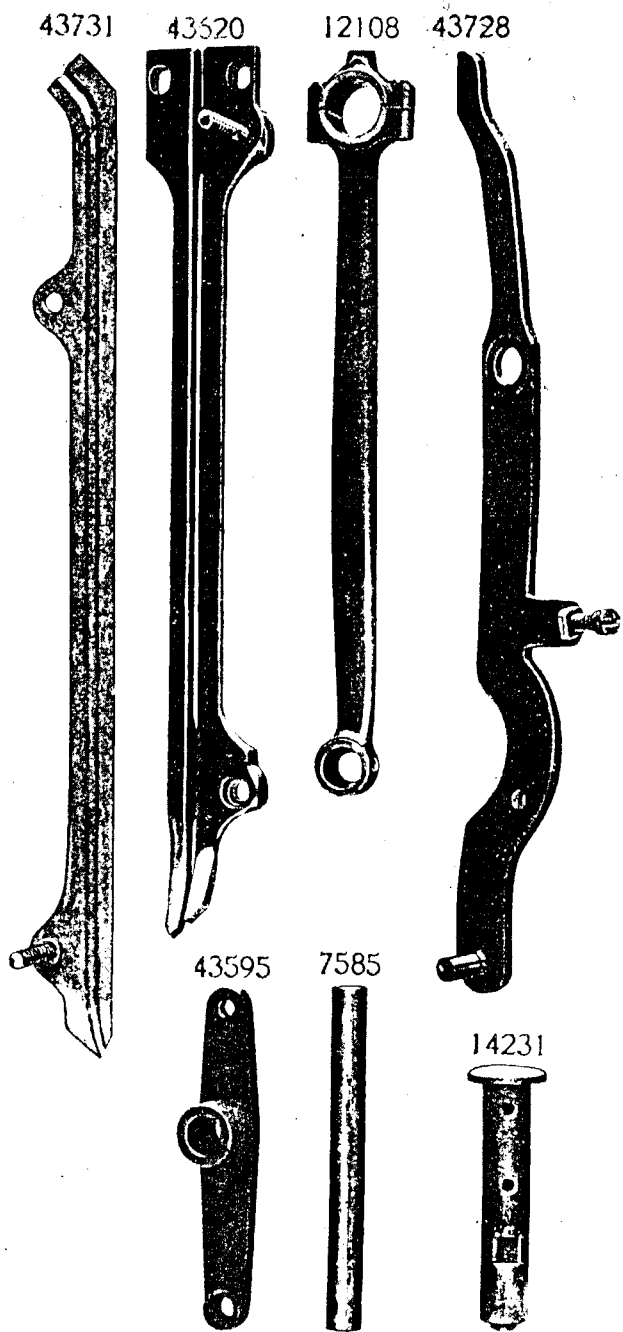


PLATE 1438—ONE-HALF SIZE

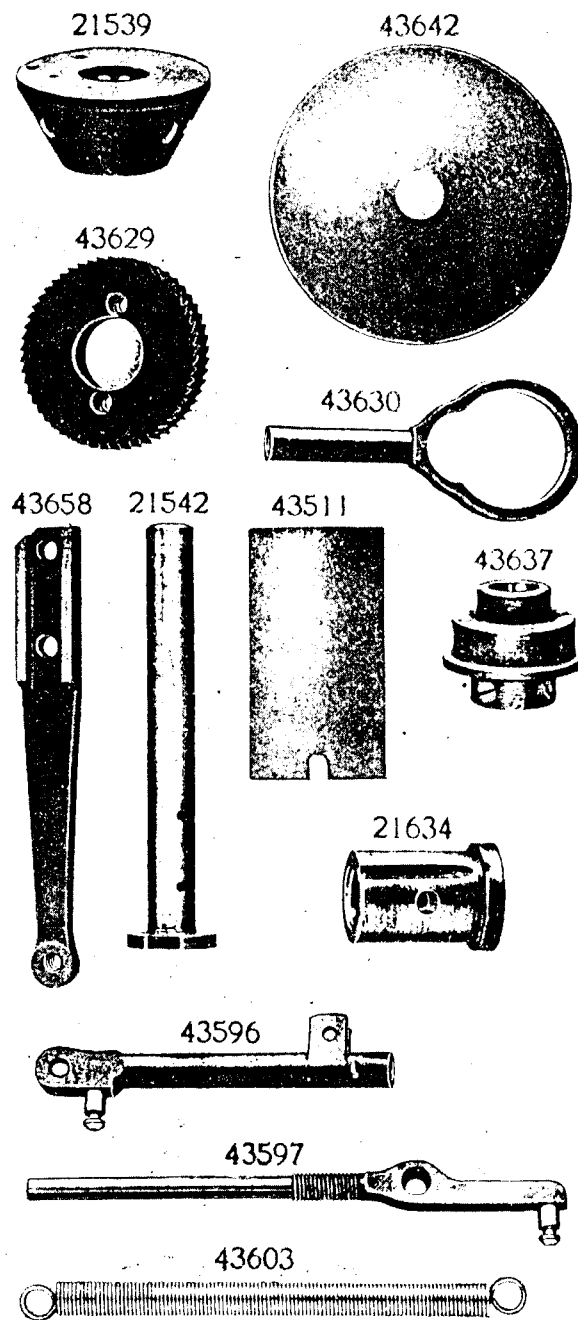


PLATE 1439—FULL SIZE

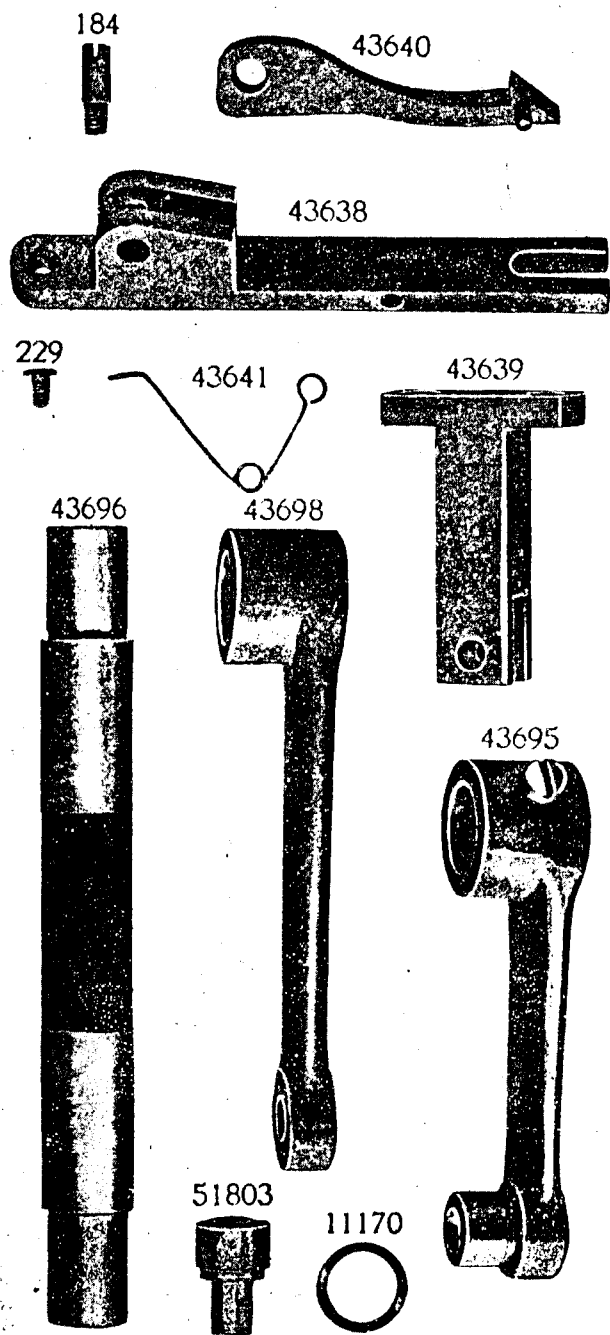


PLATE 1440—FULL SIZE

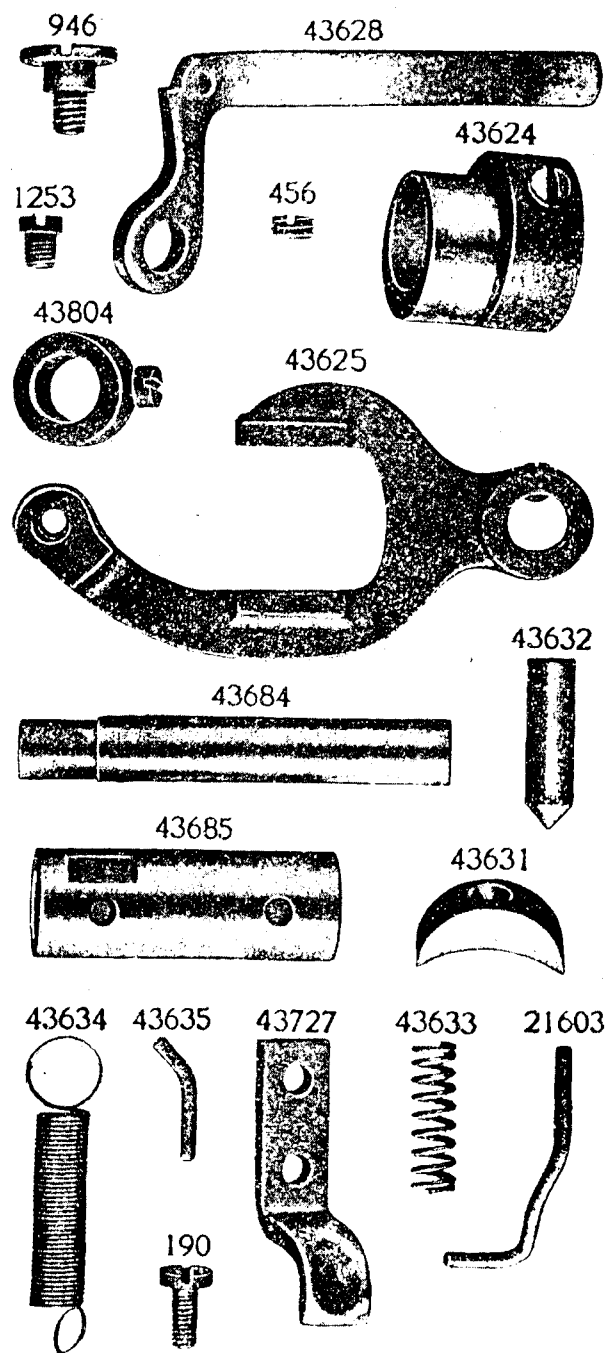


PLATE 1441—ONE-HALF SIZE

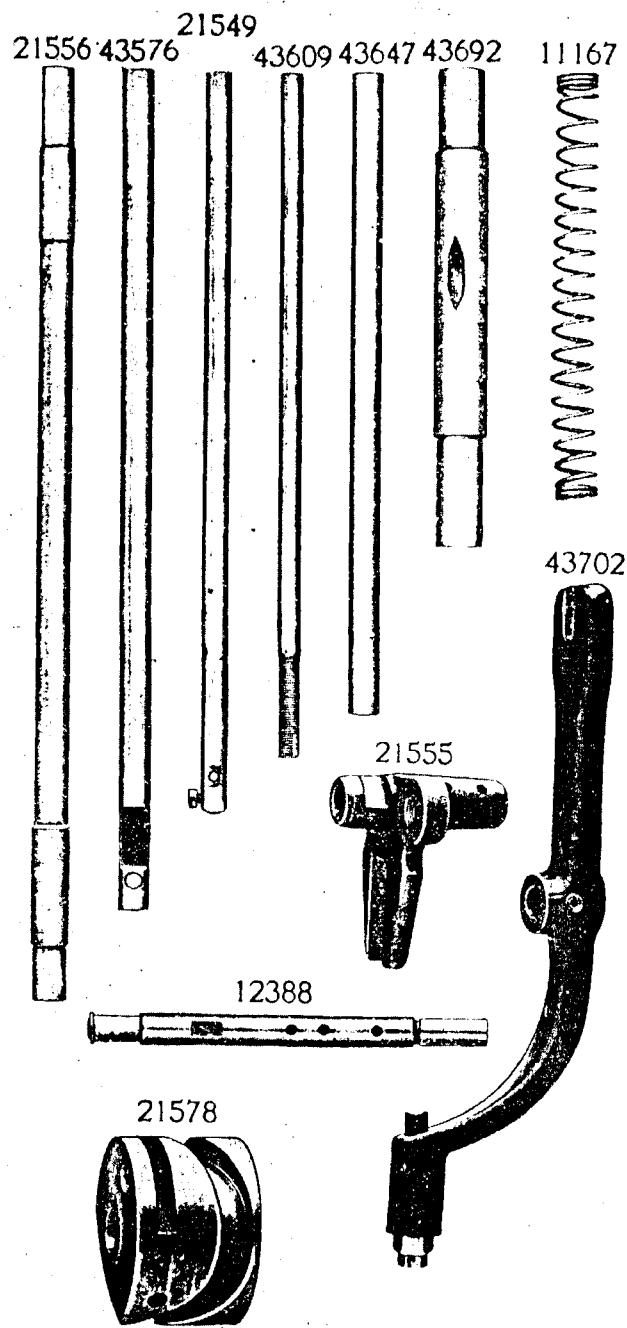


PLATE 1442—ONE-HALF SIZE

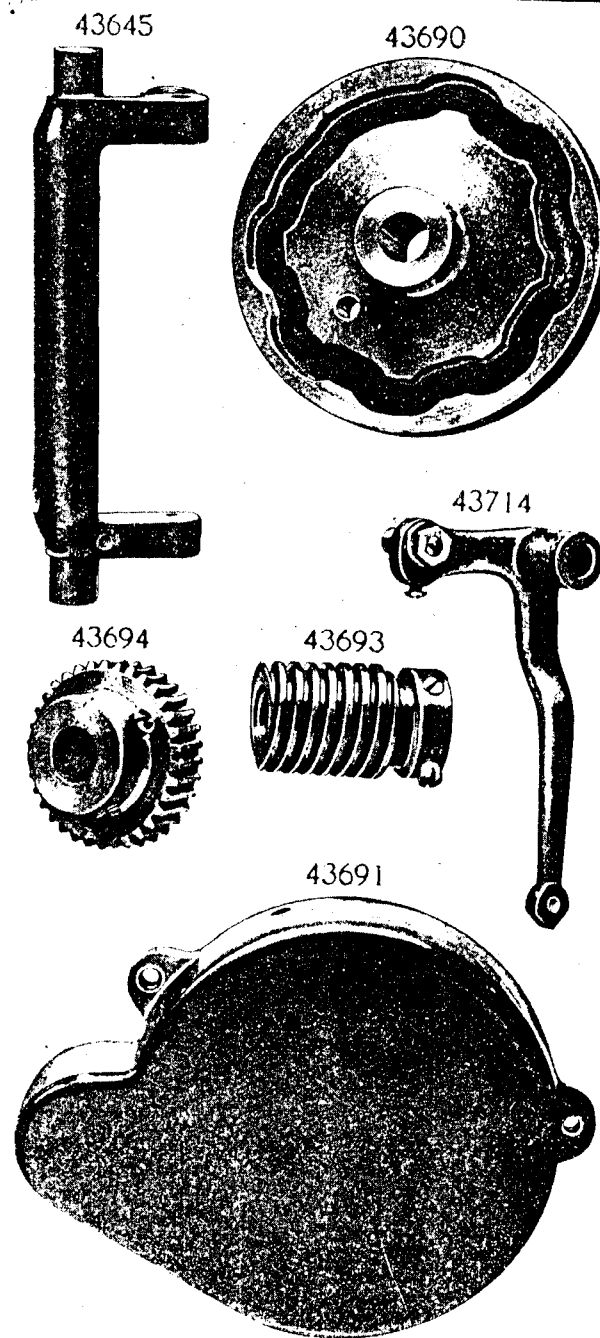


PLATE 1443—FULL SIZE

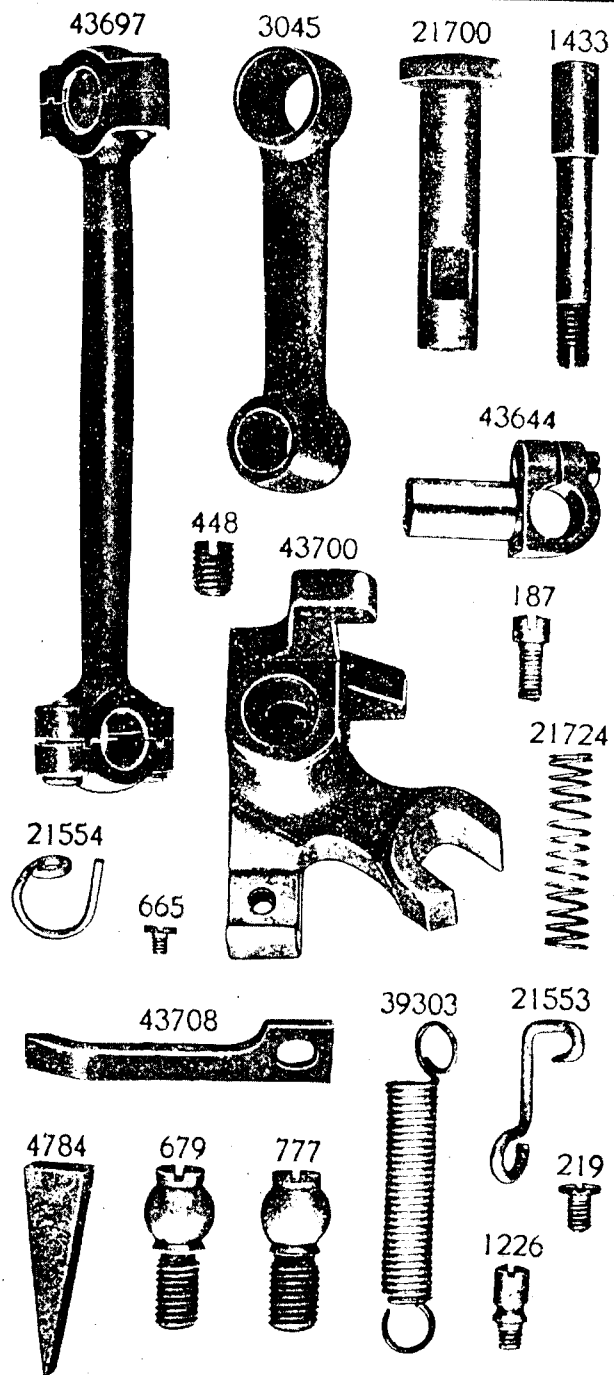


PLATE 1444—FULL SIZE

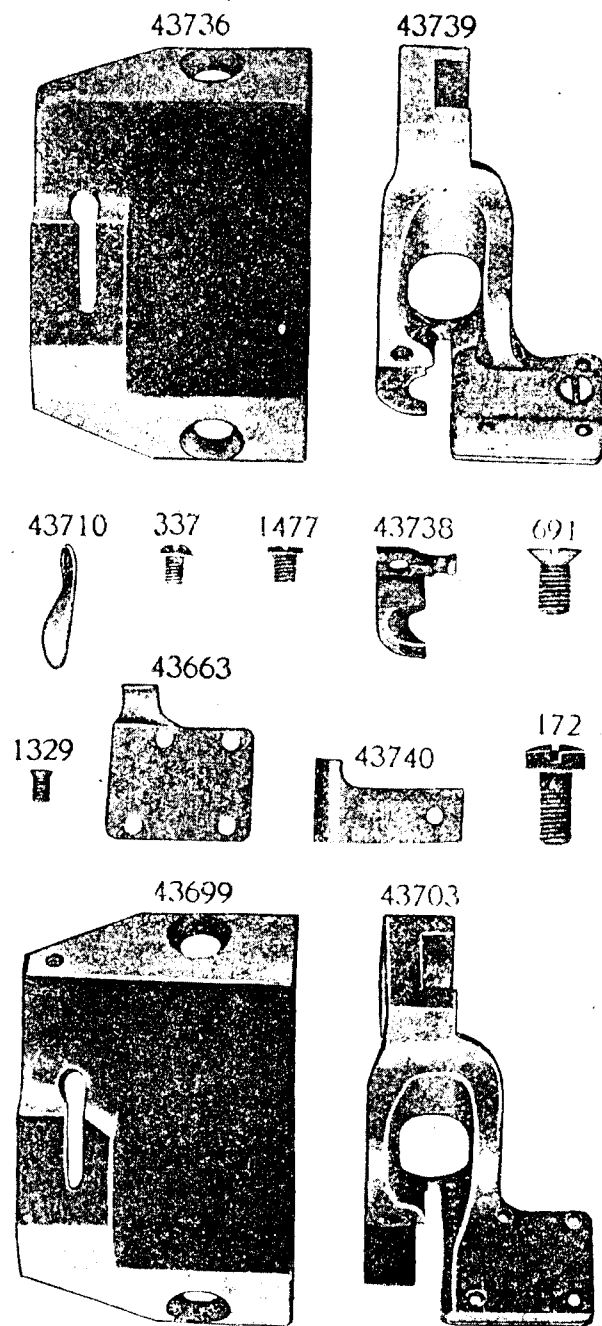


PLATE 1445—ONE-HALF SIZE

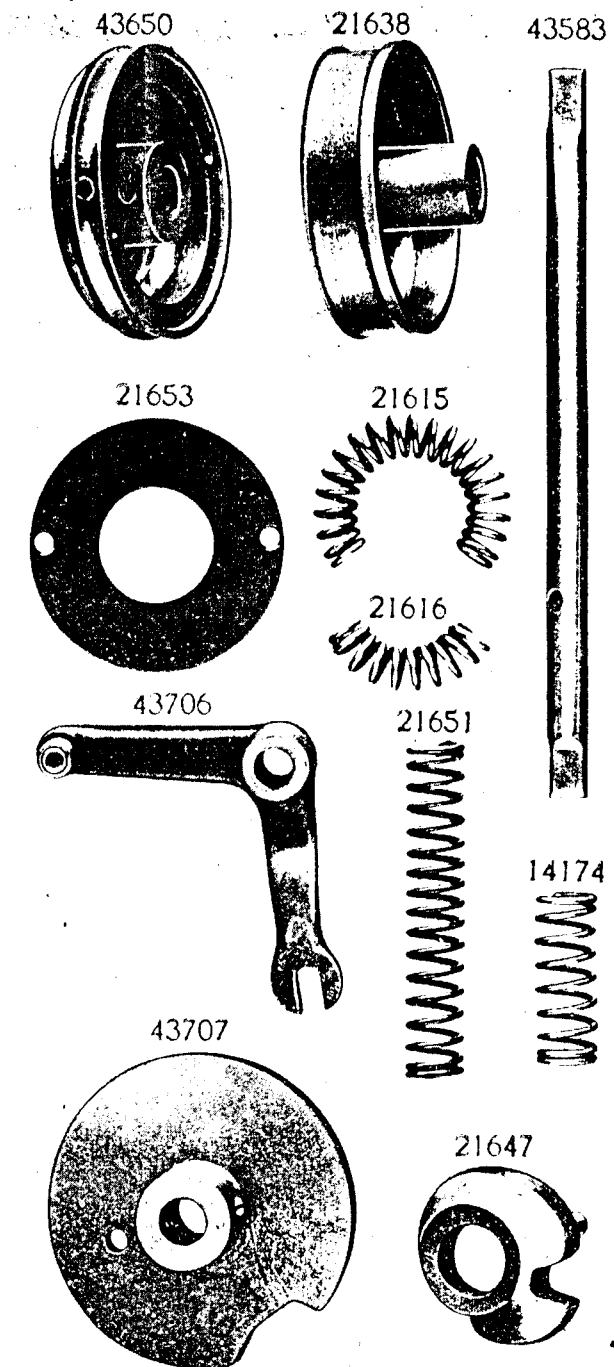


PLATE 1446—FULL SIZE

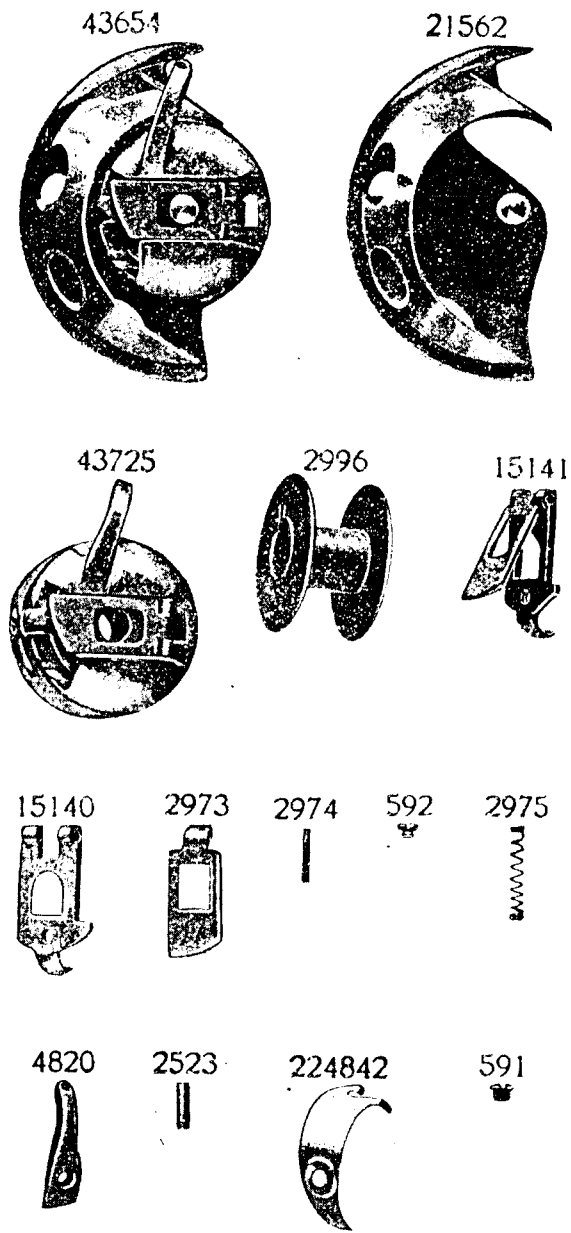


PLATE 1447—FULL SIZE

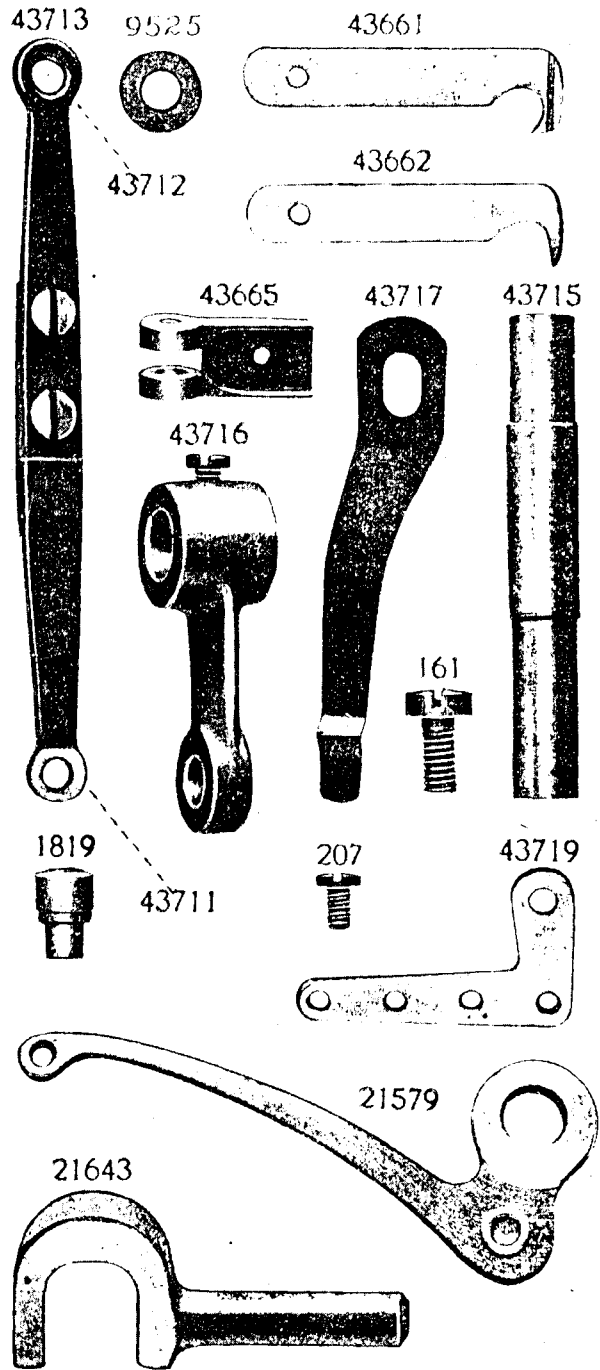


PLATE 1448—FULL SIZE

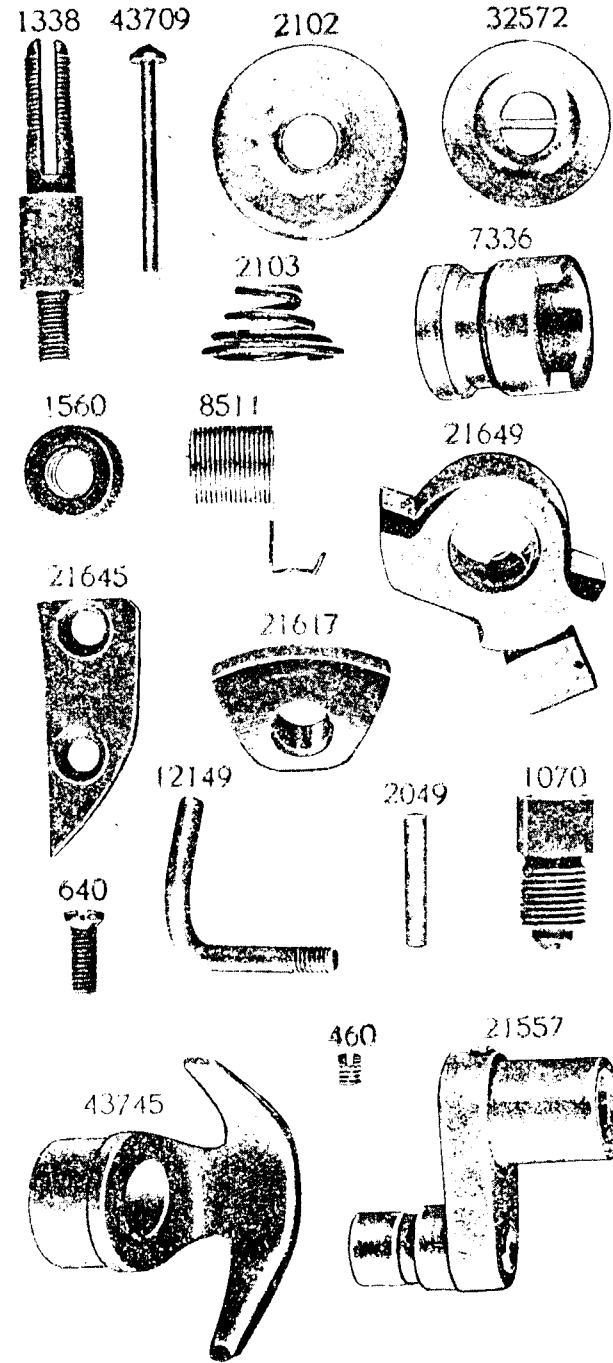


PLATE 1449—FULL SIZE

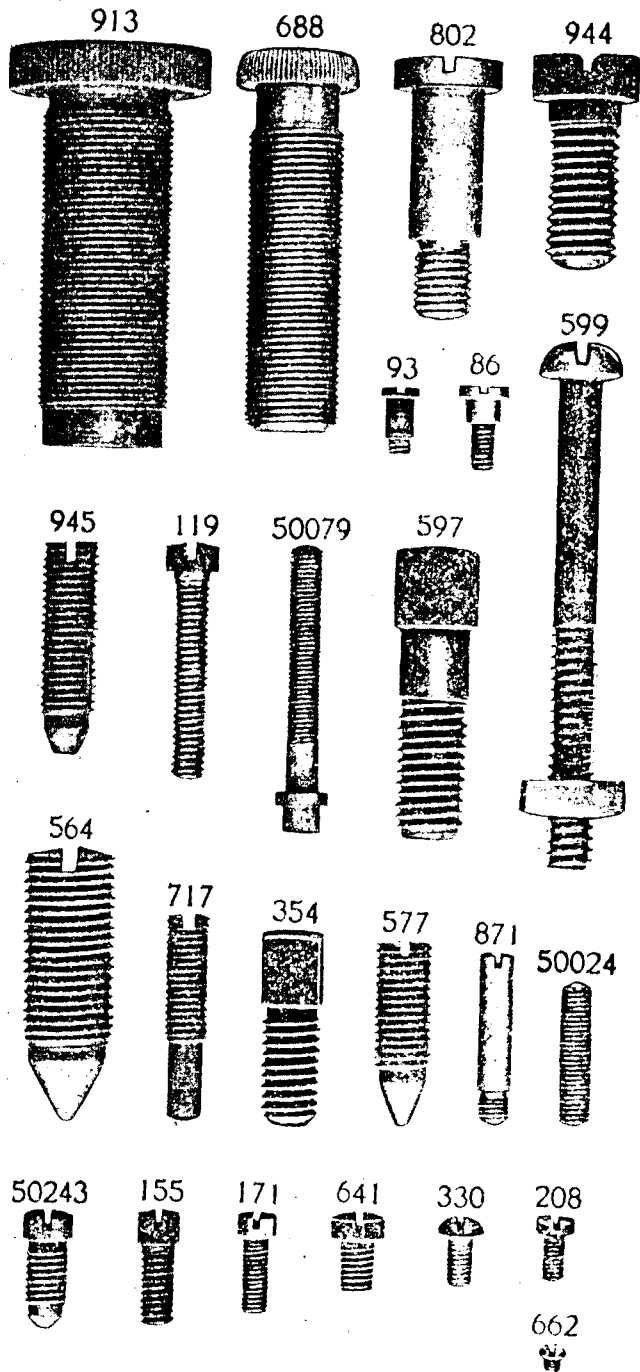


PLATE 1450—FULL SIZE

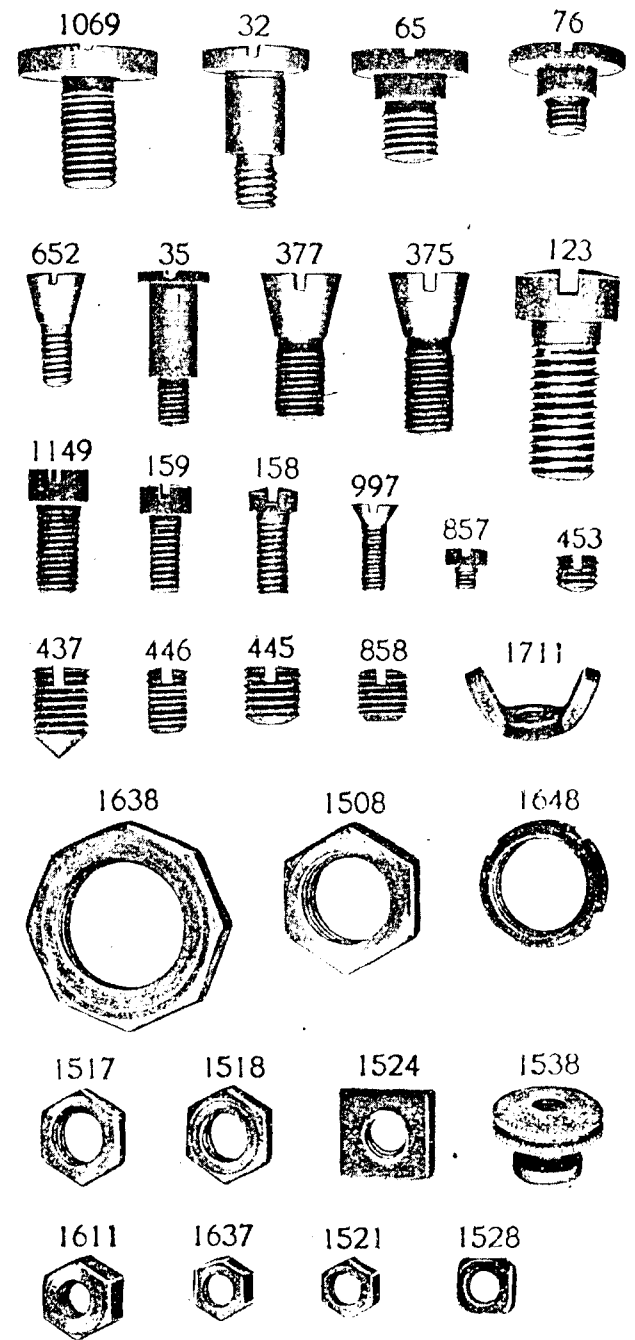


PLATE 1451—FULL SIZE

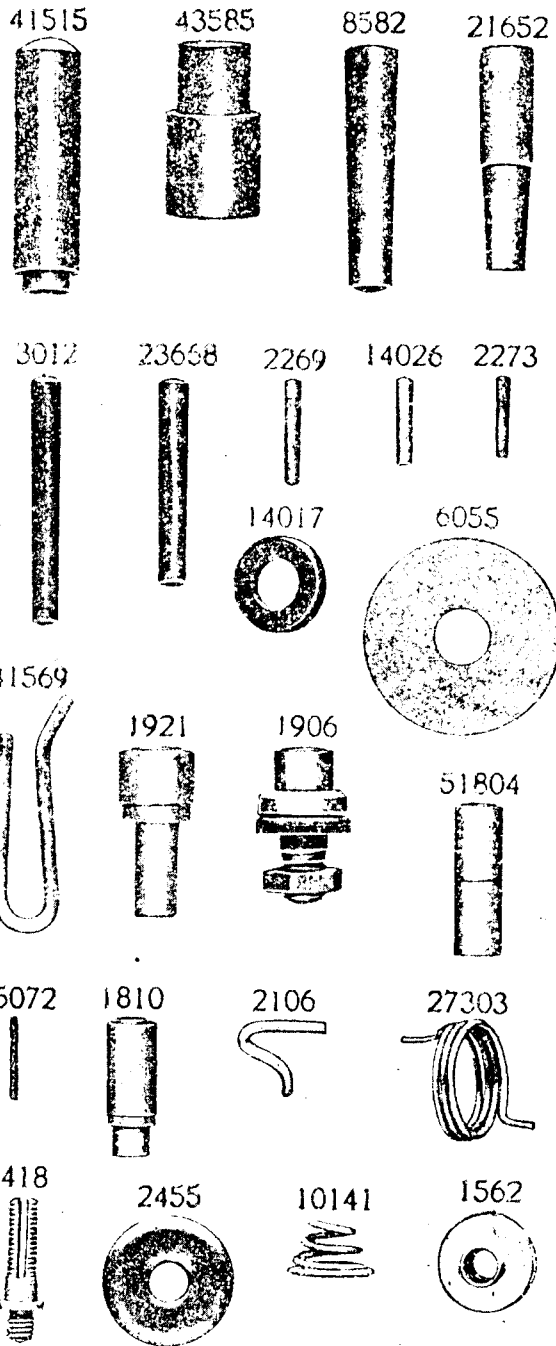


PLATE 1452—ONE-HALF SIZE

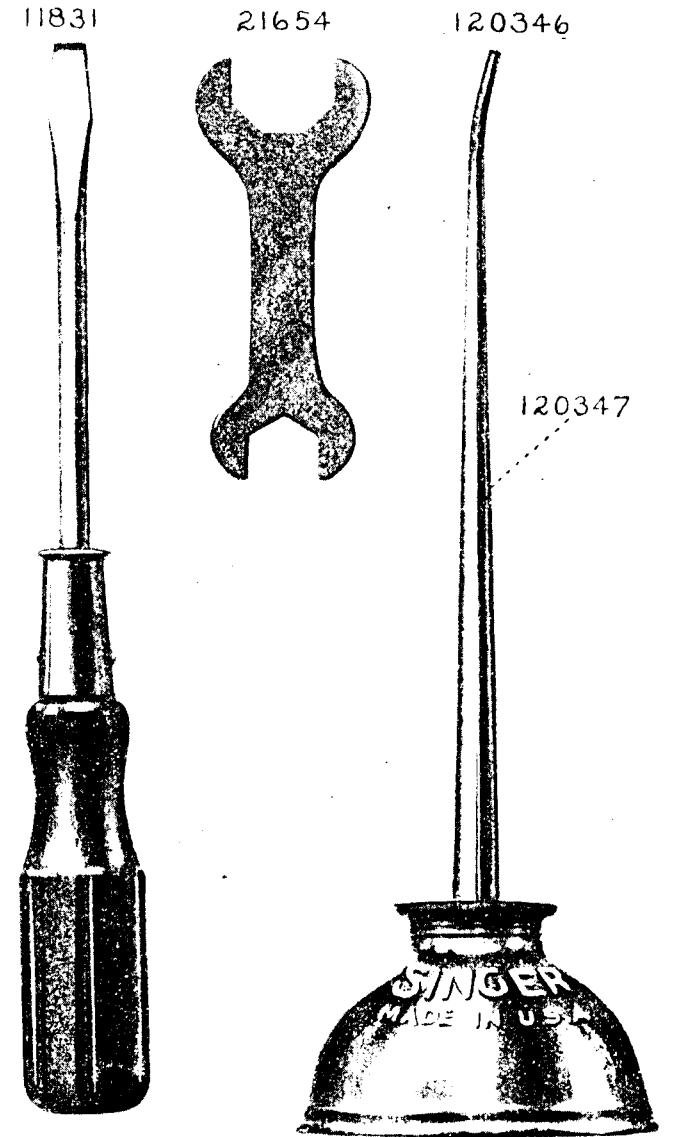


PLATE 1468—FULL SIZE

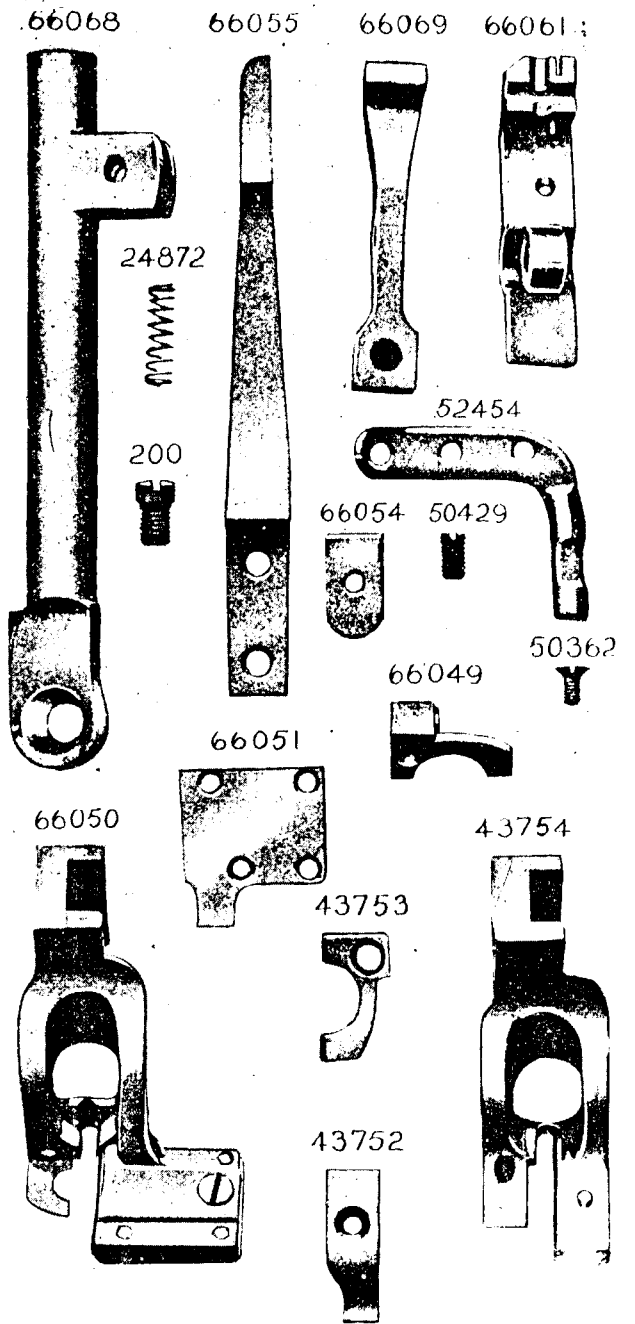


PLATE 1469—FULL SIZE

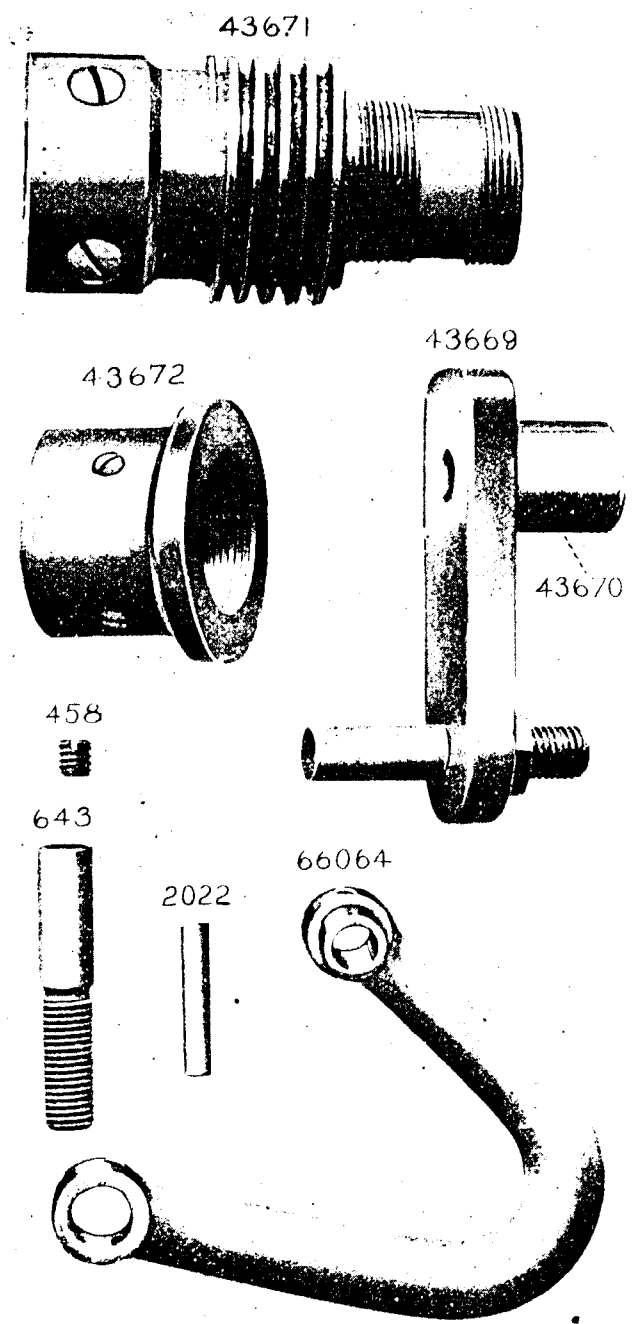


PLATE 1470—ONE-HALF SIZE

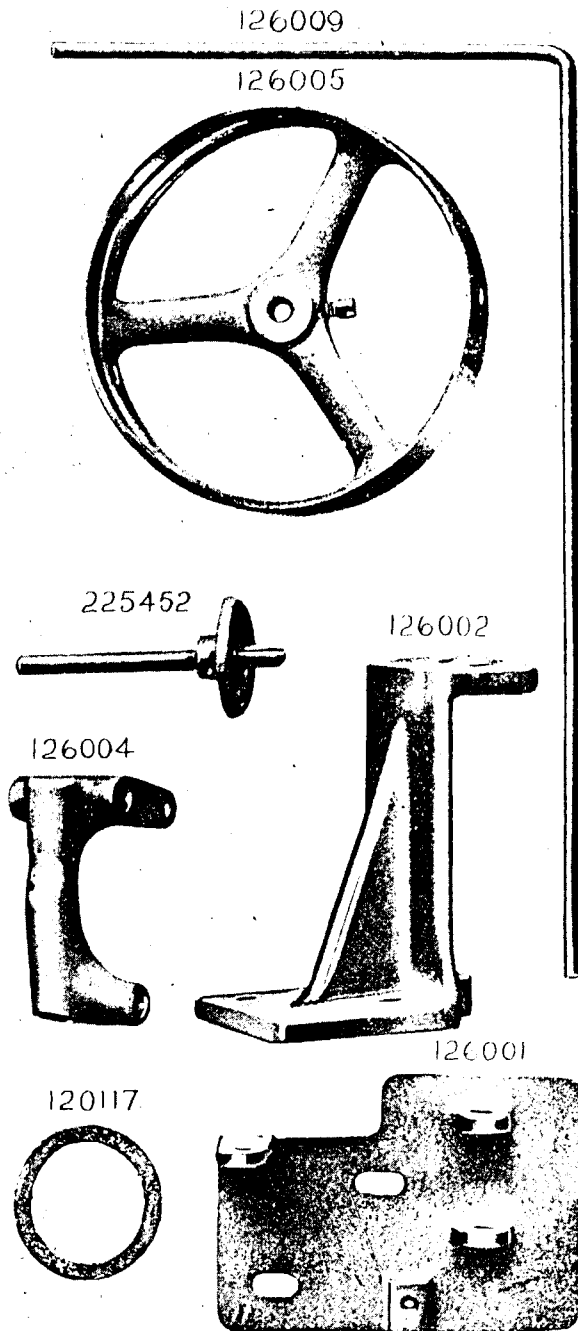


PLATE 1471—FULL SIZE

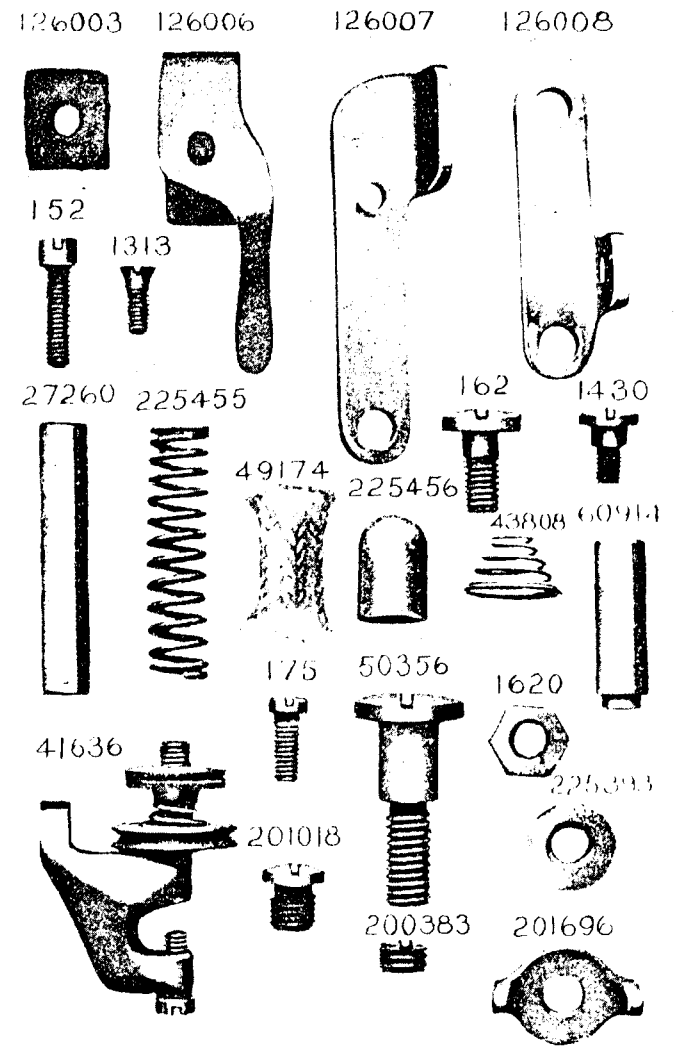


PLATE 1472—FULL SIZE

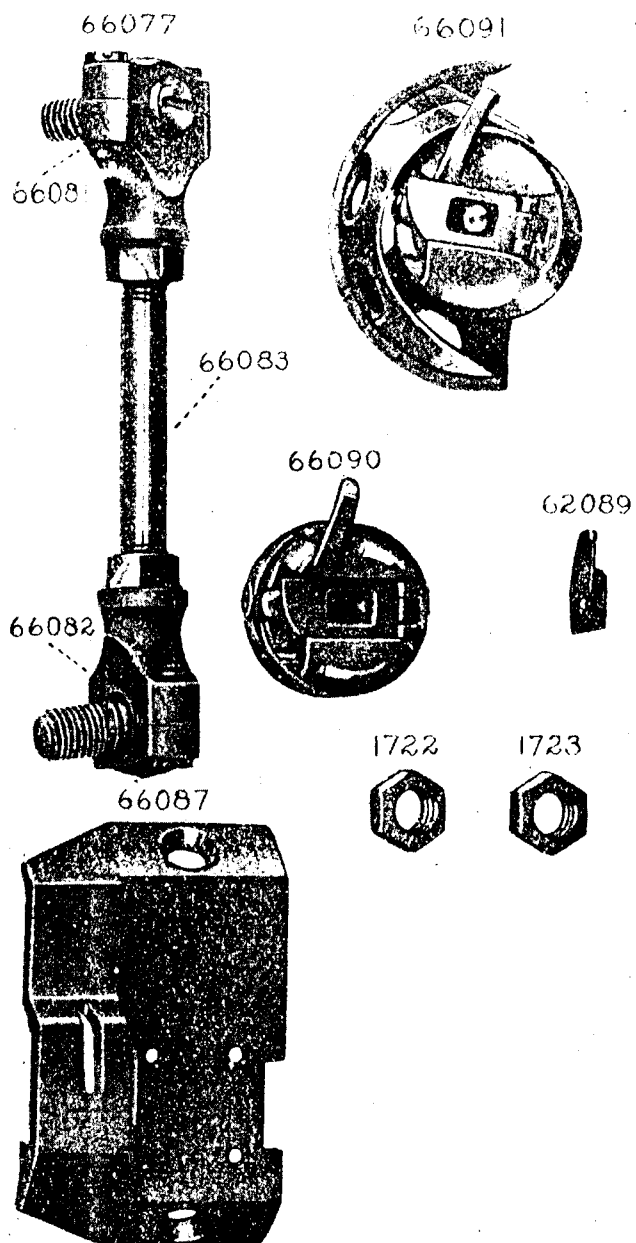


PLATE 1473—ONE-HALF SIZE

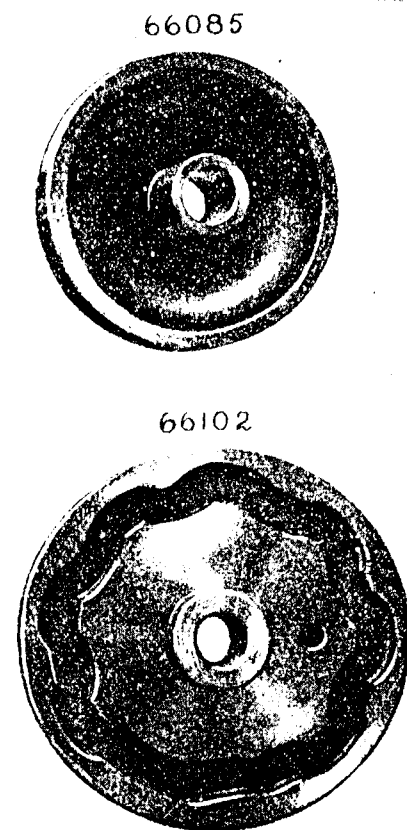


PLATE 1474—FULL SIZE

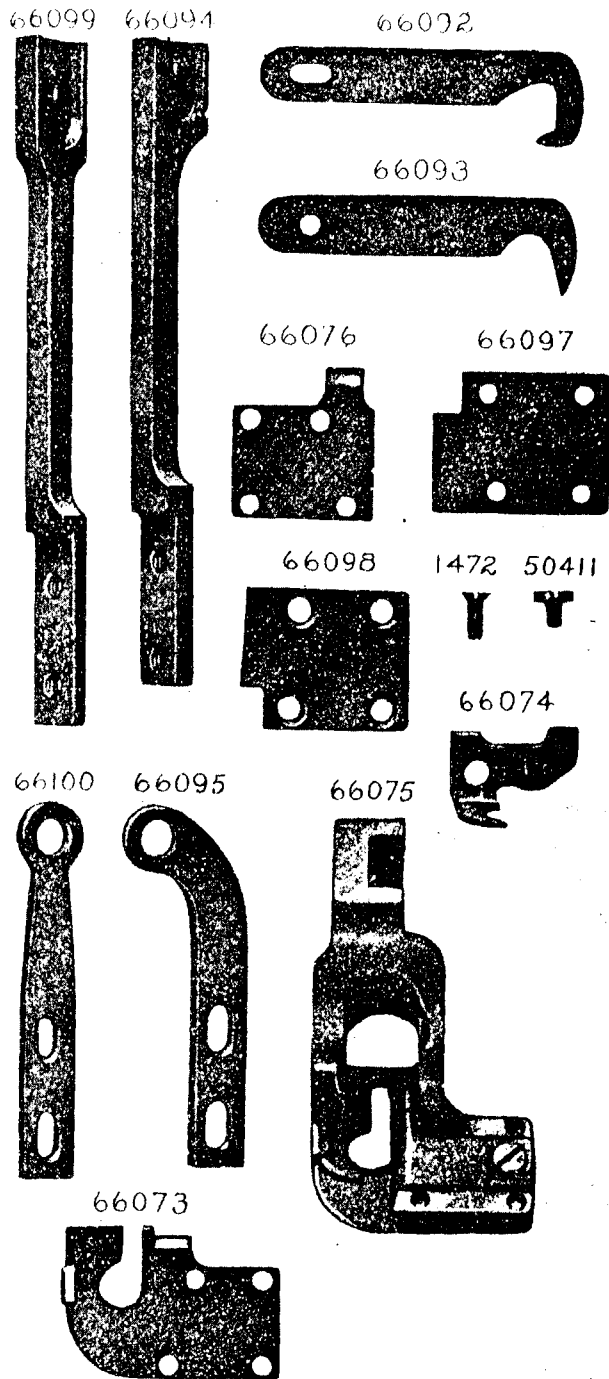


PLATE 1475—FULL SIZE

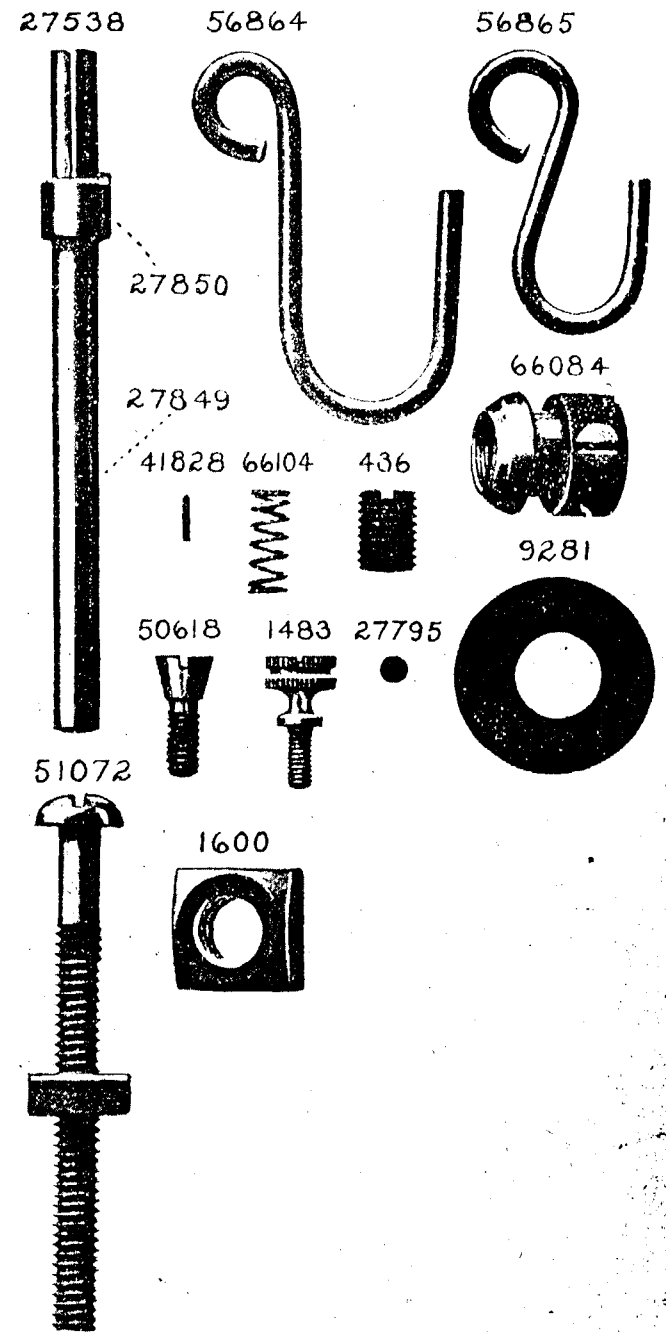


PLATE 7233—ONE-FOURTH SIZE

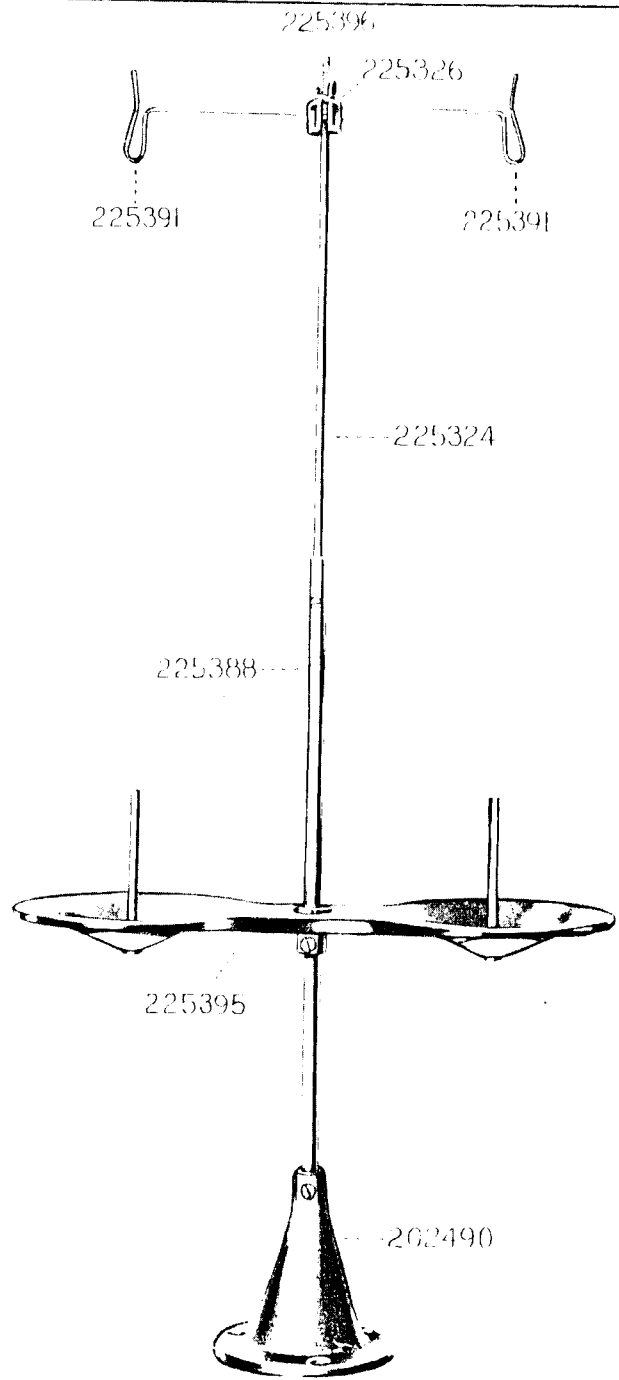


PLATE 7234—ONE-HALF SIZE

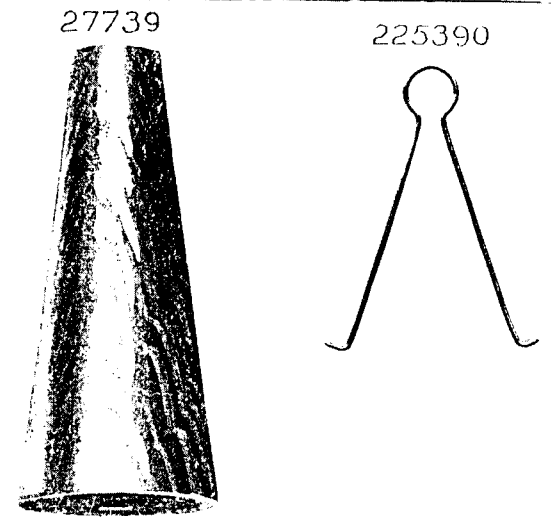


PLATE 7241—ONE-NINTH SIZE

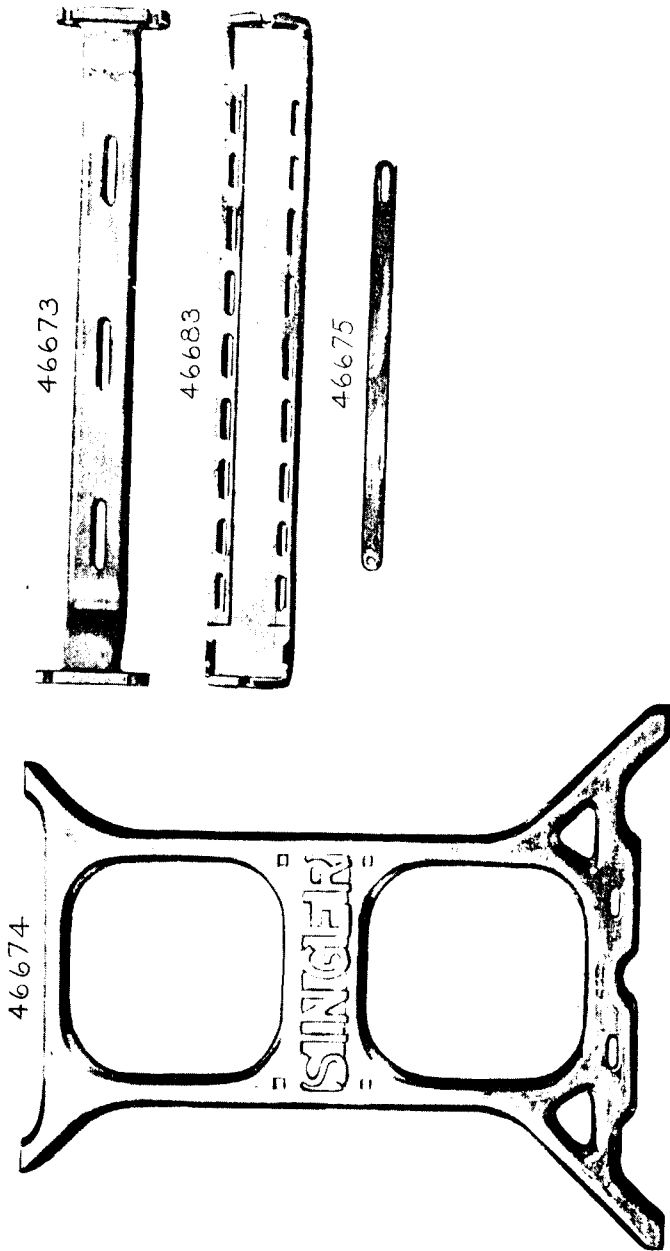


PLATE 7242—ONE-HALF SIZE

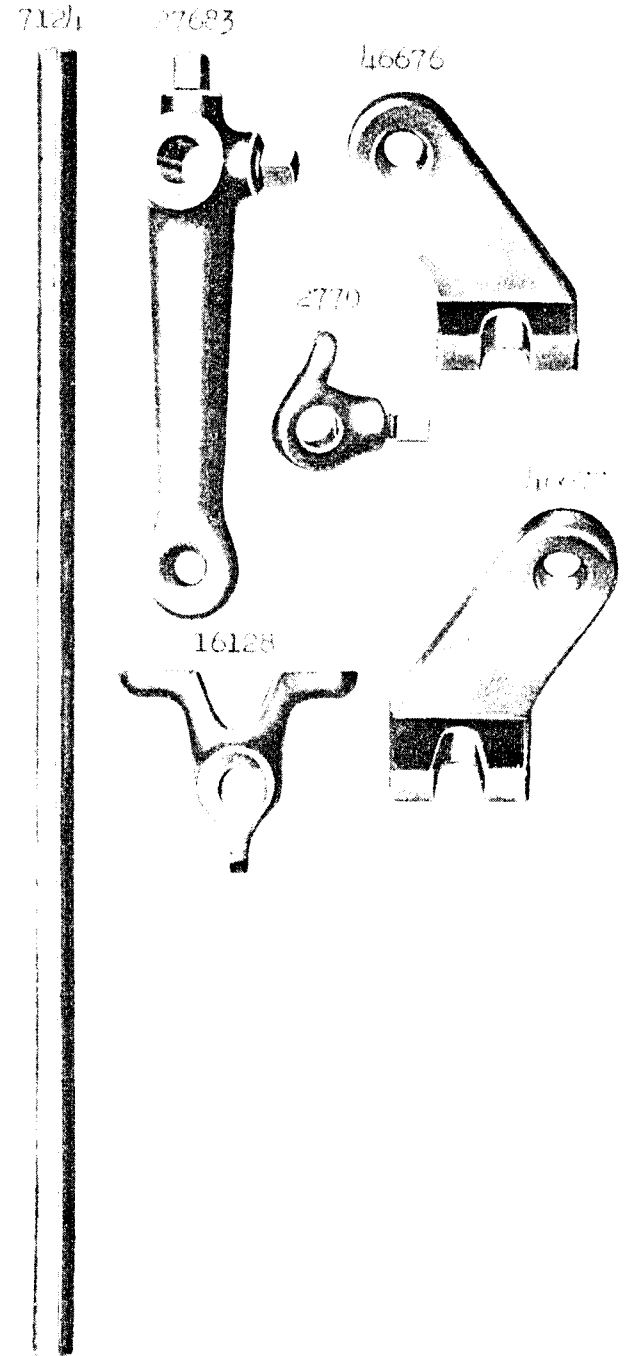
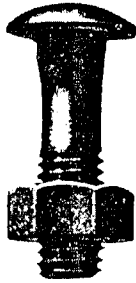


PLATE 7243—FULL SIZE

51009



50606



51083



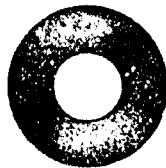
51088



1510



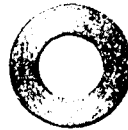
9842



356



2018



67425

